

 **BOEING**
COMPONENT
MAINTENANCE MANUAL

TO: ALL HOLDERS OF OUTBOARD OVERHEAD STOWAGE BIN ASSEMBLY COMPONENT MAINTENANCE
MANUAL 25-28-14

REVISION NO. 4 DATED JAN 01/91

HIGHLIGHTS

Pages which have been added or revised are outlined below together with the highlights of the revision. Remove and insert the affected pages as listed and enter revision No. and date to the Record of Revision Sheet.

CHAPTER/SECTION

AND PAGE NO.

DESCRIPTION OF CHANGE

TITLE PAGE

Added top assemblies 413T1002-291, -292, -293, -294, -337, and -338. Deleted 413T1002-18 moisture barrier per PRR B11150. Deleted -100 top assembly.

1

TR & SB RECORD

Incorporated Service Bulletin 25-78.

1

301

501

REPAIR 1-1

601

REPAIR 1-2

601

REPAIR 3-1

601

REPAIR 3-2

601

REPAIR 5-1

601

REPAIR 6-1

601

REPAIR 7-1

601-603,606-607

701-704,706,

708-709

1002-1005,1007-1041,

1043-1082T,1082W-1082Y,

1084-1086Q

REPAIR 5-1

Updated Fig. 2 assemblies, edited without technical change.

602

REPAIR 7-1

603-604

25-28-14

HIGHLIGHTS

01.1

Page 1

Jan 01/91

OUTBOARD OVERHEAD STOWAGE BIN ASSEMBLY

PART NUMBER 413T1002-81,-82,-99,-127,-128,-149,
-150,-155,-156,-169,-170,
-291 THRU -294,-337,-338

COMPONENT MAINTENANCE MANUAL
WITH
ILLUSTRATED PARTS LIST

25-28-14

TITLE PAGE

Page 1

Jan 01/91

01.1



REVISION RECORD

- Retain this record in front of manual. On receipt of revision, insert revised pages in the manual, and enter revision number, date inserted and initial.

REVISION NUMBER	REVISION DATE	DATE FILED	BY	REVISION NUMBER	REVISION DATE	DATE FILED	BY

44070

25-28-14

REVISION RECORD

01 Page 1

Jul 10/83

TEMPORARY REVISION AND SERVICE BULLETIN RECORD

BOEING SERVICE BULLETIN	BOEING TEMPORARY REVISION	OTHER DIRECTIVE	DATE OF INCORPORATION INTO MANUAL
25-78		PRRB10607 PRRVDC0089 PRRB10543 PRRB10286 PRRC12027-3 PRRB11150 PRRB11533	JUL 10/82 JUL 10/82 JUL 10/82 OCT 10/83 OCT 10/84 JAN 01/91 JAN 01/91

25-28-14

TR & SB RECORD

01.1

Page 1

Jan 01/91

PAGE	DATE	CODE	PAGE	DATE	CODE
25-28-14			REPAIR-GENERAL		CONT.
			604	BLANK	
TITLE PAGE			REPAIR 1-1		
*1	JAN 01/91	01.1	*601	JAN 01/91	01.1
2	BLANK		602	BLANK	
REVISION RECORD			REPAIR 1-2		
1	JUL 10/83	01	*601	JAN 01/91	01.1
2	BLANK		602	BLANK	
TR & SB RECORD			REPAIR 2-1		
*1	JAN 01/91	01.1	601	JUL 10/83	01
2	BLANK		602	BLANK	
LIST OF EFFECTIVE PAGES			REPAIR 2-2		
*1	JAN 01/91	01	601	JUL 10/83	01.1
THRU LAST PAGE			602	BLANK	
CONTENTS			REPAIR 3-1		
1	JUL 10/83	01	*601	JAN 01/91	01.1
2	BLANK		602	BLANK	
INTRODUCTION			REPAIR 3-2		
1	JUL 10/83	01.1	*601	JAN 01/91	01.1
2	BLANK		602	BLANK	
DESCRIPTION & OPERATION			REPAIR 4-1		
1	JUL 10/83	01	601	JUL 10/83	01
2	BLANK		602	BLANK	
DISASSEMBLY			REPAIR 4-2		
*301	JAN 01/91	01.1	601	JUL 10/83	01.1
302	OCT 10/84	01.1	602	BLANK	
CHECK			REPAIR 5-1		
*501	JAN 01/91	01.1	*601	JAN 01/91	01.1
502	BLANK		*602	JAN 01/91	01.1
REPAIR-GENERAL			REPAIR 6-1		
601	JUL 10/83	01	*601	JAN 01/91	01.1
602	JUL 10/83	01	602	BLANK	
603	JUL 10/83	01			

* = REVISED, ADDED OR DELETED

25-28-14

EFFECTIVE PAGES
CONTINUED Page 1
01 Jan 01/91

PAGE	DATE	CODE	PAGE	DATE	CODE
REPAIR 6-2			ILLUSTRATED PARTS LIST		CONT.
601	JUL 10/83	01.1	*1017	JAN 01/91	01.1
602	BLANK		*1018	JAN 01/91	01.1
REPAIR 7-1			*1019	JAN 01/91	01.1
*601	JAN 01/91	01.1	*1020	JAN 01/91	01.1
*602	JAN 01/91	01.1	*1021	JAN 01/91	01.1
*603	JAN 01/91	01.1	*1022	JAN 01/91	01.1
*604	JAN 01/91	01.1	*1023	JAN 01/91	01.1
605	OCT 10/84	01.101	*1024	JAN 01/91	01.1
*606	JAN 01/91	01.1	*1025	JAN 01/91	01.1
*607	JAN 01/91	01.1	*1026	JAN 01/91	01.1
608	BLANK		*1027	JAN 01/91	01.1
ASSEMBLY			*1028	JAN 01/91	01.1
*701	JAN 01/91	01.1	*1029	JAN 01/91	01.1
*702	JAN 01/91	01.1	*1030	JAN 01/91	01.1
*703	JAN 01/91	01.1	*1031	JAN 01/91	01.1
*704	JAN 01/91	01.1	*1032	JAN 01/91	01.1
*705	JAN 01/91	01.101	*1033	JAN 01/91	01.1
*706	JAN 01/91	01.1	*1034	JAN 01/91	01.1
*707	JAN 01/91	01.101	*1035	JAN 01/91	01.1
*708	JAN 01/91	01.1	*1036	JAN 01/91	01.1
*709	JAN 01/91	01.1	*1037	JAN 01/91	01.1
*710	BLANK		*1038	JAN 01/91	01.1
ILLUSTRATED PARTS LIST			*1039	JAN 01/91	01.1
1001	JUL 10/83	01	*1040	JAN 01/91	01.1
*1002	JAN 01/91	01.1	*1041	JAN 01/91	01.1
*1003	JAN 01/91	01.1	*1042	BLANK	
*1004	JAN 01/91	01.1	*1043	JAN 01/91	01.1
*1005	JAN 01/91	01.1	*1044	JAN 01/91	01.1
*1006	JAN 01/91	01.1	*1045	JAN 01/91	01.1
*1007	JAN 01/91	01.1	*1046	JAN 01/91	01.1
*1008	JAN 01/91	01.1	*1047	JAN 01/91	01.1
*1009	JAN 01/91	01.1	*1048	JAN 01/91	01.1
*1010	JAN 01/91	01.1	*1049	JAN 01/91	01.1
*1011	JAN 01/91	01.1	*1050	JAN 01/91	01.1
*1012	JAN 01/91	01.1	*1051	JAN 01/91	01.1
*1013	JAN 01/91	01.1	*1052	JAN 01/91	01.1
*1014	JAN 01/91	01.1	*1053	JAN 01/91	01.1
*1015	JAN 01/91	01.1	*1054	JAN 01/91	01.1
*1016	JAN 01/91	01.1	*1055	JAN 01/91	01.1
			*1056	JAN 01/91	01.1
			*1057	JAN 01/91	01.1
			*1058	JAN 01/91	01.1

* = REVISED, ADDED OR DELETED

25-28-14

 EFFECTIVE PAGES
 CONTINUED Page 2
 01 Jan 01/91

PAGE	DATE	CODE	PAGE	DATE	CODE
ILLUSTRATED PARTS LIST		CONT.	ILLUSTRATED PARTS LIST		CONT.
*1059	JAN 01/91	01.1	*1080U	JAN 01/91	01.1
*1060	JAN 01/91	01.1	*1080V	JAN 01/91	01.1
*1061	JAN 01/91	01.1	*1080W	JAN 01/91	01.1
*1062	JAN 01/91	01.1	*1080X	JAN 01/91	01.1
*1063	JAN 01/91	01.1	*1080Y	JAN 01/91	01.1
*1064	JAN 01/91	01.1	*1080Z	JAN 01/91	01.1
*1065	JAN 01/91	01.1	*1081	JAN 01/91	01.1
*1066	JAN 01/91	01.1	*1082	JAN 01/91	01.1
*1067	JAN 01/91	01.1	*1082A	JAN 01/91	01.1
*1068	JAN 01/91	01.1	*1082B	JAN 01/91	01.1
*1069	JAN 01/91	01.1	*1082C	JAN 01/91	01.1
*1070	JAN 01/91	01.1	*1082D	JAN 01/91	01.1
*1071	JAN 01/91	01.1	*1082E	JAN 01/91	01.1
*1072	JAN 01/91	01.1	*1082F	JAN 01/91	01.1
*1073	JAN 01/91	01.1	*1082G	JAN 01/91	01.1
*1074	JAN 01/91	01.1	*1082H	JAN 01/91	01.1
*1075	JAN 01/91	01.1	*1082I	JAN 01/91	01.1
*1076	JAN 01/91	01.1	*1082J	JAN 01/91	01.1
*1077	JAN 01/91	01.1	*1082K	JAN 01/91	01.1
*1078	JAN 01/91	01.1	*1082L	JAN 01/91	01.1
*1079	JAN 01/91	01.1	*1082M	JAN 01/91	01.1
*1080	JAN 01/91	01.1	*1082N	JAN 01/91	01.1
*1080A	JAN 01/91	01.1	*1082O	JAN 01/91	01.1
*1080B	JAN 01/91	01.1	*1082P	JAN 01/91	01.1
*1080C	JAN 01/91	01.1	*1082Q	JAN 01/91	01.1
*1080D	JAN 01/91	01.1	*1082R	JAN 01/91	01.1
*1080E	JAN 01/91	01.1	*1082S	JAN 01/91	01.1
*1080F	JAN 01/91	01.1	*1082T	JAN 01/91	01.1
*1080G	JAN 01/91	01.1	*1082U	JAN 01/91	01.1
*1080H	JAN 01/91	01.1	*1082V	JAN 01/91	01.1
*1080I	JAN 01/91	01.1	*1082W	JAN 01/91	01.1
*1080J	JAN 01/91	01.1	*1082X	JAN 01/91	01.1
*1080K	JAN 01/91	01.1	*1082Y	JAN 01/91	01.1
*1080L	JAN 01/91	01.1	*1082Z	JAN 01/91	01.1
*1080M	JAN 01/91	01.1	*1083	JAN 01/91	01.1
*1080N	JAN 01/91	01.1	*1084	JAN 01/91	01.1
*1080O	JAN 01/91	01.1	*1084A	JAN 01/91	01.1
*1080P	JAN 01/91	01.1	*1084B	JAN 01/91	01.1
*1080Q	JAN 01/91	01.1	*1084C	JAN 01/91	01.1
*1080R	JAN 01/91	01.1	*1084D	JAN 01/91	01.1
*1080S	JAN 01/91	01.1	*1084E	JAN 01/91	01.1
*1080T	JAN 01/91	01.1	*1084F	JAN 01/91	01.1

* = REVISED, ADDED OR DELETED

25-28-14

EFFECTIVE PAGES
CONTINUED Page 3
01 Jan 01/91

PAGE	DATE	CODE	PAGE	DATE	CODE
ILLUSTRATED	PARTS LIST	CONT.			
*1084G	JAN 01/91	01.1			
*1084H	JAN 01/91	01.1			
*1084I	JAN 01/91	01.1			
*1084J	JAN 01/91	01.1			
*1084K	JAN 01/91	01.1			
*1084L	JAN 01/91	01.1			
*1084M	JAN 01/91	01.1			
*1084N	JAN 01/91	01.1			
*1084O	JAN 01/91	01.1			
*1084P	JAN 01/91	01.1			
*1084Q	JAN 01/91	01.1			
*1084R	JAN 01/91	01.1			
*1084S	JAN 01/91	01.1			
*1084T	JAN 01/91	01.1			
*1084U	JAN 01/91	01.1			
*1084V	JAN 01/91	01.1			
*1084W	JAN 01/91	01.1			
*1084X	JAN 01/91	01.1			
*1084Y	JAN 01/91	01.1			
*1084Z	JAN 01/91	01.1			
*1085	JAN 01/91	01.1			
*1086	JAN 01/91	01.1			
*1086A	JAN 01/91	01.1			
*1086B	JAN 01/91	01.1			
*1086C	JAN 01/91	01.1			
*1086D	JAN 01/91	01.1			
*1086E	JAN 01/91	01.1			
*1086F	JAN 01/91	01.1			
*1086G	JAN 01/91	01.1			
*1086H	JAN 01/91	01.1			
*1086I	JAN 01/91	01.1			
*1086J	JAN 01/91	01.1			
*1086K	JAN 01/91	01.1			
*1086L	JAN 01/91	01.1			
*1086M	JAN 01/91	01.1			
*1086N	JAN 01/91	01.1			
*1086O	JAN 01/91	01.1			
*1086P	JAN 01/91	01.1			
*1086Q	JAN 01/91	01.1			
*1086R	BLANK				

* = REVISED, ADDED OR DELETED

25-28-14

EFFECTIVE PAGES
 LAST PAGE Page 4
 01 Jan 01/91



TABLE OF CONTENTS

<u>Paragraph Title</u>	<u>Page</u>
Description and Operation	1
Testing and Trouble Shooting (not applicable)	
Disassembly	301
Cleaning. * [1]	
Check	501
Repair.	601
Assembly.	701
Fits and Clearances (not applicable).	
Special Tools, Fixtures, and Equipment (not applicable)	
Illustrated Parts List.	1001

* [1] Special instructions not required. Use standard industry practices.

INTRODUCTION

The instructions in this manual provide the information necessary to perform maintenance functions ranging from simple checks and replacement to complete shop-type repair.

This manual is divided into separate sections:

- | | |
|--|------------------------------|
| 1. Title Page | 4. List of Effective Pages |
| 2. Record of Revisions | 5. Table of Contents |
| 3. Temporary Revision &
Service Bulletin Record | 6. Introduction |
| | 7. Procedures & IPL Sections |

Refer to the Table of Contents for the page location of applicable sections. An asterisked flagnote *[] in place of the page number indicates that no special instructions are provided since the function can be performed using standard industry practices.

The beginning of the REPAIR section includes a list of the separate repairs, a list of applicable standard Boeing practices, and an explanation of the True Position Dimensioning symbols used.

An explanation of the use of the Illustrated Parts List is provided in the Introduction to that section.

All weights and measurements used in the manual are in English units, unless otherwise stated. When metric equivalents are given they will be in parentheses following the English units.

Design changes, optional parts, configuration differences and Service Bulletin modifications create alternate part numbers. These are identified in the Illustrated Parts List (IPL) by adding an alphabetical character to the basic item number. The resulting item number is called an alpha-variant. Throughout the manual, IPL basic item number references also apply to alpha-variants unless otherwise indicated.

Verification:

Dissassembly	Feb 1/83
Assembly	Feb 1/83

25-28-14

INTRODUCTION

01.1

Page 1

Jul 10/83

OUTBOARD OVERHEAD STOWAGE BIN ASSEMBLY - DESCRIPTION AND OPERATION

1. Description and Operation

- A. The outboard overhead stowage bin assy consists of a bin assy and supporting hardware, a door and latch assy, and a rail assy to attach a passenger service unit to the lower surface. Access to the bin interior is gained by unlatching the door and swinging it out and up.

2. Leading Particulars (approximate)

Length -- 44 in.
Height -- 19 in.
Width -- 25 in.
Weight -- TBD

25-28-14

DESCRIPTION & OPERATION

01

Page 1

Jul 10/83

DISASSEMBLY

CAUTION: PARTS OF STOWAGE BIN ASSY ARE VISIBLE FROM CABIN INTERIOR. SPECIAL CARE MUST BE TAKEN TO PREVENT MARRING VISIBLE SURFACES.

NOTE: Disassemble component only as necessary to complete fault isolation, determine serviceability of parts, perform required repairs, and restore unit to serviceable condition.

1. Disassemble 413T1002-81, -82, -127, -128, -169, -170, -291, -292, -293, -294, -337, -338 Assemblies (IPL Fig. 1)

- A. Use standard industry practices and the following steps for disassembly.
- B. Unlatch and open door assembly. Remove screws (198), and washers (200A), and door assembly.
- C. Remove screws (195) and hinge assys (190, 192).
- D. Disassemble hinge assys (190, 192).

NOTE: Do not remove bushings (240, 242, 255, 278, 290, 292) unless necessary for repair or replacement.

- (1) Remove housing assy (205) and door (214) by removing bolts (206, 207).
- (2) Remove screws (343), spring support assy (302), and receptacle assy (342).
- (3) Remove screws (265), washers (268), nuts (270), and bracket (272).
- (4) Remove upper arm assy (275) by removing screw (220), roller (225), and washer (223).
- (5) Remove cam follower assy (250, 252) by first removing screw (222), rollers (225, 228) and washer (223) then screw (283) and washers (284).
- (6) Remove lower arm assy (288) by withdrawing shaft (285).
- (7) Remove actuator assy (232) from gas spring assy (345) by removing screw (298).

25-28-14

DISASSEMBLY

01.1

Page 301

Jan 01/91

2. Disassemble 413T1002-99, -100, -149, -150, -155, -156 Assemblies
(IPL Fig. 2)

CAUTION: PARTS OF STOWAGE BIN ASSY ARE VISIBLE FROM CABIN INTERIOR. SPECIAL CARE MUST BE TAKEN TO PREVENT MARRING VISIBLE SURFACES.

- A. Use standard industry practices and the following steps for disassembly.
- B. Unlatch and open door assy. Remove screws (252), and washers (255), and door assy.
- C. Remove screws (249) and hinge assys (243, 246).
- D. Disassemble hinge assys (243, 246).

NOTE: Do not remove bushings (315, 318, 333, 360, 381, 384) unless necessary for repair or replacement.

- (1) Remove housing assy (264, 267) and door (282) by removing bolts (270, 272).
- (2) Remove screws (390), spring support assy (393, 396), and receptacle assy (427).
- (3) Remove screws (345), washers (348), nuts (351), and bracket (354).
- (4) Remove upper arm assy (357) by removing screw (291), roller (300), and washer (297).
- (5) Remove cam follower assy (327, 330) by first removing screw (294), rollers (300, 303) and washer (297) then screw (369) and washers (372).
- (6) Remove lower arm assy (378) by withdrawing shaft (375).
- (7) Remove actuator assy (306, 309) from gas spring assy (436) by removing screw (390).

25-28-14

DISASSEMBLY

01.1

Page 302

Oct 10/84

CHECK

1. Check all parts for obvious defects in accordance with standard industry practices.
2. Magnetic particle check per 20-20-01 or penetrant check per 20-20-02 as indicated in Fig. 501.

IPL FIGURE AND ITEM NO.	CHECK
Figure 1 Nut (532) Sleeve (535) Bracket (272) Fittings (25,28,29,60, 62,458,459,460,461,470, 471,471A,472,474,474C, 760)	Magnetic Magnetic Penetrant Penetrant
Figure 2 Nut (733) Sleeve (736) Bracket (354) Fittings (36,39)	Magnetic Magnetic Penetrant Penetrant

Figure 501

25-28-14

CHECK

01.1

Page 501

Jan 01/91

REPAIR – GENERAL

1. Contents

- A. Repair, replacement, and refinish procedures are included in separate sections, as listed.

<u>P/N</u>	<u>NAME</u>	<u>REPAIR</u>
413T1020	UPPER ARM ASSY	1-1; 1-2
413T1021	LOWER ARM ASSY	2-1; 2-2
413T1022	CAM FOLLOWER ASSY	3-1; 3-2
413T1023	ACTUATOR ASSY	4-1; 4-2
412T3108	FITTING ASSY	5-1
412T3109	FITTING ASSY	5-1
412T2013	FITTING ASSY	5-1
412T2014	FITTING ASSY	6-1; 6-2
--	MISCELLANEOUS PARTS REFINISH	7-1

2. Standard Practices

- A. Refer to the following standard practices, as applicable, for details of procedures in individual repairs.

20-30-02	Stripping of Protective Finishes
20-30-03	General Cleaning Procedures
20-41-01	Decoding Table for Boeing Finish Codes
20-41-02	Application of Chemical and Solvent Resistant Finishes
20-41-04	Application and Repair of Interior Decorative Finishes
20-42-05	Bright Cadmium Plating
20-43-01	Chromic Acid Anodizing
20-50-03	Bearing Installation and Retention
20-50-08	Application of Dry Lubricants

25-28-14

REPAIR-GENERAL

01

Page 601

Jul 10/83

3. Materials

NOTE: Equivalent substitutes may be used.

- A. Lubricant, dry film -- BMS 3-8 (Ref 20-60-03)
- B. Primer -- BMS 10-11, type 1 (Ref 20-60-02)
- C. Primer -- BMS 10-83, type 1 (Ref 20-60-02)
- D. Enamel -- BMS 10-83, type 2 (Ref 20-60-02)
- E. Enamel -- BMS 10-78 (Ref 20-60-02)
- F. Water Emulsion Paint -- BMS 10-55 (Ref 20-60-02)
- G. Sealant -- BMS 5-95 (Ref 20-60-04)

25-28-14

REPAIR-GENERAL

01 Page 602

Jul 10/83

4. Dimensioning Symbols

A. Standard True Position Dimensioning Symbols used in applicable repair procedures are shown in Fig. 601.

—	STRAIGHTNESS	\oplus	THEORETICAL EXACT POSITION OF A FEATURE (TRUE POSITION)
\square	FLATNESS	\varnothing	DIAMETER
\perp	PERPENDICULARITY (OR SQUARENESS)	BASIC (BSC) OR	A THEORETICALLY EXACT DIMENSION USED TO DESCRIBE SIZE, SHAPE OR LOCATION OF A FEATURE FROM WHICH PERMISSIBLE VARIATIONS ARE ESTABLISHED BY TOLERANCES ON OTHER DIMENSIONS OR NOTES.
//	PARALLELISM	DIM	
\bigcirc	ROUNDNESS	-A-	DATUM
\bigcirc	CYLINDRICITY	\textcircled{M}	MAXIMUM MATERIAL CONDITION (MMC)
\frown	PROFILE OF A LINE	\textcircled{S}	REGARDLESS OF FEATURE SIZE (RFS)
\triangle	PROFILE OF A SURFACE	\textcircled{P}	PROJECTED TOLERANCE ZONE
\odot	CONCENTRICITY		
\equiv	SYMMETRY		
\sphericalangle	ANGULARITY		
\nearrow	RUNOUT		

EXAMPLES

$\boxed{\text{—} \quad 0.002}$	STRAIGHT WITHIN 0.002	$\boxed{\textcircled{\text{C}} \quad \varnothing \quad 0.0005}$	CONCENTRIC TO C WITHIN 0.0005 DIAMETER (FULL INDICATOR MOVEMENT)
$\boxed{\perp \quad B \quad 0.002}$	PERPENDICULAR TO B WITHIN 0.002	$\boxed{\equiv \quad A \quad 0.010}$	SYMMETRICAL WITH A WITHIN 0.010
$\boxed{\parallel \quad A \quad 0.002}$	PARALLEL TO A WITHIN 0.002	$\boxed{\sphericalangle \quad A \quad 0.005}$	ANGULAR TOLERANCE 0.005 WITH A
$\boxed{\bigcirc \quad 0.002}$	ROUND WITHIN 0.002	$\boxed{\oplus \quad B \quad \varnothing \quad 0.002 \quad \textcircled{S}}$	LOCATED AT TRUE POSITION WITHIN 0.002 DIA IN RELATION TO DATUM B, REGARDLESS OF FEATURE SIZE
$\boxed{\bigcirc \quad 0.010}$	CYLINDRICAL SURFACE MUST LIE BETWEEN TWO CONCENTRIC CYLINDERS, ONE OF WHICH HAS A RADIUS 0.010 INCH GREATER THAN THE OTHER	$\boxed{\perp \quad A \quad \varnothing \quad 0.010 \quad \textcircled{M} \quad 0.510 \quad \textcircled{P}}$	AXIS IS TOTALLY WITHIN A CYLINDER OF 0.010-INCH DIAMETER, PERPENDICULAR TO, AND EXTENDING 0.510-INCH ABOVE, DATUM A, MAXIMUM MATERIAL CONDITION
$\boxed{\frown \quad A \quad 0.006}$	EACH LINE ELEMENT OF THE SURFACE AT ANY CROSS SECTION MUST LIE BETWEEN TWO PROFILE BOUNDARIES 0.006 INCH APART IN RELATION TO DATUM PLANE A	$\boxed{2.000}$	EXACT DIMENSION IS 2.000
$\boxed{\triangle \quad A \quad 0.020}$	SURFACES MUST LIE WITHIN PARALLEL BOUNDARIES 0.02 INCH APART AND EQUALLY DISPOSED ABOUT TRUE PROFILE	OR 2.000 BSC	

True Position Dimensioning Symbols
Figure 601

25-28-14

REPAIR-GENERAL

01

Page 603

Jul 10/83

UPPER ARM ASSEMBLY - REPAIR 1-1
413T1020-1, -4

NOTE: Refer to REPAIR-GEN for list of applicable standard practices.

1. Bushing Replacement (IPL Fig. 1 and 2)

A. Remove bushings.

B. Install bushings (278, Fig. 1; 360, Fig. 2) per 20-50-03.

- (1) Coat ID of hole and OD of bushing with BMS 10-11, type 1 primer and press bushings into arm (275, 276, Fig. 1; 357, Fig. 2) while primer is wet.
- (2) Fillet seal bushing flange to arm using BMS 5-95 sealant.
- (3) Fill gap between bushings with BMS 5-95 sealant. Remove excess sealant from inner surface of bushings.

25-28-14

REPAIR 1-1

01.1

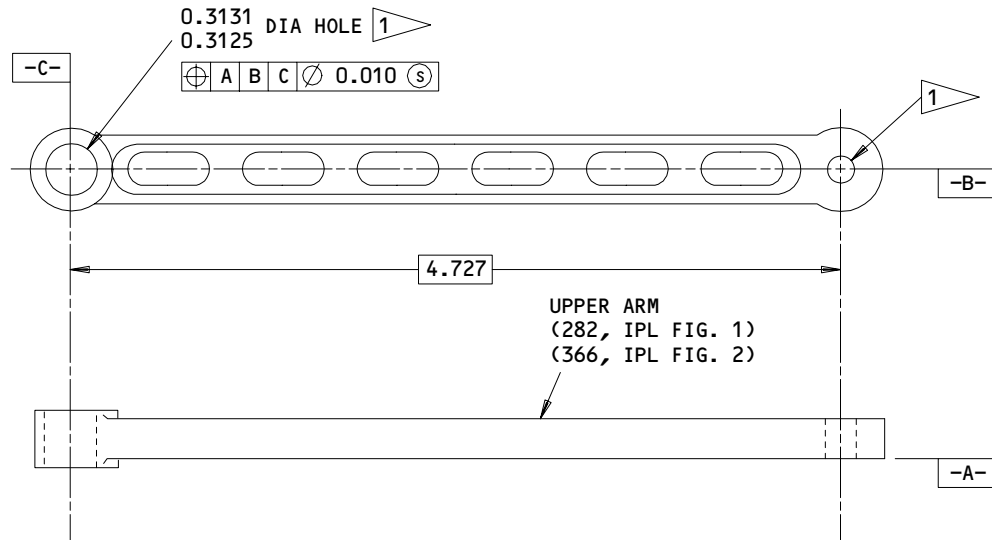
Page 601

Jan 01/91

UPPER ARM - REPAIR 1-2
413T1020-2, -5

1. Refinish

NOTE: Repair consists of stripping and restoring original finish. Refer to Figure 601 for refinish procedures and to REPAIR-GEN for list of applicable standard practices.



REFINISH

TREAT SURFACES PER MIL-C-5541 (COLORED FILM).
APPLY 1 COAT BMS 10-11, TYPE 1 PRIMER (F-18.05).
APPLY BMS 10-83, TYPE 1 PRIMER AND TYPE 2
ENAMEL (F-22.05-7362).

1 OMIT PRIMER AND ENAMEL FROM HOLE.

ALL DIMENSIONS ARE IN INCHES

Upper Arm Repair
Figure 601

45223

25-28-14

REPAIR 1-2

01.1

Page 601

Jan 01/91

LOWER ARM ASSY - REPAIR 2-1
413T1021-1

NOTE: Refer to REPAIR-GEN for list of applicable standard practices.

1. Bushing Replacement (IPL Fig. 1 and 2)

A. Remove bushings.

B. Install bushings (290, 292, Fig. 1; 381, 384, Fig. 2) per 20-50-03.

- (1) Coat ID of holes and OD of bushings with BMS 10-11, type 1 primer. Press bushings (290, Fig. 1; 381, Fig. 2) into end holes and bushing (292, Fig. 1; 387, Fig. 2) into center hole of arm (295, Fig. 1; 387, Fig. 2) while primer is wet.
- (2) Fillet seal bushing flanges to arm with BMS 5-95 sealant.
- (3) Fill gap between bushings (290, Fig. 1; 381, Fig. 2) with BMS 5-95 sealant. Remove excess sealant from inner surface of bushing.

25-28-14

REPAIR 2-1

01

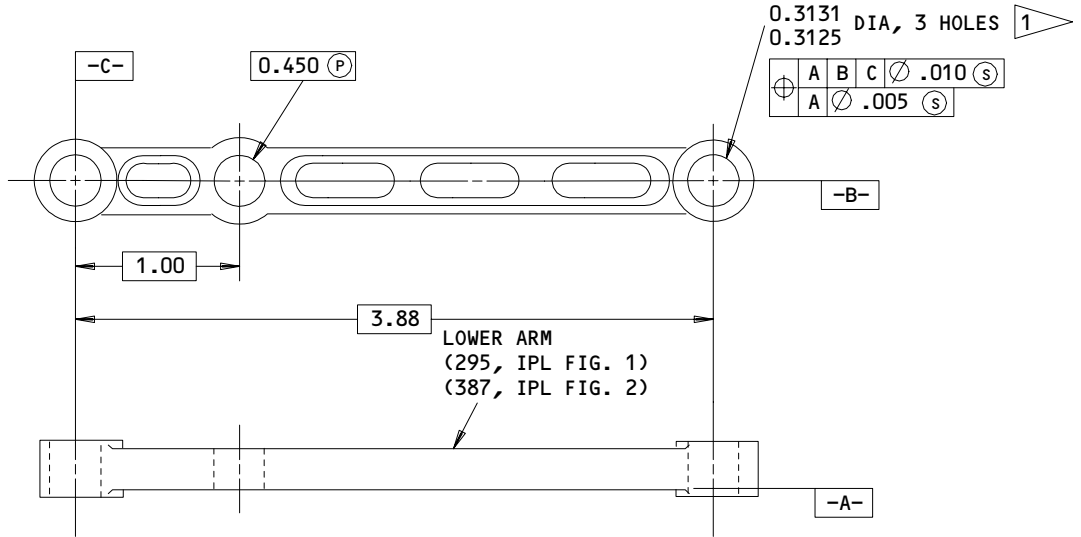
Page 601

Jul 10/83

LOWER ARM - REPAIR 2-2
413T1021-2

1. Refinish

NOTE: Repair consists of stripping and restoring original finish. Refer to Figure 601 for refinish procedures and to REPAIR-GEN for list of applicable standard practices.



REFINISH

TREAT SURFACES PER MIL-C-5541 (COLORED FILM).
OR MIL-A-8625 (CHROMIC ACID ANODIZE).
APPLY 1 COAT BMS 10-11, TYPE 1 PRIMER (F-18.05).
APPLY BMS 10-83, TYPE 1 PRIMER AND TYPE 2
ENAMEL (F-22.05-7362).

1 OMIT PRIMER AND ENAMEL FROM HOLE.

ALL DIMENSIONS ARE IN INCHES

Lower Arm Repair
Figure 601

45222

25-28-14

REPAIR 2-2

01.1

Page 601

Jul 10/83

CAM FOLLOWER ASSEMBLY - REPAIR 3-1
413T1022-7, -8, -11, -12, -19, -20

NOTE: Refer to REPAIR-GEN for list of applicable standard practices.

1. Bushing Replacement (IPL Fig. 1 and 2)

A. Remove bushings.

B. Coat ID of hole and OD of bushing (255, Fig. 1; 333, Fig. 2) with BMS 10-11, type 1 primer and press bushing into cam follower (260, 261, 262, 263, 263A, 263B, Fig. 1; 339, 342, Fig. 2) while primer is wet per 20-50-03.

25-28-14

REPAIR 3-1

01.1

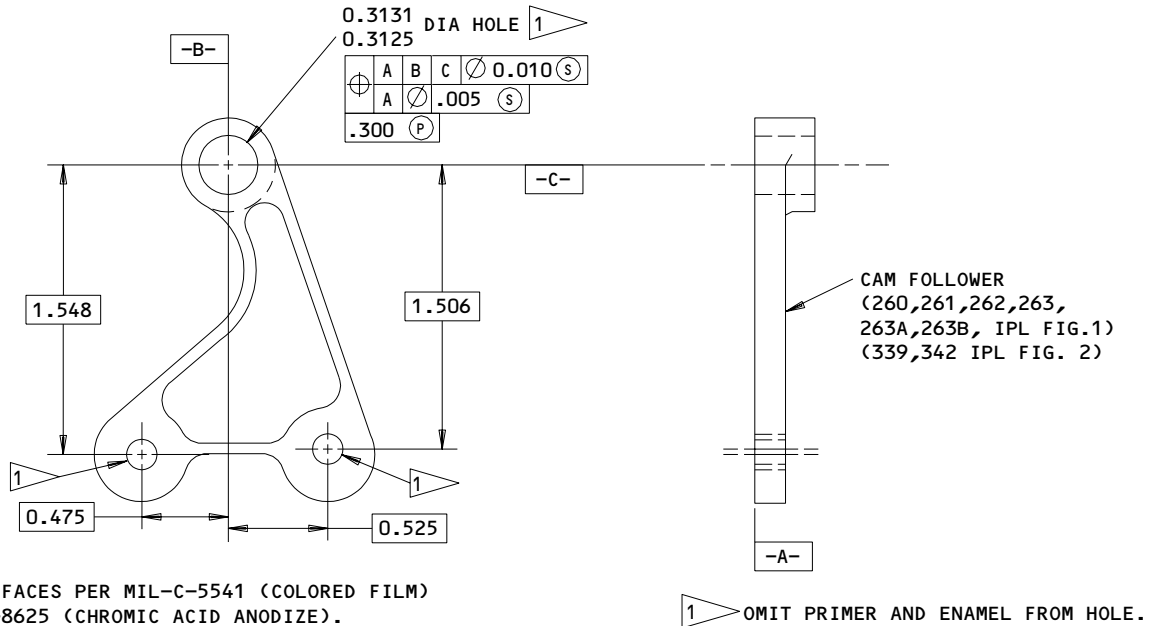
Page 601

Jan 01/91

CAM FOLLOWER – REPAIR 3-2
413T1022-9, -10

1. Refinish

NOTE: Repair consists of stripping and restoring original finish. Refer to Figure 601 for refinish procedures and to REPAIR-GEN for list of applicable standard practices.



REFINISH

TREAT SURFACES PER MIL-C-5541 (COLORED FILM) OR MIL-A-8625 (CHROMIC ACID ANODIZE).
APPLY 1 COAT BMS 10-11, TYPE 1 PRIMER (F-18.05).
APPLY BMS 10-23, TYPE 1 PRIMER AND TYPE 2 ENAMEL (F-22.05-7362).

ALL DIMENSIONS ARE IN INCHES

Cam Follower Repair
Figure 601

45217

25-28-14

REPAIR 3-2

01.1

Page 601

Jan 01/91

ACTUATOR ASSY - REPAIR 4-1
413T1023-1, -2

NOTE: Refer to REPAIR-GEN for list of applicable standard practices.

1. Bushing Replacement (IPL Fig. 1 and 2)

A. Remove bushings.

B. Install bushings (240, 242, Fig. 1; 315, 318, Fig. 2) per 20-50-03.

- (1) Coat ID of hole and OD of bushing with BMS 10-11, type 1 primer. Press bushings into actuator (245, 248, Fig. 1; 321, 324, Fig. 2) while primer is wet.
- (2) Fillet seal bushing flange to actuator with BMS 5-95 sealant.

25-28-14

REPAIR 4-1

01

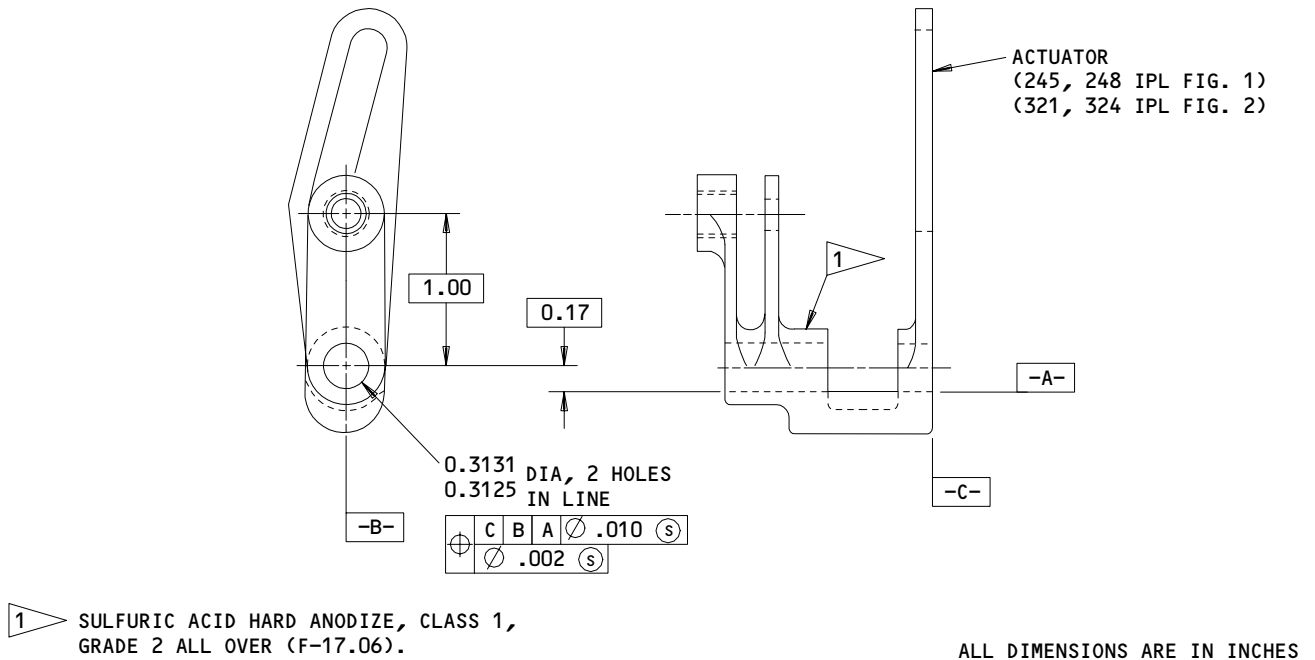
Page 601

Jul 10/83

ACTUATOR – REPAIR 4-2
413T1023-3, -4

1. Refinish

NOTE: Repair consists of stripping and restoring original finish. Refer to Figure 601 for refinish procedures and to REPAIR-GEN for list of applicable standard practices.



Actuator Repair
Figure 601

45218

25-28-14

REPAIR 4-2

01.1

Page 601

Jul 10/83

FITTING ASSY - REPAIR 5-1
412T3108-3, -4, -5, -6
412T3109-3, -4, -5, -6, -9,
-10 -23, -24, -29, -30
412T2013-23, -24, -27, -29

NOTE: Refer to REPAIR-GEN for list of applicable standard practices.

1. Bushing Replacement (IPL Fig. 1)

A. Remove bushings.

B. Insert bushings (22A, 23, 24, 55, 58, 452, 453, 468, 469R, 693A, 756) per 20-50-03.

(1) Coat ID of hole and OD of bushing with BMS 10-11, type 1 primer and install bushing while primer is wet.

(a) Press bushings (22A) into fittings (25, 28).

(b) Press bushings (23, 24) into fitting (29).

(c) Press bushings (55, 58) into upper and lower holes respectively, in fittings (60, 62).

(d) Press bushing (452) into fittings (458, 460).

(e) Press bushing (453) into fittings (459, 461).

(f) Press bushing (468) into fittings (470, 472).

(g) Press bushing (693A) into fitting (696).

(h) Press bushing (469R) into fittings (463, 465).

25-28-14

REPAIR 5-1

01.1

Page 601

Jan 01/91

(i) Press bushing (756) into fittings (758, 760).

(2) Fillet seal bushing flange to fitting with BMS 5-95 sealant.

2. Bushing Replacement (IPL Fig. 2)

A. Remove bushings

B. Insert bushings (30, 33A, 51A, 72, 627, 652) per 20-50-03.

(1) Coat ID of hole and OD of bushing with BMS 10-11, type 1 primer and install bushing while primer is wet.

(a) Press bushings (30, 33A) into upper and lower holes respectively, in fitting (36 or 39).

(b) Press bushing (51A) into fitting (54).

(c) Press bushing (72) into fitting (75 or 78).

(d) Press bushing (627) into fitting (633A or 636).

(e) Press bushing (652) into fitting (655 or 658).

(2) Fillet seal bushing flange to fitting with BMS 5-95 sealant.

25-28-14

REPAIR 5-1

01.1

Page 602

Jan 01/91

FITTING ASSY – REPAIR 6-1
412T2014-1

NOTE: Refer to REPAIR-GEN for list of applicable standard practices.

1. Bushing Replacement (IPL Fig. 1 and 2)

A. Remove bushing.

B. Install bushing (351Q, Fig. 1; 451B, Fig. 2) per 20-50-03.

(1) Coat ID of hole and OD of bushing with BMS 10-11, type 1 primer and press bushing into fitting (353, Fig. 1; 454, Fig. 2) while primer is wet.

(2) Fillet seal bushing to fitting with BMS 5-95 sealant.

25-28-14

REPAIR 6-1

01.1

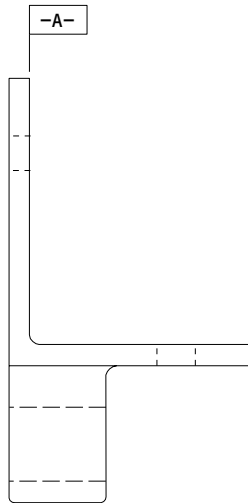
Page 601

Jan 01/91

FITTING - REPAIR 6-2
412T2014-2

1. Refinish

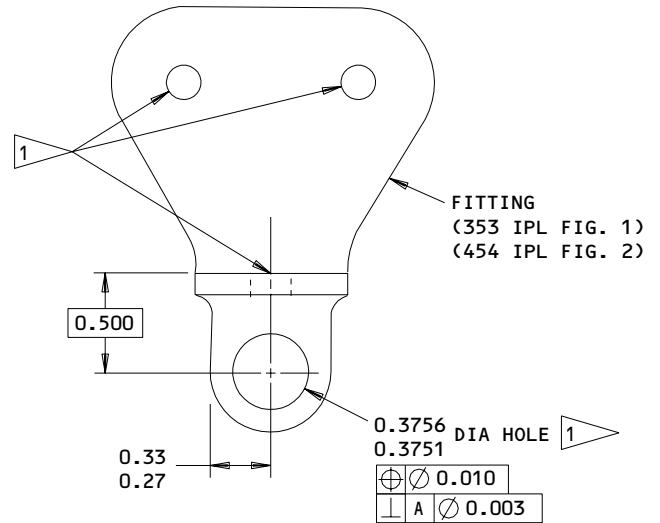
NOTE: Repair consists of stripping and restoring original finish. Refer to Figure 601 for refinish procedures and to REPAIR-GEN for list of applicable standard practices.



REFINISH

CHROMIC ACID ANODIZE PER MIL-A-8625, TYPE 1
AND APPLY 1 COAT BMS 10-11, TYPE 1 PRIMER
(F-18.13).

1 OMIT PRIMER FROM HOLE.



ALL DIMENSIONS ARE IN INCHES

Fitting Repair
Figure 601

45224

25-28-14

REPAIR 6-2

01.1

Page 601

Jul 10/83

MISCELLANEOUS PARTS REFINISH – REPAIR 7-1

NOTE: Refer to REPAIR-GEN for list of applicable standard practices.

1. Repair of parts listed in Figure 601 consists of restoration of original finish.

IPL FIG. & ITEM	MATERIAL	FINISH
<u>Fig. 1</u>		
Fittings (474,475, 528), Angle (30, 712,713) Rails (362,365J, 365S,366R,366V) Channels (385, 410, 412), PSU Rails (445, 447), Doubler (455,738, 740) Spacer (539)	Al Alloy	Chromic acid anodize per MIL-A-8625, type 1 and apply one coat BMS 10-11, type 1 primer (F-18.13).
Body (138)	Al Alloy	Sulfuric acid hard anodize, class 1, grade 2 per Figure 602 (F-17.06). Apply directional coarse grain buff satin finish using L-Lea compound of 120 grit aluminum oxide or equivalent. Apply BMS 10-78 clear baking enamel (F-14.26).
Pin (118,122), Bolt (270)	CRES 303	Prepare surface and passivate, method 2 (F-17.09).
Bolt (135), Screw (220,222,283,298) Roller (228),Shaft Shaft (285)	CRES 303	Prepare surface and passivate, method 2 (F-17.09). Apply thin coat of dry film lubricant per Figure 603.

Refinish Details
Figure 601 (Sheet 1)

25-28-14

REPAIR 7-1

01.1

Page 601

Jan 01/91

IPL FIG. & ITEM	MATERIAL	FINISH
Arm (125)	Al Alloy	Sulfuric acid hard anodize, class 1, grade 2 (F-17.06).
Bracket (272) Doubler (474F,474J, 492,495)	Al Alloy	Treat surface per MIL-C-5541 (colored film) and apply one coat BMS 10-11, type 1 primer (F-18.05). Apply BMS 10-83, type 1 primer and type 2 enamel (F-22.05-7362) per Fig. 604.
Bracket (140,140A, 148A,155)	Al Alloy	Chromic acid anodize per MIL-A-8625, type 1 and apply one coat BMS 10-11, type 1 primer (F-18.13) then apply BMS 10-83, type 2 enamel (F-22.06-7362).
Hinge Assys (190, 192,202,203)	Al Alloy	On all exterior surfaces, including edges of cutouts, apply BMS 10-55, flat water emulsion paint (F-14.942-712) then apply BMS 10-83, type 1 primer and type 2 enamel (F-22.05-7362). Overspray allowed on internal parts only where not visible through cutouts.
Doubler (209)	Al Alloy	Anodize per MIL-A-8625, type 1 (chromic acid) or type 2 (sulfuric acid) (F-17.05).
Support Assys (415, 416,418,419)	Al Alloy	Anodize per MIL-A-8625, type 1 (chromic acid) or type 2 (sulfuric acid) (F-17.05). Apply one coat BMS 10-11, type 1 primer (F-20.02).
Nut (532), Sleeve (535)	Steel - 4340	Cadmium plate (0.0002 to 0.0004 in.) per QQ-P-416, type 2, class 3 (F-15.02).

Refinish Details
Figure 601 (Sheet 2)

25-28-14

REPAIR 7-1

01.1

Page 602

Jan 01/91

IPL FIG. & ITEM	MATERIAL	FINISH
<u>Fig. 1</u> (Cont)		
Bracket (154F,154N) Doublor (766A,768A)	Al alloy	Chemical treat the surface per MIL-C-5541 (colored film) and apply one coat of BMS 10-11, type 1 primer (F-18.06).
Doublor (670,716)	Al alloy	Chromic acid anodize according to MIL-A-8625, type 1 and apply one coat of BMS 10-11, type 1 primer (F-18.13), then apply BMS 10-83 type 1 primer and BMS 10-83 type 2 enamel (F-22.05).
Doublor (728,730)	Al alloy	Chemical treat all surfaces to meet the requirement of MIL-C-5541 (F-17.07).
<u>Fig. 2</u>		
Fittings (54,75,78,727), Angle (41), Rails (472,476), Channels (512,515,551,554), PSU Rails (609,609A), Doublor (658)	Al Alloy	Chromic acid anodize per MIL-A-8625, type 1 and apply one coat BMS 10-11, type 1 primer (F-18.13).
Body (156)	Al Alloy	Sulfuric acid hard anodize, class 1, grade 2 per Figure 602 (F-17.06). Apply directional coarse grain buff satin finish using L-Lea compound of 120 grit aluminum oxide or equivalent. Apply BMS 10-78 clear baking enamel (F-14.26).
Pin (132,138), Nut (351)	CRES 303	Prepare surface and passivate, method 2 (F-17.09).
Bolt (153), Screw (291,294,369,369A), Roller (303), Shaft (375)	CRES 303	Prepare surface and passivate, method 2 (F-17.09). Apply thin coat of dry film lubricant per Fig. 603.

Refinish Details
Figure 601 (Sheet 3)

25-28-14

REPAIR 7-1

01.1

Page 603

Jan 01/91

IPL FIG. & ITEM	MATERIAL	FINISH
Arm (141)	Al Alloy	Sulfuric acid hard anodize, class 1, grade 2 (F-17.06).
Bracket (354), Doubler (688,691)	Al Alloy	Treat surface per MIL-C-5541 (colored film) and apply one coat BMS 10-11, type 1 primer (F-18.05). Apply BMS 10-83, type 1 primer and type 2 enamel (F-22.05-7362) per Figure 604.
Bracket (159,159A, 192A), Doubler (637,747)	Al Alloy	Chromic acid anodize per MIL-A-8625, type 1 and apply one coat BMS 10-11, type 1 primer (F-18.13) then apply BMS 10-83, type 1 primer and type 2 enamel (F-22.05-7362).
Hinge Assys (258, 261,264)	Al Alloy	On all exterior surfaces, including edges of cutouts, apply BMS 10-55, flat water emulsion paint (F-14.942-712) then apply BMS 10-83, type 1 primer and type 2 enamel (F-22.05-7362). Overspray allowed on internal parts only where not visible through cutouts.
Doubler (274)	Al Alloy	Anodize per MIL-A-8625, type 1 (chromic acid) or type 2 (sulfuric acid) (F-17.05).
Support Assys (557,560)	Al Alloy	Anodize per MIL-A-8625, type 1 (chromic acid) or type 2 (sulfuric acid) (F-17.05). Apply 1 coat BMS 10-11, type 1 primer (F-20.02).
Nut (733), Sleeve (736)	Steel - 4340	Cadmium plate (0.0002 to 0.0004 in.) per QQ-P-416, type 2, class 3 (F-15.02).

Refinish Details
Figure 601 (Sheet 4)

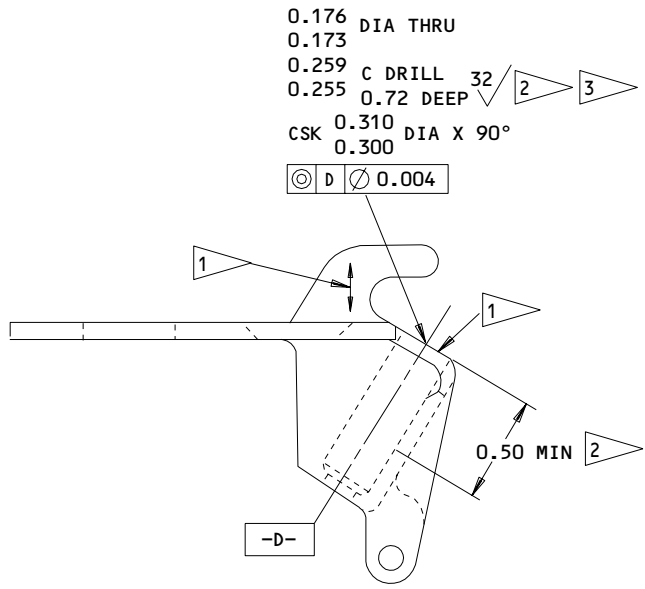
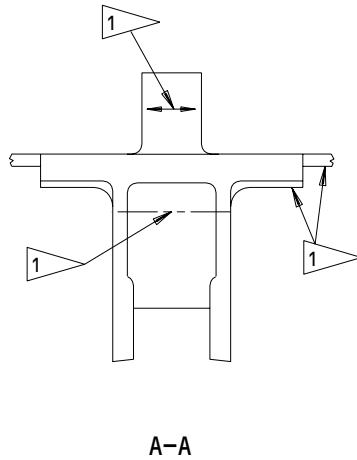
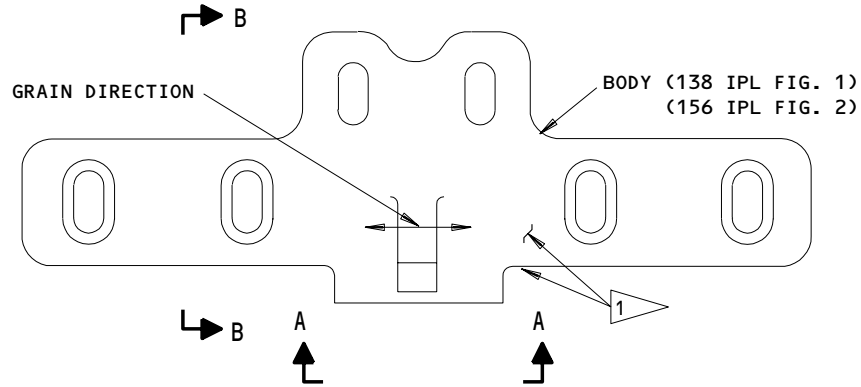
25-28-14

REPAIR 7-1

01.1

Page 604

Jan 01/91



- 1 APPLY DIRECTIONAL COARSE GRAIN BUFF SATIN FINISH, AS SHOWN, USING L-LEA COMPOUND OF 120 GRIT ALUMINUM OXIDE OR EQUIVALENT. APPLY BMS 10-78 CLEAR BAKING ENAMEL (F-14.26)
- 2 SULFURIC ACID HARD ANODIZE, CLASS 1, GRADE 2 AT LEAST 0.50 IN. DEEP
- 3 DIMENSION AFTER FINISHING

ALL DIMENSIONS ARE IN INCHES

413T1030-3
Body Refinish
Figure 602

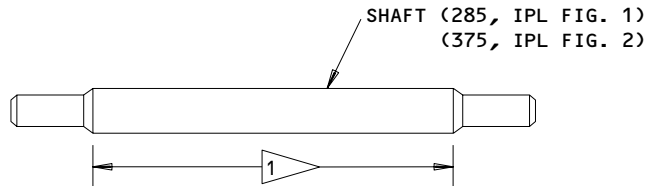
25-28-14

REPAIR 7-1

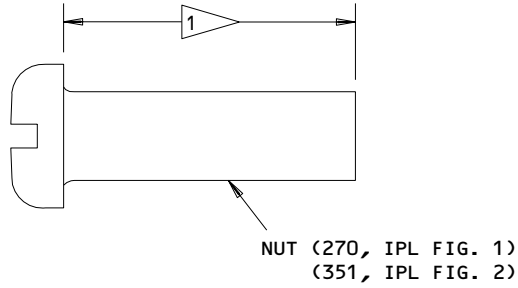
01.101

Page 605

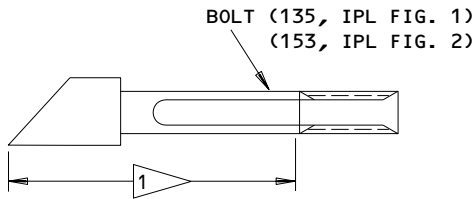
Oct 10/84



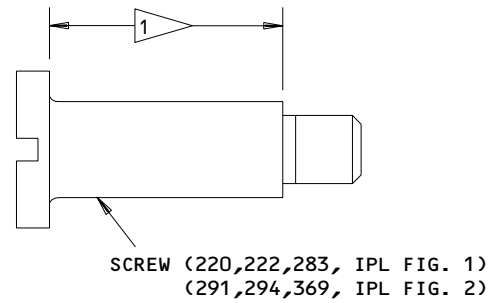
413T1084-1



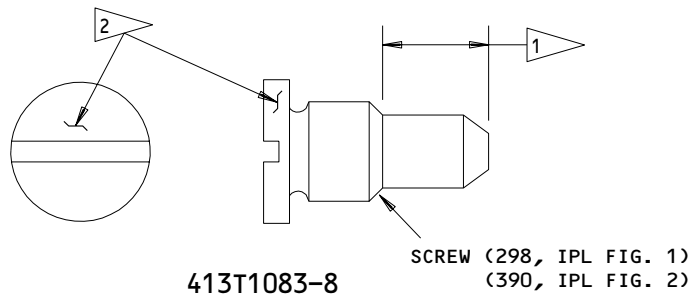
413T1083-5



413T1092-2



413T1083-2,-3,-6



413T1083-8

1 APPLY THIN COAT OF DRY FILM LUBRICANT.
 SURFACE ROUGHNESS NO GREATER THAN 32AA.

2 APPLY BMS 10-83, TYPE 1 PRIMER AND TYPE 2
 ENAMEL (F-22.05-7362).

NOTE: ALL SURFACES ⁶³✓ EXCEPT 1.

Lubricant Application
 Figure 603

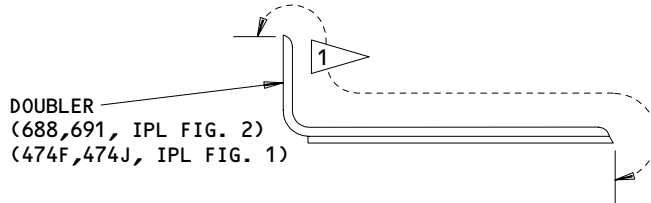
25-28-14

REPAIR 7-1

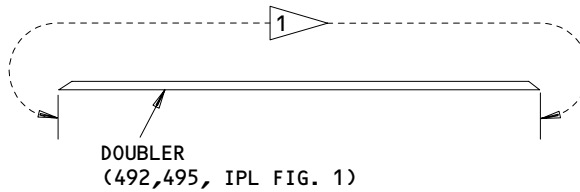
01.1

Page 606

Jan 01/91



412T2046-1,-2 (OPP)



412T2046-3,-4 (OPP)

1 TREAT SURFACE PER MIL-C-5541 (COLORED FILM) OR MIL-A-8625 (CHROMIC ACID ANODIZE). APPLY 1 COAT BMS 10-11 TYPE 1 PRIMER (F-18.05). APPLY BMS 10-83, TYPE 1 PRIMER AND TYPE 2 ENAMEL (F-22.05-7362).

Doubler Refinish
Figure 604

82028

25-28-14

REPAIR 7-1

01.1

Page 607

Jan 01/91

ASSEMBLY

1. Materials

NOTE: Equivalent substitutes may be used.

- A. Corrosion Preventive Compound -- MIL-C-16173, grade 2
- B. Corrosion Preventive Compound -- MIL-C-11796, class 3 (opt.)
- C. Grease -- MIL-G-23827 (opt.)
- D. Retaining Compound -- LOCTITE RC/688

2. Assembly (IPL Fig. 1)

CAUTION: PARTS OF STOWAGE BIN ASSEMBLY ARE VISIBLE FROM CABIN INTERIOR.
SPECIAL CARE MUST BE TAKEN TO PREVENT MARRING VISIBLE SURFACES.

A. Use standard industry practices and the following steps for assembly.

B. Assemble tension tie assembly (497, 497J, 498).

- (1) Apply a thin coat of lubricant to external and internal mating threads of tube (512, 517), nuts (514, 532, 516, 538), and rod end bearing (511, 513, 530). Thread nut (516, 538) into tube until nut head is snug against tube.
- (2) Thread nut (514, 532) onto rod end bearing (511, 513, 530).
- (3) Insert rod end bearing through sleeve (535) and thread into nut (516, 538). Turn down until top of rod end bearing is 2.57 to 2.65 in. from end of tube (512) (Fig. 701), or 1.20 to 1.26 inch from end of tube (517) (Fig. 701). Tighten nut (532) down against sleeve.
- (4) Insert fitting assy (518) into tube (512) such that shoulder of fitting (528) is flush within 0.02 in. of tube end. Secure fitting assy with bolts (520).

C. Assemble latch assemblies (110).

NOTE: Bolt (135) has a dry film lubricated surface which must be protected from mechanical damage and kept clean.

- (1) Place spring (132) in housing (138) and insert bolt (135) through housing, spring, washer (130), and into nut (128). Position bolt per Fig. 702.

25-28-14

ASSEMBLY
Page 701
Jan 01/91

01.1

- (2) Insert pin (118) through arm (125) and roller (120) and secure with retainers (115).
- (3) Slide arm between washer (130) and housing. Secure arm to housing with pin (122) and retainers (115). Tighten nut (128) to adjust bolt to dimension shown in Fig. 702.

D. Assemble hinge assys (190, 192).

- (1) Insert shaft (285) through actuator assy (232, 235) and lower arm assy (288).
- (2) Attach cam follower assy (250, 252).
 - (a) Retain screws (220, 222, 283) by applying retaining compound to threads before inserting, then tightening screws to 14 to 17 lb-in.
 - (b) Insert screw (283) through washers (284), lower arm assy (288), and into cam follower assy.
 - (c) Insert screw (220) through roller (225), cam follower assy (250, 252), washer (223), and into upper arm assy.
 - (d) Insert screw (222) through roller (225), slot in actuator assy (232, 235), roller (228), washer (223), and into cam follower assy.
 - (e) Retain screws (220, 222, 283) by center punching and swaging per 20-50-03 threaded end of screw. Apply loosening torque of 15 lb-in to screws. If screw rotates, repeat retaining operation until a minimum 15 lb-in removal torque is attained.
- (3) Apply retaining compound to threads of screws (265) then attach bracket (272) to upper and lower arm assys with nuts (270), washers (268), and screws (265).
- (4) Attach gas spring assy (345) with screw (298).
- (5) Insert guide in gas spring assy (345) into slot in spring housing assy (320) and insert end of shaft (285) into guide hole in spring housing assy.
- (6) Insert pins in spring support assy (302, 305) into alignment holes in spring housing assy, with slot in support assy over guide on gas spring assy.

25-28-14

ASSEMBLY
Page 702
Jan 01/91

01.1

- (7) Attach receptacle assy (342) to spring support assy and spring housing assy with screws (343).
- (8) Attach housing assy (205) by laying housing (210) over spring housing assy; ensure that rollers (225) fit properly into grooves. Insert bolt (206) through spacer (212), door (214), and into spring housing (338A). Insert bolts (207).
- (9) Close door (214) by pushing stud (216) through door and into receptacle (344).

E. Prepare faying surfaces of rail assys (432, 435) per 20-11-03, type 2, and Fig. 703. Maximum resistance to be 0.001 ohm.

F. Attach hinge assys (190, 192) to hinge panel assy with screws (195) and to door assy with screws (198) and washers (200A).

3. Assembly (IPL Fig. 2)

CAUTION: PARTS OF STOWAGE BIN ASSEMBLY ARE VISIBLE FROM CABIN INTERIOR. SPECIAL CARE MUST BE TAKEN TO PREVENT MARRING VISIBLE SURFACES.

A. Use standard industry practices and the following steps for assembly.

B. Assemble tension tie assy (693).

- (1) Apply a thin coat of lubricant to external and internal mating threads of tube (708), nuts (733, 739), and rod end bearing (730). Thread nut (739) into tube until nut head is snug against tube.
- (2) Thread nut (733) onto rod end bearing (730).
- (3) Insert rod end bearing through sleeve (736) and thread into nut (739). Turn down until top of rod end bearing is 2.57 to 2.65 in. from end of tube (708) (Fig. 701). Tighten nut (733) down against sleeve.
- (4) Insert fitting assy (715) into tube (708) such that shoulder of fitting (727) is flush within 0.02 in. of tube end. Secure fitting assy with bolts (718).

C. Assemble latch assys (126).

NOTE: Bolt (153) has a dry film lubricated surface which must be protected from mechanical damage and kept clean.

25-28-14

ASSEMBLY
Page 703
Jan 01/91

01.1

- (1) Place spring (150) in housing (156) and insert bolt (153) through housing, spring, washer (147), and into nut (144). Position bolt per Fig. 702.
- (2) Insert pin (132) through arm (141) and housing. Secure arm to housing with pin (138) and retainers (129). Tighten nut (144) to adjust bolt to dimension shown in Fig. 702.

D. Assemble hinge assys (243, 246).

- (1) Insert shaft (375) through actuator assy (306, 309) and lower arm assy (378).
- (2) Attach cam follower assy (327, 330).
 - (a) Retain screws (291, 294, 369) by applying retaining compound to threads before inserting, then tightening screws to 14 to 17 lb-in.
 - (b) Insert screw (369) through washers (372), lower arm assy (378), and into cam follower assy.
 - (c) Insert screw (291) through roller (300), cam follower assy (327, 330), washer (297), and into upper arm assy.
 - (d) Insert screw (294) through roller (300), slot in actuator assy (306, 309), roller (303), washer (297), and into cam follower assy.
 - (e) Retain screws (291, 294, 369) by center punching and swaging per 20-50-03 threaded end of screw. Apply loosening torque of 15 lb-in to screws. If screw rotates, repeat retaining operation until a minimum 15 lb-in removal torque is attained.
- (3) Apply retaining compound to threads of screws (345) then attach bracket (354) to upper and lower arm assys with nuts (351), washers (348), and screws (345).
- (4) Attach gas spring assy (436) with screw (390).
- (5) Insert guide in gas spring assembly (436A) into slot in spring housing assembly (409, 412) and insert end of shaft (375) into guide hole in spring housing assembly.

25-28-14

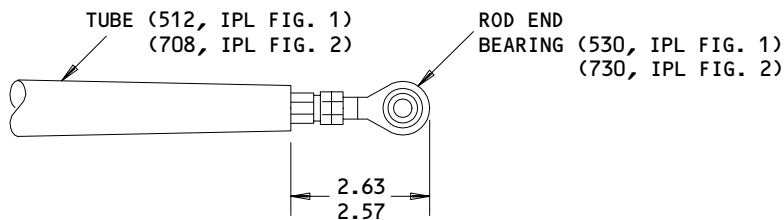
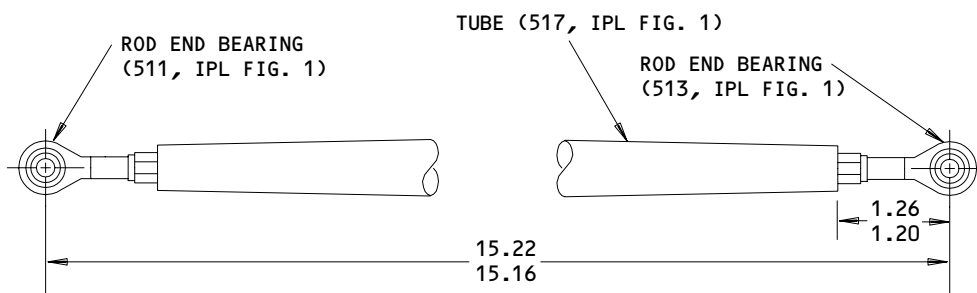
ASSEMBLY
Page 704
Jan 01/91

01.1

- (6) Insert pins in spring support assy (393, 396) into alignment holes in spring housing assy, with slot in support assy over guide on gas spring assy.
 - (7) Attach receptacle assy (427) to spring support assy and spring housing assy with screws (430).
 - (8) Attach housing assy (264, 267) by laying housing (276, 278) over spring housing assy; ensure that rollers (300) fit properly into grooves. Insert bolt (270) through spacer (280), door (282), and into spring housing (421, 424). Insert bolts (272).
 - (9) Close door (282) by pushing stud (285) through door and into receptacle (433).
- E. Prepare faying surfaces of rail assys (584, 587) per 20-11-03, type 2, and Fig. 703. Maximum resistance to be 0.001 ohm.
- F. Attach hinge assys (243, 246) to hinge panel assy with screws (249) and to door assy with screws (252) and washers (255).

25-28-14

01.101 ASSEMBLY
Page 705
Jan 01/91



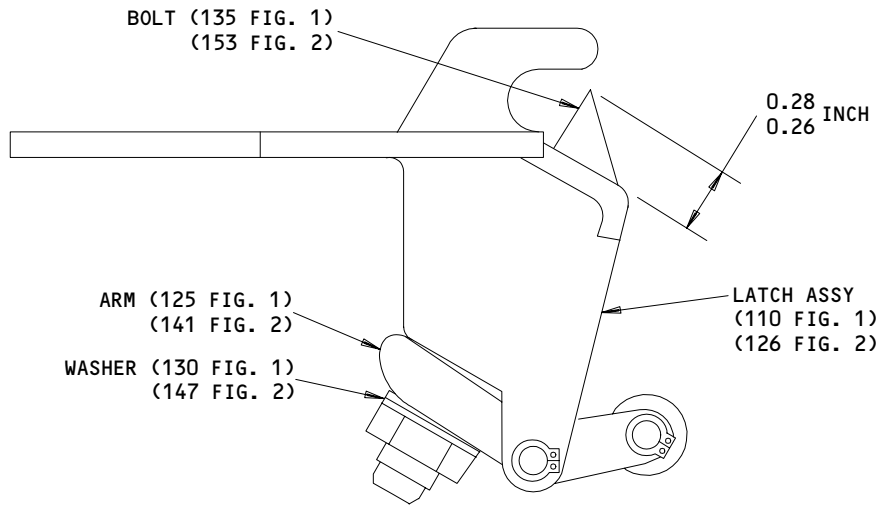
ALL DIMENSIONS ARE IN INCHES

Bearing Adjustment
 Figure 701

25-28-14

ASSEMBLY
 Page 706
 Jan 01/91

01.1



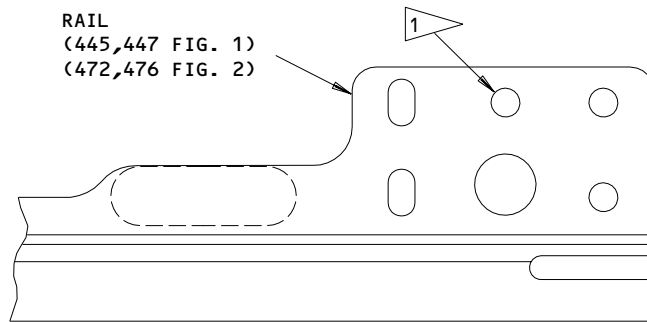
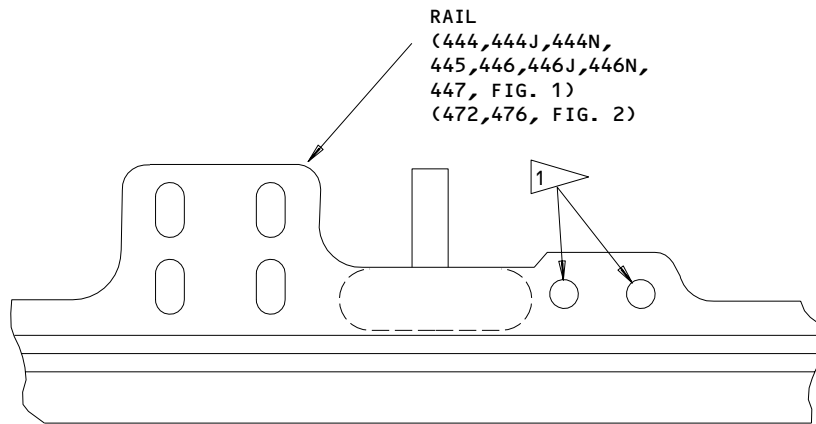
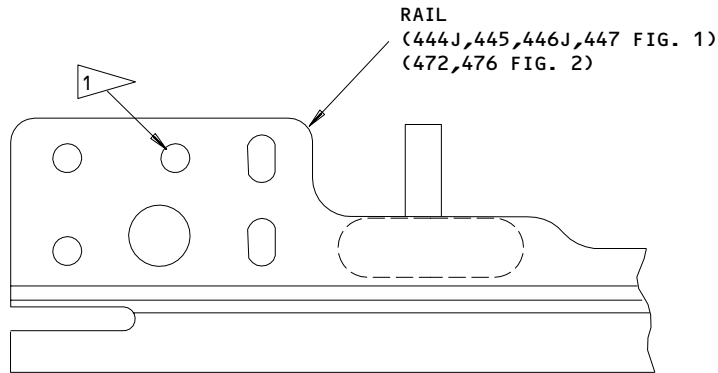
Latch Assembly
Figure 702

45229

25-28-14

ASSEMBLY
Page 707
Jan 01/91

01.101



1 PREPARE FAYING SURFACES PER 20-11-03, TYPE 2,
MAXIMUM RESISTANCE TO BE 0.001 OHM.

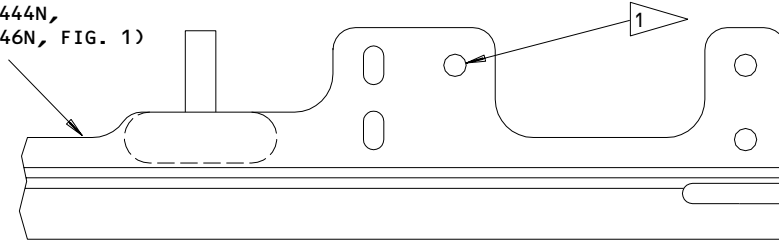
Hole Preparation
Figure 703 (Sheet 1)

25-28-14

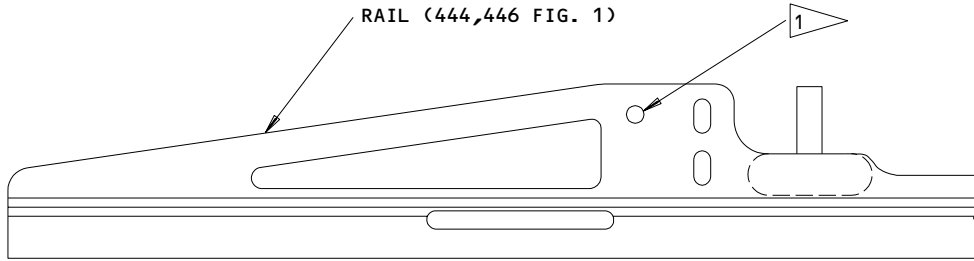
ASSEMBLY
Page 708
Jan 01/91

01.1

RAIL
(444,444J,444N,
446,446J,446N, FIG. 1)



RAIL (444,446 FIG. 1)



1 PREPARE FAYING SURFACES PER 20-11-03, TYPE 2,
MAXIMUM RESISTANCE TO BE 0.001 OHM.

Hole Preparation
Figure 703 (Sheet 2)

25-28-14

ASSEMBLY
Page 709
Jan 01/91

01.1

ILLUSTRATED PARTS LIST

1. This section lists and illustrates replaceable or repairable component parts. The Illustrated Parts Catalog contains a complete explanation of the Boeing part numbering system.

2. Indentures show parts relationships as follows:

Assembly

Detail Parts for Assembly

Subassembly

Attaching Parts for Subassembly

Detail Parts for Subassembly

Detail Installation Parts (Included only if installation parts may be returned to shop as part of assembly)

3. One use code letter (A, B, C, etc.) is assigned in the EFF CODE column for each variation of top assembly. All listed parts are used on all top assemblies except when limitations are shown by use code letter opposite individual part entires.

4. Letter suffixes (alpha-variants) are added to item numbers for optional parts, Service Bulletin modification parts, configuration differences (except left- and right-hand parts), product improvement parts, and parts added between two sequential item numbers. The alpha-variant is not shown on illustrations when appearance and location of all variants of the part is the same.

5. Service Bulletin modifications are shown by the notations PRE SB XXXX and POST SB XXXX.

A. When a new top assembly part number is assigned by Service Bulletin, the notations appear at the top assembly level only. The configuration differences at detail part level are then shown by use code letter.

B. When the top assembly part number is not changed by the Service Bulletin, the notations appear at the detail part level.

6. Parts Interchangeability

Optional
(OPT)

The parts are optional to and interchangeable with other parts having the same item number.

Supersedes, Superseded By
(SUPSDS, SUPSD BY)

The part supersedes and is not interchangeable with the original part.

Replaces, Replaced By
(REPLS, REPLD BY)

The part replaces and is interchangeable with, or is an alternate to, the original part.

25-28-14

VENDORS

01556 EMHART FASTENING SYSTEMS GROUP HELI-COIL DIVISION
SHELTER ROCK LANE
DANBURY, CONNECTICUT 06810

02758 NETWORKS ELECTRONIC CORP U S BEARING DIV
9750 DESOTO AVENUE
CHATSWORTH, CALIFORNIA 91311-4409

04169 WESTERN SKY INDUSTRIES A DIVISION OF ATLAS CORPORATION
21300 CLOUD WAY
HAYWARD, CALIFORNIA 94545-1217

06710 LAMSON AND SESSIONS CO THE VALLEY-TODECO
12975 BRADLEY AVENUE
SYLMAR, CALIFORNIA 91342-3830

06725 AIR INDUSTRIES CORPORATION
12570 KNOTT STREET
GARDEN GROVE, CALIFORNIA 92641-3932

06950 SCREWCORP VSI CORP AEROSPACE PRODUCTS DIV FAIRCHILD IND INC
13001 EAST TEMPLE AVE. PO BOX 730
CITY OF INDUSTRY, CALIFORNIA 91746-1417

07757 STANDARD INSERT COMPANY
419 SARGON WAY SUITE F
HORSHAM, PENNSYLVANIA 19044

08524 DEUTSCH FASTENER CORP SEE CODE V97928

09455 BFM TRANSPORT DYNAMICS CORP
PO BOX 1953 3131 WEST SEGERSTROM STREET
SANTA ANA, CALIFORNIA 92702-1953

10630 ANILLO INDUSTRIES, INCORPORATED
2090 NORTH GLASSELL
ORANGE, CALIFORNIA 92667

11815 CHERRY AEROSPACE FASTENERS DIV OF TEXTRON
1224 EAST WARNER AVENUE PO BOX 2157
SANTA ANA, CALIFORNIA 92707

25-28-14

ILLUSTRATED PARTS LIST
01.1 Page 1002
Jan 01/91

VENDORS

12324 DUPREE INC STAKE FASTENER CO
14395 RAMONA PO BOX 1797
CHINO, CALIFORNIA 91708

15653 KAYNAR MICRODOT AEROSPACE FASTENING SYSTEM
800 SOUTH COLLEGE BLVD PO BOX 3001
FULLERTON, CALIFORNIA 92634-3001

15860 NEW HAMPSHIRE BALL BEARINGS, INCORPORATED ASTRO DIVISION
155 LEXINGTON AVENUE
LACONIA, NEW HAMPSHIRE 03246-2937

17446 HUCK MFG CO GOV CONTRACTS LOS ANGELES DIV SUB OF FED-MOGUL
900 WATSON CENTER ROAD
CARSON, CALIFORNIA 90745

17943 FEDERAL MANUFACTURING CORPORATION
6910 FARMDALE AVENUE
NORTH HOLLYWOOD, CALIFORNIA 91605-6210

21335 TORRINGTON CO FAFNIR BEARING DIV
59 FIELD STREET
TORRINGTON, CONNECTICUT 06790-4942

23294 AVALON MACHINE PRODUCTS INC
15337 ALLEN STREET
PARAMOUNT, CALIFORNIA 90723-4011

27624 PAUL R BRILES INC P.B. FASTENER DIV
1700 WEST 132ND STREET PO BOX 1157
GARDENA, CALIFORNIA 90249-2008

29666 HUCK MANUFACTURING CO SUB OF FEDERAL-MOGUL CORP
6 THOMAS
IRVINE, CALIFORNIA 92714

34742 TYEE AIRCRAFT INCORPORATED
SNOHOMISH COUNTY AIRPORT
EVERETT, WASHINGTON 98204

25-28-14

VENDORS

50294 NEW HAMPSHIRE BALL BEARINGS INC
9730 INDEPENDENCE AVENUE PO BOX 2515
CHATSWORTH, CALIFORNIA 91311-4323

52828 REPUBLIC FASTENER MFG CORP
1300 RANCHO CONEJO BLVD
NEWBURY PARK, CALIFORNIA 91320-1405

53551 ALLFAST FASTENING SYSTEMS INC
15200 EAST DON JELIAN ROAD PO BOX 3166
CITY OF INDUSTRY, CALIFORNIA 91745-1001

55787 GAS SPRING CORP
92 COUNTY LINE ROAD
COLMAR, PENNSYLVANIA 18915-9606

56644 AURORA BEARING CO
970 SOUTH LAKE STREET
AURORA, ILLINOIS 60506-5929

56878 SPS TECHNOLOGIES INC AEROSPACE AND INDUSTRIAL PRODUCTS DIV
HIGHLAND AVENUE
JENKINTOWN, PENNSYLVANIA 19046

60119 MONADNOCK CO THE
18301 ARENTH AVENUE PO BOX 1222
CITY OF INDUSTRY, CALIFORNIA 91749

60516 WEST COAST AEROSPACE INC
812 MIRAFLORES STREET
SAN PEDRO, CALIFORNIA 90731-1439

70265 ALL POWER MANUFACTURING COMPANY
13141 MOLETTE STREET
SANTA FE SPRINGS, CALIFORNIA 90670-5523

71087 BOOTS ACFT NUT DIV TOWNSEND CO SEE TEXTRON INC CHERRY
FASTENER TOWNSEND DIV V11815

25-28-14

ILLUSTRATED PARTS LIST
01.1 Page 1004
Jan 01/91

VENDORS

71286 REXNORD INC SPECIALITY FASTENER DIV
601 ROUTE 46 WEST, PO BOX 601
HASBROUCK HEIGHTS, NEW JERSEY 07604-3118

72962 ELASTIC STOP NUT A DIV OF HARTFORD INDUSTRIES INC
2330 VAUXHALL ROAD
UNION, NEW JERSEY 07083-5038

73134 HEIM DIV INCOM INTERNATIONAL INC
60 ROUND HILL ROAD PO BOX 430
FAIRFIELD, CONNECTICUT 06430-5114

73197 HI-SHEAR TECHNOLOGY CORP
2600 SKYPARK DRIVE
TORRANCE, CALIFORNIA 90509

77896 REXNORD INC BEARING OPERATION
2400 CURTIS STREET
DOWNERS GROVE, ILLINOIS 60515-4005

80477 ADAMS RITE PRODUCTS INCORPORATED, DIVISION OF MZZM INCORPORATED
540 WEST CHEVY CHASE DRIVE PO BOX 800
GLENDALE, CALIFORNIA 91204

80539 SPS TECHNOLOGIES INC AEROSPACE PRODUCTS DIV
2701 SOUTH HARBOR BOULEVARD PO BOX 1259
SANTA ANA, CALIFORNIA 92702-1259

81376 SOUTHWEST PRODUCTS COMPANY
2240 BUENA VISTA STREET
IRVINDALE, CALIFORNIA 91706

85495 BRILES MFG CO SEE OMARK INDUSTRIES
PRECISION FASTENING SUB OF OMARK IND INC SEE DEUTSCH
FASTENER CORP V08524
OMARK INDUSTRIES SEE PRECISION FASTENING

92215 VOI-SHAN DIV OF VSI CORP SUB OF FAIRCHILD INDUSTRIAL INC
8463 HIGUERA STREET
CULVER CITY, CALIFORNIA 90230

25-28-14

VENDORS

94892 MASTER MACHINE PRODUCTS CORPORATION
1551 SOUTH PRIMROSE AVE
MONROVIA, CALIFORNIA 91016-4542

97393 SHUR-LOK CORPORATION
2541 WHITE ROAD PO BOX 19584
IRVINE, CALIFORNIA 92713

97613 SARGENT INDUSTRIES KAHR BEARING DIVISION
3010 NORTH SAN FERNANDO ROAD
BURBANK, CALIFORNIA 91504-2524

97928 DEUTSCH FASTENER CORP
3969 PARAMONT BOULEVARD
LAKEWOOD, CALIFORNIA 90712-4193

98996 OLYMPIC FASTENING SYSTEMS INC SUB OF ARMCO INC
11445 SOUTH DOLAN STREET
DOWNEY, CALIFORNIA 90241-4986

25-28-14

ILLUSTRATED PARTS LIST
01.1 Page 1006
Jan 01/91

PART NUMBER	AIRLINE PART NO.	FIG.	ITEM	TTL REQ
ABW4V5		1	525	1
		2	724	1
AB4VCRG		1	525	1
		2	724	1
AF5171-3-2		1	374	24
		1	374N	36
		2	502	24
		2	739	1
AN960C416L		1	486	1
AN960C516		1	505	1
AN960C516L		1	496E	1
		2	699	1
AN960C8		1	130	1
		2	147	1
AN960D10L		1	442	6
		1	442N	2
		2	603	8
AN960JD10		1	681	3
		1	726	2
AN960JD10L		1	469P	3
		1	473G	1
AN960JD10LL		1	15A	6
		1	16	6
		1	50A	6
		1	51	6
		1	168A	5
		1	361	16
		1	473D	3
		1	653	4
		1	687	3
		1	702	3
AN960KD10L		1	748	3
		1	70A	2
AN960PD10		1	400	2
		1	422	8
		1	423	2
		1	473F	1
		2	539	2
		2	566	6
		2	673	1
		2	814A	1

25-28-14

ILLUSTRATED PARTS LIST
01.1 Page 1007
Jan 01/91

PART NUMBER	AIRLINE PART NO.	FIG.	ITEM	TTL REQ
AN960PD10L		1	15	6
AN960PD10L		1	50	6
		1	168	5
		1	360	8
		1	360N	10
		1	473C	3
		1	480	9
		2	23	12
		2	66A	5
		2	90	2
		2	199A	2
		2	210	5
		2	469	10
		2	623A	2
		2	670	6
		2	745B	2
AN960PD6		1	345M	2
AN960PD8L		1	404	2
		2	543	2
ART4E125		1	511	1
A11330-8-3		1	188	5
		2	240	5
BACB10AB4		1	525	1
		2	724	1
BACB28AR06A024A		1	452	1
BACB28X4C005		1	453	1
		1	469R	2
		1	756	1
		2	652	1
BACB28X4C009		1	23	1
		1	55	1
		2	30	1
		2	51A	1
BACB28X4C011		2	72	1
BACB28X4C024		1	24	1
		1	58	1
		2	33A	1
BACB28X4C035		2	627	1
BACB28X4M050		1	351Q	1
BACB28X4M050		2	451B	1
BACB28X6M024		1	22A	2
BACB28Z5-025		1	496G	2
		1	510	1
		2	740	2

25-28-14

 ILLUSTRATED PARTS LIST
 01.1 Page 1008
 Jan 01/91

PART NUMBER	AIRLINE PART NO.	FIG.	ITEM	TTL REQ
BACB30FM5-3		2	45	2
BACB30FN10-24		1	496	1
		1	502A	1
BACB30FN10-25		1	496A	1
		2	696A	1
BACB30FN8A8		1	484A	1
BACB30GW6-16		1	520	2
		2	718	2
BACB30LH3PU22		1	207	4
		2	272	4
BACB30LH3PU28		1	206	2
		2	270	2
BACB30LU3-10		1	473	3
		1	473A	1
BACB30LU3-10		1	679	3
		2	63	2
BACB30LU3-11		1	473B	1
		2	64	3
		2	667	4
BACB30LU3-9		1	469L	3
		1	478	9
		1	650	4
		1	676	1
		1	699	3
		1	746	3
		2	620	2
		2	668	3
		2	742A	2
BACC30K6		1	522	2
		2	721	2
BACC30M5		2	48	2
BACF3F006G006NN		1	154	2
		2	823	1
BACN10FX21		1	188	5
		2	240	5
BACN10GH3A8		1	438	4
		2	590	3
BACN10JC08		1	128	1
		1	404J	2
		2	144	1
		2	544	2

25-28-14

ILLUSTRATED PARTS LIST
01.1 Page 1009
Jan 01/91

PART NUMBER	AIRLINE PART NO.	FIG.	ITEM	TTL REQ
BACN10JC3		1	18	3
		1	52	3
		1	469N	3
		1	473J	4
		1	482	9
		2	27	6
		2	69	5
		2	189	1
		2	200	1
		2	625	2
		2	676	7
		2	746	2
		2	765	1
		2	795	2
BACN10JC3		1	488	1
BACN10JC4CM		1	496F	1
BACN10JC5CM		1	508	1
		2	702	1
BACN10JP3B		1	405	2
		2	545	2
BACN10JP3C		1	425	8
		1	426	2
		2	569	6
BACN10JR3F		1	380	8
		1	381	14
		2	506	8
BACN10KB3F		1	376	4
		1	378	2
		2	503	4
BACN10KH3		1	375	2
BACR15BA3AD		1	408	4
		1	424	20
		1	428	16
		2	548	4
		2	572	12
BACR15BA5KE		1	363N	2
BACR15BB4AD		1	439A	8
		2	593	6
BACR15DR3-2		1	374	24
		1	374N	36
		2	502	24
BACR15FT5D		2	168	6
		2	168A	1
		2	748	7
		2	798	8
		2	808	2

25-28-14

 ILLUSTRATED PARTS LIST
 01.1 Page 1010
 Jan 01/91

PART NUMBER	AIRLINE PART NO.	FIG.	ITEM	TTL REQ
BACS12FA3C5		1	195A	12
		2	249A	12
BACW10P183AL		1	153P	4
		1	185	5
		1	200A	8
		2	234	5
		2	255A	8
BAC27TPPS0246		1	630	1
BAC27TPPS0247		2	908	1
BAC27TPPS0249		2	911A	1
BAC29PPS0554		1	639	1
		2	911	1
BAC29PPS0555		2	914A	1
BAC29PPS0556		1	633	1
BAC29PPS0557		2	914	1
BAC29PPS0558		1	636	1
		2	917	1
BAC29PPS2172		1	642	1
BAC29PPS2174		1	645	1
BRC500-8-3		1	188	5
		2	240	5
BRF100A3		1	376	4
		1	378	2
		2	503	4
BRF200A3		1	380	8
		1	381	14
		2	506	8
BRH10A08		1	128	1
		1	404J	2
		2	144	1
		2	544	2
BRH10A3		1	18	3
		1	52	3
		1	469N	3
		1	473J	4
		1	482	9
		2	27	6
		2	69	5
		2	189	1
		2	200	1
		2	625	2
		2	676	7
		2	746	2
		2	765	1
		2	795	2

25-28-14

PART NUMBER	AIRLINE PART NO.	FIG.	ITEM	TTL REQ
BRM100A3		1	405	2
		2	545	2
BRM300A3		1	425	8
		1	426	2
		2	569	6
BSSR4804		1	525	1
		2	724	1
CCR264SS3-2		1	374	24
		1	374N	36
		2	502	24
F1313		1	345	2
		2	436A	2
		1	376	4
		1	378	2
		2	503	4
F49322-3-21		1	188	5
		2	240	5
		1	381	14
		2	506	8
		2	45	2
HL18PB5-3		2	496	1
HL19PB10-24		1	502A	1
HL19PB10-25		1	496A	1
		2	696A	1
HL41PY8-8		1	484A	1
HL70-5		2	48	2
HU4-134		1	525	1
		2	724	1
H01-4BAC		1	488	1
H01-5BAC		1	496F	1
		1	508	1
		2	702	1
H10-08BAC		1	128	1
		1	404J	2
		2	144	1
		2	544	2

25-28-14

 ILLUSTRATED PARTS LIST
 01.1 Page 1012
 Jan 01/91

PART NUMBER	AIRLINE PART NO.	FIG.	ITEM	TTL REQ	
H10-3BAC		1	18	3	
		1	52	3	
		1	469N	3	
		1	473J	4	
		1	482	9	
		2	27	6	
		2	69	5	
		2	189	1	
		2	200	1	
		2	625	2	
		2	676	7	
		2	746	2	
		2	765	1	
		2	795	2	
	KWB4-20CRG		1	525	1
	KWB4-20CRG		2	724	1
	MK2000-3BAC		1	405	2
		2	545	2	
MK3000-3BAC		1	425	8	
		1	426	2	
		2	569	6	
MSSR45-14BAC		1	511	1	
MS16624-5012		1	115	4	
		2	129	4	
MS20253-2-083		1	78	1	
		2	99	1	
MS21042L3		1	18A	3	
		1	19	3	
		1	52A	3	
		1	53	3	
		1	473K	4	
		1	656	4	
		1	690	6	
		1	704	3	
		1	750	3	
MS21209C0610		1	258	4	
		2	336	4	
MS21209C0615		1	280	2	
		2	363	2	
MS21209F4-10		1	238	2	
		2	312	2	
		1	341N	2	
MS24585C196		1	132	1	
MS24585C93		1	150	1	
		2	150	1	
MS35338-136		1	268	4	
		2	348	4	

25-28-14

PART NUMBER	AIRLINE PART NO.	FIG.	ITEM	TTL REQ
MS35338-43		1	441	3
		1	441N	1
		2	600	4
MS35650-305S		1	443	3
		1	443N	1
		2	606	4
MS51859-1		1	76	2
		2	97	2
NAS1056C3-056		1	75A	1
		2	96A	1
NAS1352C04LB4		1	343	4
		2	430	4
NAS1515M3L		1	223	4
		1	284	4
NAS1515M3L		2	297	4
		2	372	4
NAS1801-3-12		1	440	3
		1	440N	1
		2	597	4
NAS1801-3-4		2	174	2
		1	184	5
NAS1801-3-5		1	390	8
		2	231	5
		2	811	1
NAS1801-3-6		1	153M	4
		1	198	8
		1	390A	8
		1	390T	2
		2	252	8
NAS1833-3-400		2	524	6
		1	567	2
		1	814	2
NAS1834-3-400		2	899	2
		1	560A	3
		1	561A	3
		1	568A	9
		1	569A	4
		1	570A	6
		1	605A	3
		1	802A	7
2	228	2		
2	866A	11		
2	893A	14		

25-28-14

 ILLUSTRATED PARTS LIST
 01.1 Page 1014
 Jan 01/91

PART NUMBER	AIRLINE PART NO.	FIG.	ITEM	TTL REQ
NAS1834-3K400		2	870	6
NAS1834-4-400		1	572A	5
		2	878A	7
		2	890A	5
NAS1834A3-380		1	180N	2
		2	228B	2
NAS1834A3-400		1	560	3
		1	561	3
		1	568	9
		1	569	4
		1	570	6
		1	605	3
		1	794	6
		1	802	7
		1	810	26
		2	228A	2
NAS1834A3-400		2	866	11
		2	893	14
NAS1834A4-400		1	572	5
		1	812	5
		2	878	7
		2	890	5
NAS1834C4-400		1	576	1
NAS1834C5-400		1	574	1
		1	575	1
		1	816	1
		2	896	1
NAS1836-08-11		1	577	2
		1	578	2
		2	887	2
NAS1836-3-07		1	550	10
		1	778	8
		2	854	4

25-28-14

PART NUMBER	AIRLINE PART NO.	FIG.	ITEM	TTL REQ
NAS1836-3-09		1	179	3
		1	180A	4
		1	180G	13
		1	539Q	7
		2	222A	2
		2	223	11
		2	229A	3
		2	230A	3
		2	959	7
		NAS1836-3-11		1
1	177			17
1	180			4
1	558			25
1	559			3
1	580			52
1	581			7
1	582			4
1	583			4
1	585			4
1	610			22
1	613			2
1	784			8
1	792			24
1	800			24
1	808			96
NAS1836-3-11				2
		2	222	2
		2	229	3
		2	230	3
		2	869	12
		2	875	25
		2	876	2
		2	884	77
		2	885	5
		2	886	4

25-28-14

 ILLUSTRATED PARTS LIST
 01.1 Page 1016
 Jan 01/91

PART NUMBER	AIRLINE PART NO.	FIG.	ITEM	TTL REQ
NAS1836-3-7		2	860	6
NAS1836A3-400		1	786	4
NAS43DD3-30		1	212	2
		2	280	2
NAS514P1032-4		1	473M	2
		1	473N	1
		2	679	2
NAS514P1032-5		1	112	2
		1	473P	1
		2	127	2
		2	682	1
NAS514P1032-6		1	80	2
		1	473R	1
		2	102	2
		2	685	1
NAS601-3		1	265	4
		2	345	4
NAS601-6P		1	345J	2
NAS603-4P		1	153S	4
		1	158	8
		2	177	1
NAS620A10L		1	10	4
		1	35	12
		1	45	4
		1	145	8
		1	152	8
		1	153V	4
		1	160	8
		1	349	2
		1	372	18
		1	372N	30
		1	391	8
		1	391N	2
		1	451	11

25-28-14

ILLUSTRATED PARTS LIST
01.1 Page 1017
Jan 01/91

PART NUMBER	AIRLINE PART NO.	FIG.	ITEM	TTL REQ	
NAS620A10L		1	467	11	
		1	469J	5	
		1	539E	14	
		1	662	8	
		1	710	5	
		1	724	3	
		1	736	5	
		1	754	2	
		1	764	22	
		2	14	4	
		2	40G	12	
		2	165	7	
		2	180	3	
		2	186	2	
		2	198	7	
		2	448	3	
		2	500	21	
		2	527	6	
		2	624	11	
		2	649	6	
		2	755	7	
		2	762	2	
		2	792	6	
		2	830	3	
		2	929	2	
		2	944	14	
	NAS623-2-2		1	403	2
	NAS623-3-1		2	542A	2
			1	8	4
			1	32	12
			1	42	4
			1	142	8
			1	150	8
		1	370	16	
		1	370N	28	
		1	450	11	
		1	466	11	
		1	469	5	
		1	539C	14	
		1	659	4	
		1	706	3	
		1	722	3	
	1	732	3		
	1	752	2		
	1	762	21		

25-28-14

 ILLUSTRATED PARTS LIST
 01.1 Page 1018
 Jan 01/91

PART NUMBER	AIRLINE PART NO.	FIG.	ITEM	TTL REQ	
NAS623-3-1		2	11	4	
		2	40	12	
		2	162	7	
		2	195	7	
		2	491	20	
		2	621	11	
		2	646	4	
		2	752	7	
		2	788	3	
		2	828	3	
		2	926	2	
		2	941	14	
	NAS623-3-1W		1	68	2
			2	87	2
NAS623-3-2		1	347	2	
		1	371N	1	
		1	708	2	
		1	734	2	
		2	442	2	
		2	497	1	
		2	647	2	
NAS623-3-3		1	371	2	
		1	371P	1	
		2	445	1	
NAS623-3-7		1	165	5	
		2	207	5	
NAS623-3-9		2	183	1	
		2	758	1	
		2	785	2	
NAS6603-10		1	13A	2	
		1	49A	2	
		2	17	2	

25-28-14

PART NUMBER	AIRLINE PART NO.	FIG.	ITEM	TTL REQ
NAS6603-2		1	358	8
		1	358N	10
		1	359	16
		2	463	10
NAS6603-3		1	398	2
		1	420	8
		1	421	2
		2	536	2
		2	563	6
NAS6603-9		1	12	4
		1	13	2
NAS6603-9		1	48	4
		1	49	2
		1	684	2
		2	20	4
NAS76A3-007N		2	196	1
		1	292	2
		2	384	2
NAS76A3-009N		1	255	2
		2	333	2
NAS77A3-15N		1	278	4
		1	290	8
		2	360	4
		2	381	8
NAS77A3-24N		1	240	2
		2	315	2
NAS77A3-68N		1	242	2
		2	318	2
		1	405	2
NS103198-02		2	545	2
		1	425	8
NS103199-02		1	426	2
		2	569	6
		1	380	8
NS103203-02		1	381	14
		1	381	8
		2	506	8

25-28-14

 ILLUSTRATED PARTS LIST
 01.1 Page 1020
 Jan 01/91

PART NUMBER	AIRLINE PART NO.	FIG.	ITEM	TTL REQ
NS103225-02		1	375	2
NS202101-02		1	18	3
		1	52	3
		1	469N	3
		1	473J	4
		1	482	9
		2	27	6
		2	69	5
		2	189	1
		2	200	1
		2	625	2
		2	676	7
		2	746	2
		2	765	1
		2	795	2
NS202101-82		1	128	1
		1	404J	2
		2	144	1
		2	544	2
NS202101SE048		1	488	1
PSFW10F6DS05WH		1	195	12
		1	196	12
		2	249	12
REM8ATC10		1	511	1
RMA9205M3		1	426	2
RMA9207-3		1	405	2
		2	545	2
RMF9201-3		1	380	8
		1	381	14
		2	506	8
RMF9207-3		1	376	4
RMF9209M3		1	375	2
RMLH9075-3W		1	18	3
		1	52	3
		1	469N	3
		1	473J	4
		1	482	9
		2	27	6
		2	69	5
		2	189	1
		2	200	1
		2	625	2
		2	676	7
		2	746	2
		2	765	1
		2	795	2

25-28-14

PART NUMBER	AIRLINE PART NO.	FIG.	ITEM	TTL REQ	
RMLH9075-82W		1	128	1	
		1	404J	2	
		2	144	1	
RV571A3-2		2	544	2	
		1	374	24	
		1	374N	36	
SALPYT6-16		2	502	24	
		1	520	2	
		2	718	2	
SL6164-08-4		2	240	5	
		2	779	2	
		2	932	2	
		1	181	12	
		1	579	8	
		1	579A	4	
		1	818	10	
		2	120	2	
		2	225	12	
		2	902	8	
S413T301-2		2	903	10	
		2	903G	8	
		1	345	2	
		2	436A	2	
	T6C428JM		1	488	1
	T6C524JM		1	496F	1
			1	508	1
			2	702	1
	T6S1032J		1	18	3
			1	52	3
		1	469N	3	
		1	473J	4	
		1	482	9	
		2	27	6	
		2	69	5	
		2	189	1	
		2	200	1	
		2	625	2	
		2	676	7	
		2	746	2	
		2	765	1	
		2	795	2	
T6S832J		1	128	1	
		1	404J	2	
		2	144	1	
		2	544	2	
T8077S1032		1	405	2	
		2	545	2	

25-28-14

 ILLUSTRATED PARTS LIST
 01.1 Page 1022
 Jan 01/91

PART NUMBER	AIRLINE PART NO.	FIG.	ITEM	TTL REQ
T8078S1032		1	425	8
		1	426	2
		2	569	6
T8091S1032		1	380	8
		1	381	14
		2	506	8
T8114S1032S		1	376	4
		1	378	2
		2	503	4
UI19136-2B8		1	310	2
		1	328	2
		2	400	2
		2	415	2
		2	415	2
UI19136-6B8		1	332	6
		2	418	6
		2	418	6
VN151A1-02		1	376	4
		1	378	2
		2	503	4
VN152A1-02		1	380	8
		1	381	14
		2	506	8
VN201A1-02		1	405	2
		2	545	2
		2	545	2
VN203A1-02		1	425	8
		1	426	2
		2	569	6
VN303A02		1	18	3
		1	52	3
		1	469N	3
		1	473J	4
		1	482	9
		2	27	6
		2	69	5
		2	189	1
		2	200	1
		2	625	2
		2	676	7
		2	746	2
		2	765	1
		2	795	2
		2	795	2
VN303A82		1	128	1
		1	404J	2
		2	144	1
VN303D048		2	544	2
		2	544	2
		1	488	1

25-28-14

ILLUSTRATED PARTS LIST
01.1 Page 1023
Jan 01/91

PART NUMBER	AIRLINE PART NO.	FIG.	ITEM	TTL REQ
WC1318-8		1	484A	1
WC22-5-3		2	45	2
WC2510-24		1	496	1
		1	502A	1
WC2510-25		1	496A	1
		2	696A	1
WC4G1		1	525	1
		2	724	1
WG4E		1	525	1
		2	724	1
WS1-332A8		1	438	4
		2	590	3
YTM124B		1	511	1
10-60779-103L		1	513	1
10-60779-112L		1	530	1
		2	730	1
109LH9075-4W		1	488	1
109LH9075-5W		1	496F	1
		1	508	1
		2	702	1
1281-1		1	497K	1
		1	498A	1
		2	693B	1
130061		1	188	5
		2	240	5
2DCC6		1	522	2
		2	721	2
2055051		1	363	1
		1	367	4
		1	367J	12
		2	482	8

25-28-14

 ILLUSTRATED PARTS LIST
 01.1 Page 1024
 Jan 01/91

PART NUMBER	AIRLINE PART NO.	FIG.	ITEM	TTL REQ
2055144		1	430	7
		1	430N	10
		1	431	1
		2	581	6
412T1000-23SP		2	518	1
412T1000-24SP		2	521	1
412T1000-47SP		1	387	1
412T1000-48SP		1	387A	1
412T1000-53SP		1	386	1
412T1000-54SP		1	386A	1
412T1000-7SP		1	388	1
412T1000-73SP		1	388A	1
412T1000-74SP		1	389A	1
412T1000-8SP		1	389	1
412T1001-1		2	530	1
412T1001-11		1	410	1
412T1001-12		1	412	1
412T1001-2		2	533	1
412T1001-5		1	392	1
412T1001-6		1	395	1
412T1001-7		2	551	1
412T1001-8		2	554	1
412T1002-131SP		1	433	1
412T1002-132SP		1	436	1
412T1002-133		1	444	1
412T1002-134		1	446	1
412T1002-143SP		1	434	1
412T1002-144SP		1	437	1
412T1002-145		1	444J	1
412T1002-146		1	446J	1
412T1002-15		1	445	1
412T1002-16		1	447	1
412T1002-187SP		1	434A	1
412T1002-188SP		1	437A	1
412T1002-189		1	444N	1

25-28-14

PART NUMBER	AIRLINE PART NO.	FIG.	ITEM	TTL REQ
412T1002-190		1	446N	1
412T1002-20		1	447B	1
412T1002-63		1	447C	1
412T1002-65SP		2	584	1
412T1002-66SP		2	587	1
412T1002-67		2	609	1
412T1002-68		2	609A	1
412T1002-69		2	612	1
412T1002-7SP		1	432	1
412T1002-8SP		1	435	1
412T1003-1		1	418	4
		1	419	1
		2	560	3
412T1003-2		1	415	4
		1	416	1
		2	557	3
412T1003-3		1	429A	4
		1	429T	1
		2	578	3
412T1003-4		1	429	4
		1	429N	1
		2	575	3
412T1004-113SP		1	355	1
412T1004-114SP		1	357	1
412T1004-115		1	365J	1
412T1004-116		1	365S	1
412T1004-141SP		1	355A	1
412T1004-142SP		1	357A	1
412T1004-143		1	366S	1
412T1004-144		1	366W	1
412T1004-15		1	362	1
412T1004-19		1	365A	1
412T1004-63SP		2	457	1
412T1004-64SP		2	460	1
412T1004-65		2	472	1
412T1004-66		2	476	1
412T1004-67SP		2	479	1

25-28-14

 ILLUSTRATED PARTS LIST
 01.1 Page 1026
 Jan 01/91

PART NUMBER	AIRLINE PART NO.	FIG.	ITEM	TTL REQ
412T1004-7SP		1	354	1
412T1008-4		1	364	1
412T2010-1		1	497J	1
		1	498	1
		2	693C	1
412T2010-2		1	512	1
		2	708A	1
412T2010-3		1	515	1
		2	711A	1
412T2010-4		2	693A	1
412T2010-5		2	708	1
412T2010-6		2	711	1
412T2010-7		1	497	1
412T2010-8		1	517	1
412T2011-1		1	518	1
		2	715	1
412T2011-2		1	528	1
		2	727	1
412T2012-1		1	535	1
		2	736	1
412T2012-2		1	532	1
		2	733	1
412T2013-2		1	30	1
		2	41	1
412T2013-23		2	57	1
412T2013-24		2	60	1
412T2013-25		2	75	1
412T2013-26		2	78	1
412T2013-27		2	42	1
412T2013-28		2	54	1
412T2013-29		1	673	1
412T2013-3		1	475	1
412T2013-30		1	696	1
412T2013-31		1	712	1
412T2013-32		1	714	1
412T2014-1		1	346	1
		2	439	1
412T2014-2		1	353	1
		2	454	1
412T2045-1		1	474	1
		2	661	1
412T2045-2		1	474C	1
		2	664	1

25-28-14

PART NUMBER	AIRLINE PART NO.	FIG.	ITEM	TTL REQ
412T2046-1		1	474F	1
		2	688	1
412T2046-2		1	474J	1
		2	691	1
412T2046-3		1	492	1
412T2046-4		1	495	1
412T2046-5		1	670	2
		2	79	1
		2	637	1
412T2046-6		2	747	1
412T2046-7		1	716	1
412T2047-1		1	539	1
412T3108-10		1	28	1
412T3108-11		1	60	1
		2	36	1
412T3108-12		1	29	1
		1	62	1
		2	39	1
412T3108-17		1	20	1
412T3108-3		1	3	1
412T3108-4		1	5	1
412T3108-5		1	38	1
		2	5	1
412T3108-6		1	6	1
		1	40	1
		2	8	1
412T3108-9		1	25	1
412T3109-10		1	465	1
412T3109-13		1	458	1
412T3109-14		1	460	1
412T3109-15		1	459	1
		1	470	1

25-28-14

 ILLUSTRATED PARTS LIST
 01.1 Page 1028
 Jan 01/91

PART NUMBER	AIRLINE PART NO.	FIG.	ITEM	TTL REQ
412T3109-16		1	461	1
		1	472	1
412T3109-19		1	471	1
412T3109-21		1	455	1
412T3109-28		2	630	1
412T3109-29		1	742	1
		2	639	1
412T3109-3		1	448	1
412T3109-30		1	744	1
		2	642	1
412T3109-31		1	758	1
		2	655	1
412T3109-32		1	760	1
		2	658	1
412T3109-33		2	615A	1
412T3109-34		2	618A	1
412T3109-35		2	633A	1
412T3109-36		2	636A	1
412T3109-4		1	449	1
412T3109-43		1	665	1
412T3109-44		1	667	1
412T3109-5		1	448J	1
		1	462	1
412T3109-6		1	449J	1
		1	464	1
		1	463	1
412T3109-9		1	1B	RF
413T1002-127SP		1	2B	RF
413T1002-128SP		1	1C	RF
413T1002-149SP		2	1A	RF
413T1002-150SP		1	2C	RF
		2	2A	RF
413T1002-155SP		1	1D	RF
		2	1B	RF
413T1002-156SP		1	2D	RF
		2	2B	RF

25-28-14

PART NUMBER	AIRLINE PART NO.	FIG.	ITEM	TTL REQ
413T1002-169SP		1	1E	RF
413T1002-170SP		1	2E	RF
413T1002-291SP		1	1G	RF
413T1002-292SP		1	2G	RF
413T1002-293SP		1	1H	RF
413T1002-294SP		1	2H	RF
413T1002-337SP		1	1J	RF
413T1002-338SP		1	2J	RF
413T1002-81SP		1	1	RF
413T1002-82SP		1	2	RF
413T1002-99SP		1	1A	RF
		2	1	RF
413T1004-20		1	366	1
413T1007-10SP		1	92	1
		2	117	1
413T1007-126SP		1	65C	1
413T1007-73SP		2	81	1
413T1007-86SP		1	65A	1
413T1007-93SP		2	81A	1
413T1010-1		1	82	2
		2	105	2
413T1012-11		1	539J	1
413T1012-15		2	950	1
413T1012-16		2	953	1
413T1013-100		1	182	1
413T1013-101		1	588	1
413T1013-102		1	590	1
413T1013-13		1	540	1
413T1013-14		1	542	1
413T1013-181		1	170	2
413T1013-186		1	172	1

25-28-14

 ILLUSTRATED PARTS LIST
 01.1 Page 1030
 Jan 01/91

PART NUMBER	AIRLINE PART NO.	FIG.	ITEM	TTL REQ
413T1013-209		1	162	1
413T1013-21		1	545	1
413T1013-22		1	548	1
413T1013-267		2	872	1
413T1013-271		2	863	1
413T1013-275		2	857	1
413T1013-276		2	858	1
413T1013-279		2	851	1
413T1013-280		2	852	1
413T1013-29		1	552	1
413T1013-294		2	213	1
413T1013-295		2	219	1
413T1013-296		2	216	1
413T1013-30		1	555	1
413T1013-307		2	201A	1
413T1013-308		2	204A	1
413T1013-35		1	562	1
413T1013-359		2	863A	1
413T1013-36		1	565	1
413T1013-360		2	864A	1
413T1013-363		1	796	1
		2	872A	1
413T1013-364		1	798	1
		2	873A	1
413T1013-387		2	201B	1
413T1013-388		2	204B	1
413T1013-427		2	848C	1
413T1013-429		2	881C	1
413T1013-431		2	848D	1
413T1013-432		2	849C	1
413T1013-433		2	881D	1
413T1013-434		2	882C	1
413T1013-435		2	848E	1
413T1013-436		2	849D	1
413T1013-437		2	881E	1
413T1013-438		2	882D	1
413T1013-447		1	540H	1
413T1013-448		1	542H	1
413T1013-449		1	562H	1
413T1013-45		1	162A	1
413T1013-450		1	565H	1
413T1013-49		1	553	1
413T1013-499		1	562J	1
413T1013-50		1	556	1
413T1013-600		1	565J	1

25-28-14

PART NUMBER	AIRLINE PART NO.	FIG.	ITEM	TTL REQ
413T1013-641		1	540J	1
413T1013-642		1	542J	1
413T1013-647		1	540K	1
413T1013-648		1	542K	1
413T1013-649		1	562K	1
413T1013-650		1	565K	1
413T1013-651		1	589	1
413T1013-652		1	591	1
413T1013-677		1	770	1
413T1013-678		1	772	1
413T1013-679		1	804	1
413T1013-680		1	806	1
413T1013-681		1	788	1
413T1013-682		1	790	1
413T1013-683		1	780	1
413T1013-684		1	782	1
413T1013-687		1	774	1
413T1013-688		1	776	1
413T1013-84		1	170A	2
413T1013-89		1	172A	1
413T1014-1		1	140	1
413T1014-11		2	159	1
413T1014-12		2	159A	1
413T1014-13		1	148A	1
		2	192A	1
413T1014-14		1	140A	1
		2	193	1
413T1014-15		2	171A	1
413T1014-19		1	153	1
413T1014-2		1	148	1
413T1014-20		1	153F	1
413T1014-21		1	154F	1
413T1014-22		1	154N	1
413T1014-3		1	155	2
413T1014-5		1	186	5

25-28-14

 ILLUSTRATED PARTS LIST
 01.1 Page 1032
 Jan 01/91

PART NUMBER	AIRLINE PART NO.	FIG.	ITEM	TTL REQ
413T1014-6		2	237A	5
413T1017-10		1	203	1
413T1017-11		1	190A	1
		2	243	1
413T1017-12		1	192A	1
		2	246	1
413T1017-13		1	202A	1
		2	258	1
413T1017-14		1	203A	1
		2	261	1
413T1017-15		1	190G	1
413T1017-16		1	192G	1
413T1017-17		1	191	1
		2	243A	1
413T1017-18		1	193	1
		2	246A	1
413T1017-19		1	202G	1
413T1017-20		1	203G	1
413T1017-21		1	202J	1
		2	258A	1
413T1017-22		1	203J	1
		2	261A	1
413T1017-23		1	190J	1
413T1017-24		1	192J	1
413T1017-25		1	191G	1
		2	243B	1
413T1017-26		1	193G	1
		2	246B	1
413T1017-27		1	202P	1
413T1017-28		1	203P	1
413T1017-29		1	202S	1
		2	258B	1
413T1017-3		1	342	2
		2	427	2

25-28-14

ILLUSTRATED PARTS LIST
01.1 Page 1033
Jan 01/91

PART NUMBER	AIRLINE PART NO.	FIG.	ITEM	TTL REQ
413T1017-30		1	203S	1
		2	261B	1
413T1017-31		1	190L	1
413T1017-32		1	192L	1
413T1017-33		1	202T	1
413T1017-34		1	203T	1
413T1017-7		1	190	1
413T1017-8		1	192	1
413T1017-9		1	202	1
413T1020-1		1	275	2
		1	276	2
413T1020-2		2	357	2
		1	282	2
413T1020-4		2	366	2
		1	276A	2
413T1020-5		2	357B	2
		1	282J	2
413T1021-1		2	366A	2
		1	288	2
413T1021-2		2	378	2
		1	295	2
413T1022-10		2	387	2
		1	262	1
413T1022-11		2	342	1
		1	251J	1
413T1022-12		2	327B	1
		1	253J	1
413T1022-13		2	330B	1
		1	261	1
413T1022-14		2	339A	1
		1	263	1
413T1022-17		2	342A	1
		1	263A	1
413T1022-18		2	339B	1
		1	263B	1
		2	342B	1

25-28-14

 ILLUSTRATED PARTS LIST
 01.1 Page 1034
 Jan 01/91

PART NUMBER	AIRLINE PART NO.	FIG.	ITEM	TTL REQ
413T1022-19		1	251M	1
		2	327E	1
413T1022-20		1	253L	1
		2	330E	1
413T1022-7		1	250	1
		1	251	1
		2	327	1
413T1022-8		1	252	1
		1	253	1
		2	330	1
413T1022-9		1	260	1
		2	339	1
413T1023-1		1	232	1
		2	306	1
413T1023-2		1	235	1
		2	309	1
413T1023-3		1	245	1
		2	321	1
413T1023-4		1	248	1
		2	324	1
413T1024-2		1	110	1
		2	126	1
413T1028-2		1	72A	1
		2	93A	1
413T1028-4		1	67A	1
		2	84A	1
413T1028-5		1	67B	1
		2	84B	1
413T1030-3		1	138	1
		2	156	1
413T1030-4		1	138A	1
		2	156A	1
413T1081-11		1	385	1
413T1081-21		2	485	1
413T1081-22		2	488	1
413T1081-23		2	512	1
413T1081-24		2	515	1
413T1081-43		1	369	1
		1	383	1
413T1081-44		1	369N	1
		1	384	1

25-28-14

PART NUMBER	AIRLINE PART NO.	FIG.	ITEM	TTL REQ
413T1081-5		1	368	1
413T1083-10		1	221	2
		2	291A	2
413T1083-11		1	283K	2
		2	369A	2
413T1083-2		1	222	2
		2	294	2
413T1083-3		1	220	2
		2	291	2
413T1083-5		1	270	4
		2	351	4
413T1083-6		1	283	2
		2	369	2
413T1083-8		1	298	2
		2	390	2
413T1083-9		1	222J	2
		2	294A	2
413T1084-1		1	285	2
		2	375	2
413T1085-3		1	228	2
		2	303	2
413T1085-4		1	225	4
		2	300	4
413T1086-1		1	210	1
		2	276	1
413T1086-10		1	305	1
		2	396	1
413T1086-11		1	315	1
		2	403	1
413T1086-12		1	318	1
413T1086-12		2	406	1
413T1086-13		1	205	1
		2	264	1
		2	265	1
413T1086-14		1	205B	1
		2	267	1
		2	268	1
413T1086-15		1	320	1
413T1086-16		1	322	1
413T1086-17		1	340	1
413T1086-18		1	338B	1
413T1086-19		1	205A	1
		2	264A	1
		2	265A	1

25-28-14

 ILLUSTRATED PARTS LIST
 01.1 Page 1036
 Jan 01/91

PART NUMBER	AIRLINE PART NO.	FIG.	ITEM	TTL REQ
413T1086-2		1	210A	1
		2	278	1
413T1086-20		1	205C	1
		2	267A	1
		2	268A	1
413T1086-21		1	209	2
		2	274	2
413T1086-23		1	325	1
		2	409	1
413T1086-24		1	326	1
		2	412	1
413T1086-25		1	336	1
		2	421	1
413T1086-26		1	337	1
		2	424	1
413T1086-27		1	325A	1
		2	409A	1
413T1086-28		1	326A	1
		2	412A	1
413T1086-29		1	336A	1
		2	421A	1
413T1086-3		1	320A	1
		1	337A	1
413T1086-30		2	424A	1
		1	205G	1
413T1086-31		2	264B	1
		2	265B	1
		1	205M	1
413T1086-32		2	267B	1
		2	268B	1
		1	302B	1
413T1086-35		2	393B	1

25-28-14

ILLUSTRATED PARTS LIST
01.1 Page 1037
Jan 01/91

PART NUMBER	AIRLINE PART NO.	FIG.	ITEM	TTL REQ
413T1086-36		1	305B	1
		2	396B	1
413T1086-37		1	315A	1
		2	403A	1
413T1086-38		1	318A	1
		2	406A	1
413T1086-4		1	322A	1
413T1086-5		1	338A	1
413T1086-6		1	340A	1
413T1086-7		1	214	2
		2	282	2
413T1086-9		1	302	1
		2	393	1
413T1087-1		1	272	2
		2	354	2
413T1090-1		1	122	1
		2	138	1
413T1090-3		1	118	1
		2	132	1
413T1091-1		1	125	1
		2	141	1
413T1092-2		1	135	1
		2	153	1
413T1093-2		1	120	1
		2	135	1
413T1093-3		1	75	1
		2	96	1
413T1098-1		1	539G	7
		2	947	7
413T1118-3		1	85	1
		2	108	1
413T1118-4		1	87	1
413T1118-4		2	111	1
413T1126-1		2	768	1

25-28-14

 ILLUSTRATED PARTS LIST
 01.1 Page 1038
 Jan 01/91

PART NUMBER	AIRLINE PART NO.	FIG.	ITEM	TTL REQ
413T1126-10		2	842	1
413T1126-11		2	803	1
413T1126-12		2	804	1
413T1126-13		1	738	1
		2	833	1
413T1126-14		1	740	1
		2	836	1
413T1126-15		2	774	1
413T1126-16		2	776	1
413T1126-17		2	781	1
413T1126-18		2	781A	1
413T1126-19		2	920	1
413T1126-20		2	923	1
413T1126-21		2	935	1
413T1126-22		2	938	1
413T1126-25		1	718	1
413T1126-26		1	720	1
413T1126-27		1	728	1
413T1126-28		1	730	1
413T1126-3		2	805	1
413T1126-34		1	766A	1
413T1126-35		1	768A	1
413T1126-4		2	806	1
413T1126-5		2	802	1
413T1126-6		2	825	1
413T1126-7		2	817	1
413T1126-8		2	820	1
413T1126-9		2	839	1
413T1127-1		2	845	1
413T1132-1		1	79	1
		2	100	1
413T1136-101		1	162M	1
413T1136-53		2	201C	1
413T1136-54		2	204C	1
413T1136-55		2	201D	1
413T1136-56		2	204D	1

25-28-14

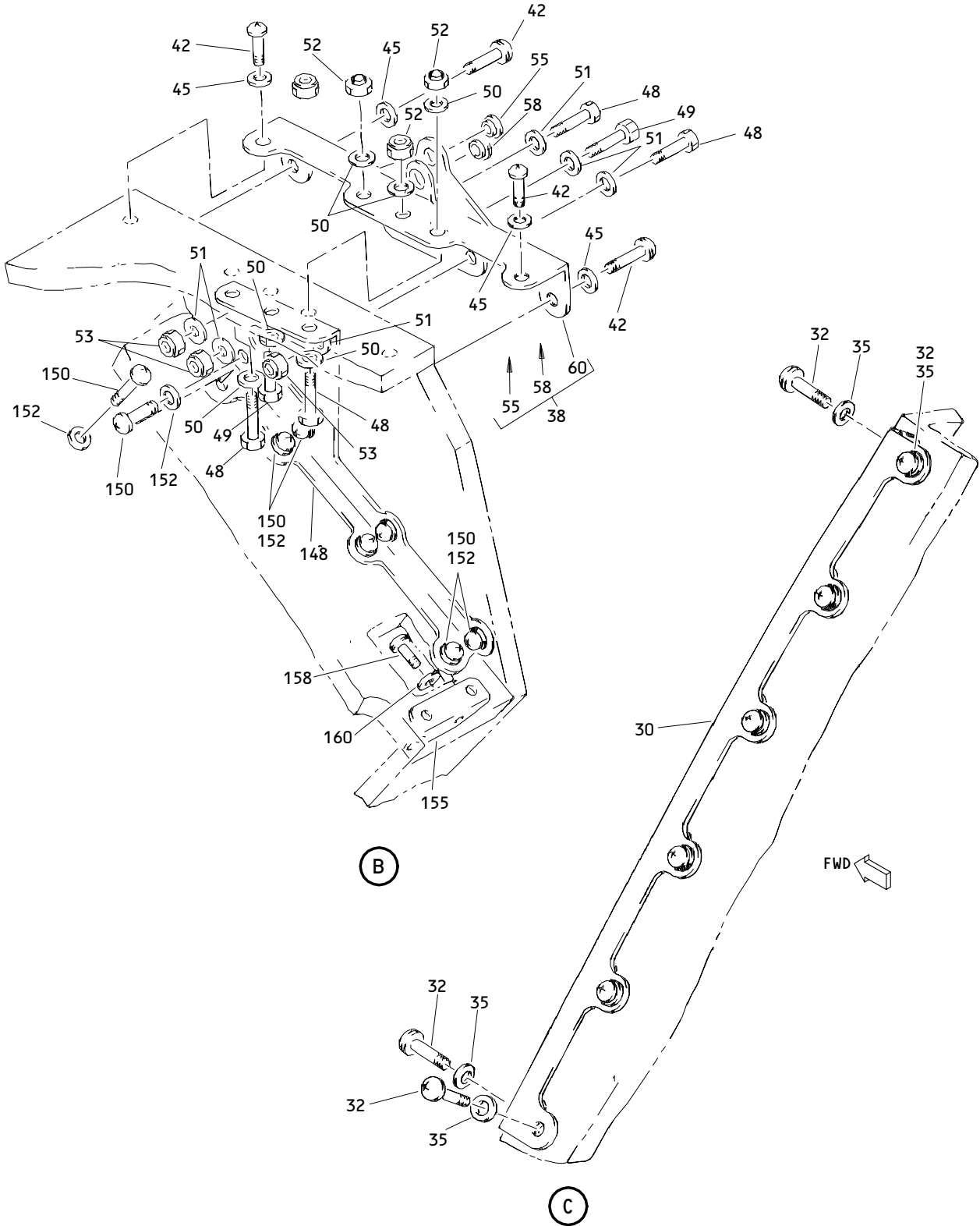
PART NUMBER	AIRLINE PART NO.	FIG.	ITEM	TTL REQ
413T1136-61		1	174	1
		2	220	3
413T1136-77		1	162J	1
413T1137-1		1	341	2
413T1138-1		1	345Q	2
413T1139-1		1	341E	2
413T1139-2		1	341V	2
413T1140-1		1	345E	2
5R3-1		1	344	2
		2	433	2
5S1-6		1	216	2
		2	285	2
5S3-2		1	218	2
		2	288	2
55282		1	525	1
		2	724	1
6035-04BR0219		1	310A	2
		1	328A	2
		2	400A	2
		2	415A	2
6041-3BR0375		1	332A	6
		2	418A	6
		1	502A	1
		2	696A	1
96-02		1	18	3
		1	52	3
		1	469N	3
		1	473J	4
		1	482	9
		2	27	6
		2	69	5
		2	189	1
		2	200	1
		2	625	2
		2	676	7
		2	746	2
96-82		2	765	1
		2	795	2
		1	128	1
		1	404J	2
		2	144	1
		2	544	2
97E054		1	496F	1

25-28-14

 ILLUSTRATED PARTS LIST
 01.1 Page 1040
 Jan 01/91

PART NUMBER	AIRLINE PART NO.	FIG.	ITEM	TTL REQ
97E054		1	508	1
		2	702	1
97E48		1	488	1
9994		1	191H	1
			193H	1
		2	243C	1
			246C	1

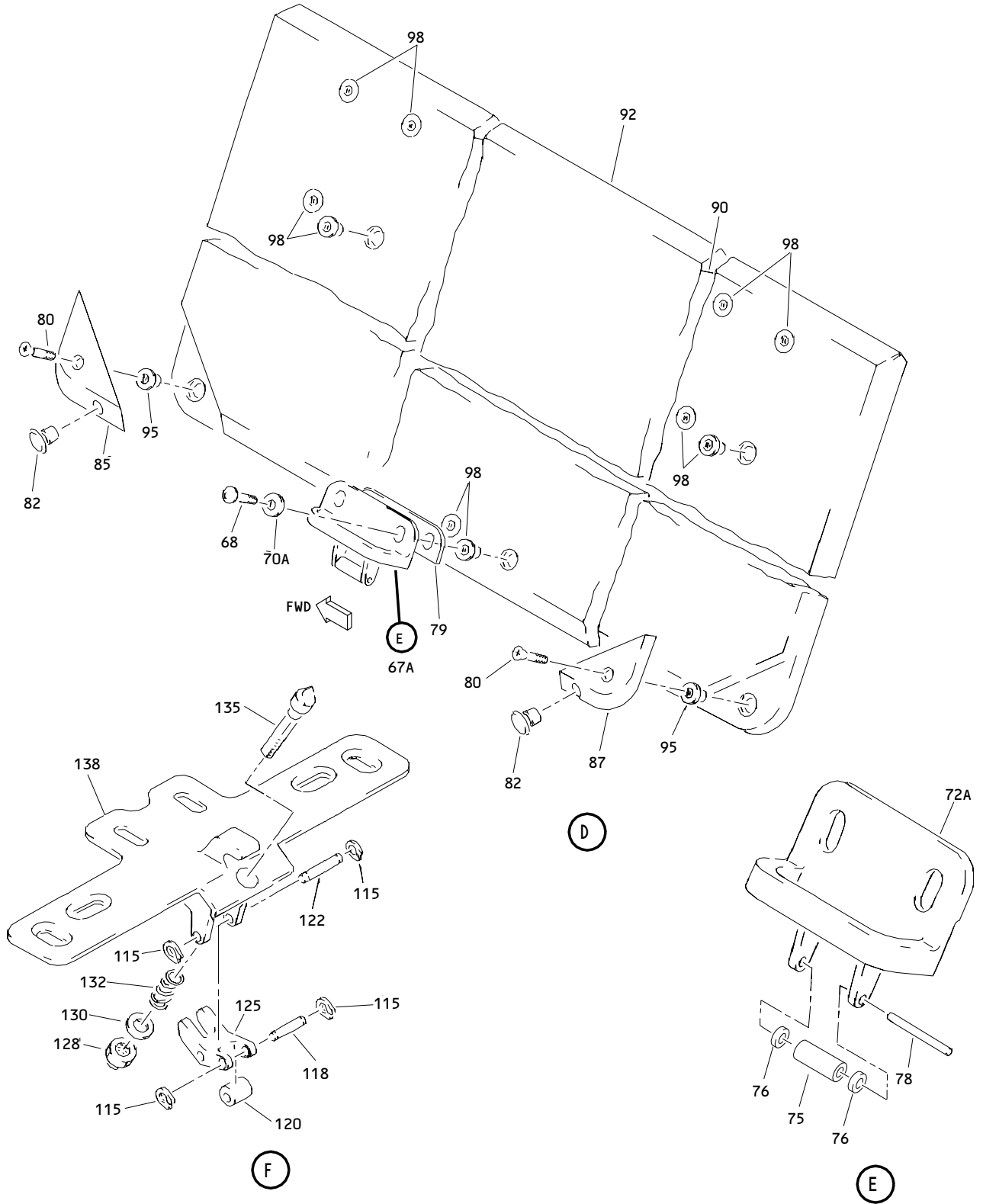
25-28-14



Outboard Overhead Storage 44 Inch Bin Assembly
 Figure 1 (Sheet 2)

25-28-14

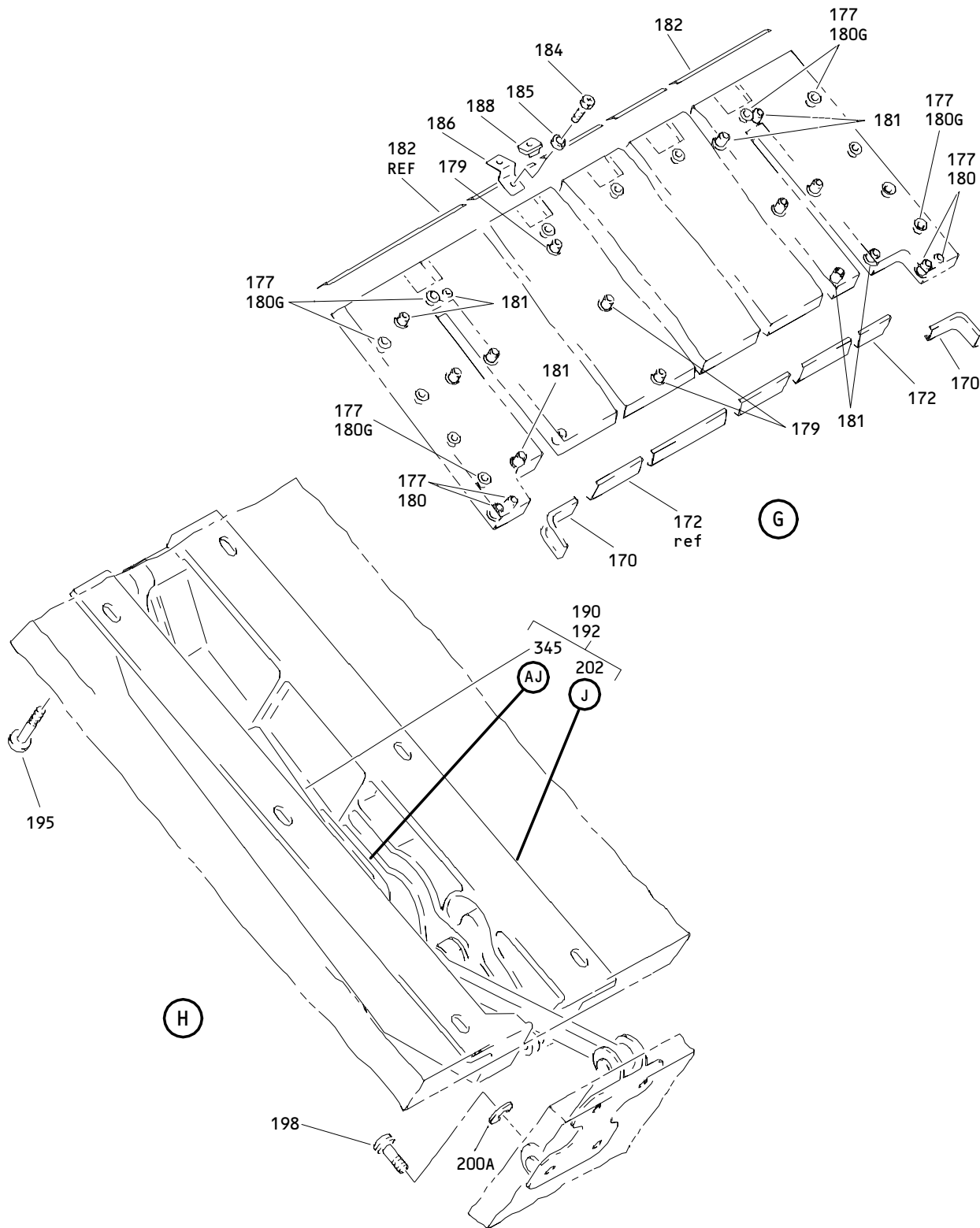
ILLUSTRATED PARTS LIST
 01.1 Page 1044
 Jan 01/91



Outboard Overhead Stowage 44 Inch Bin Assembly
Figure 1 (Sheet 3)

25-28-14

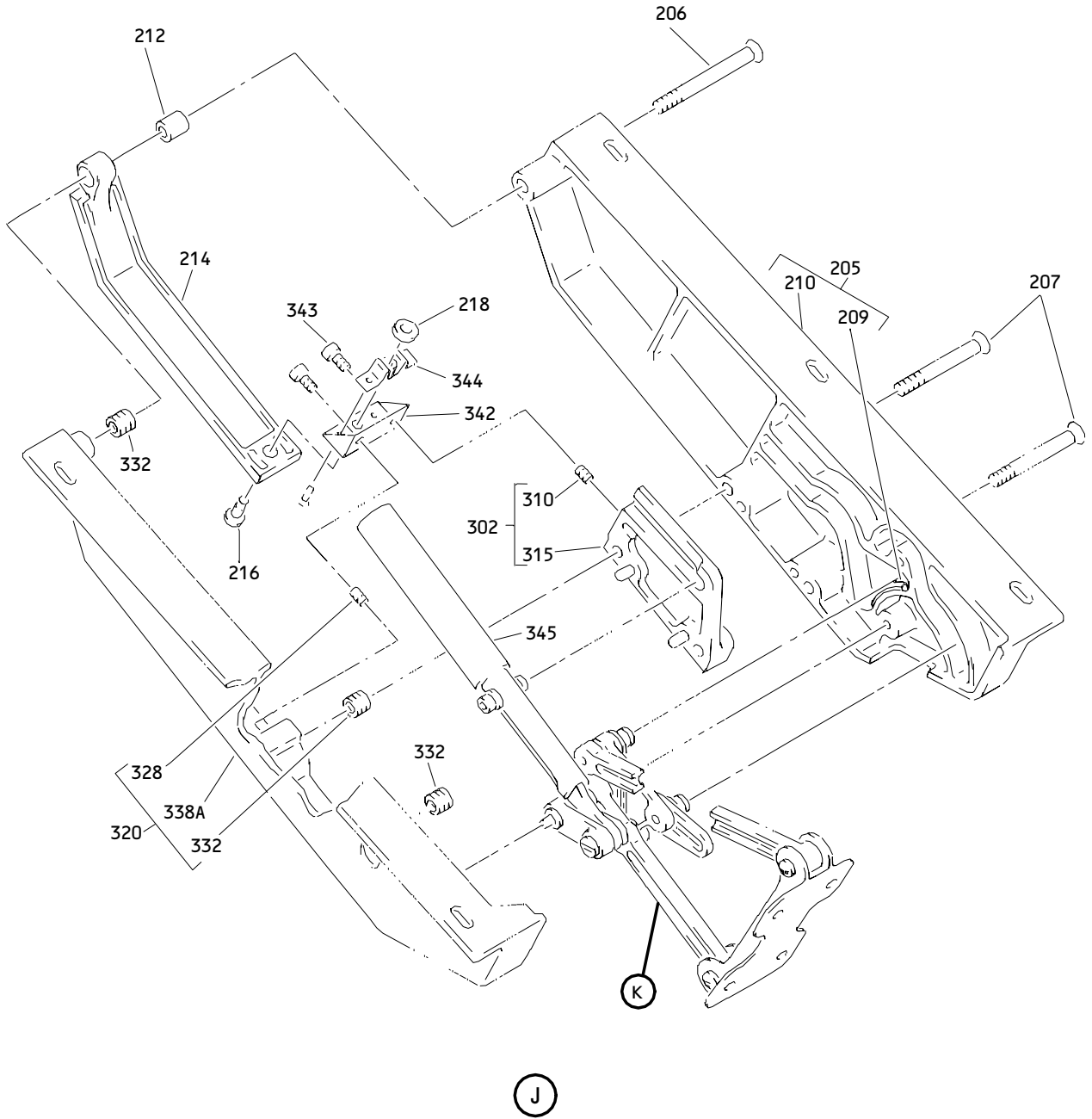
ILLUSTRATED PARTS LIST
01.1 Page 1045
Jan 01/91



Outboard Overhead Storage 44 Inch Bin Assembly
 Figure 1 (Sheet 4)

25-28-14

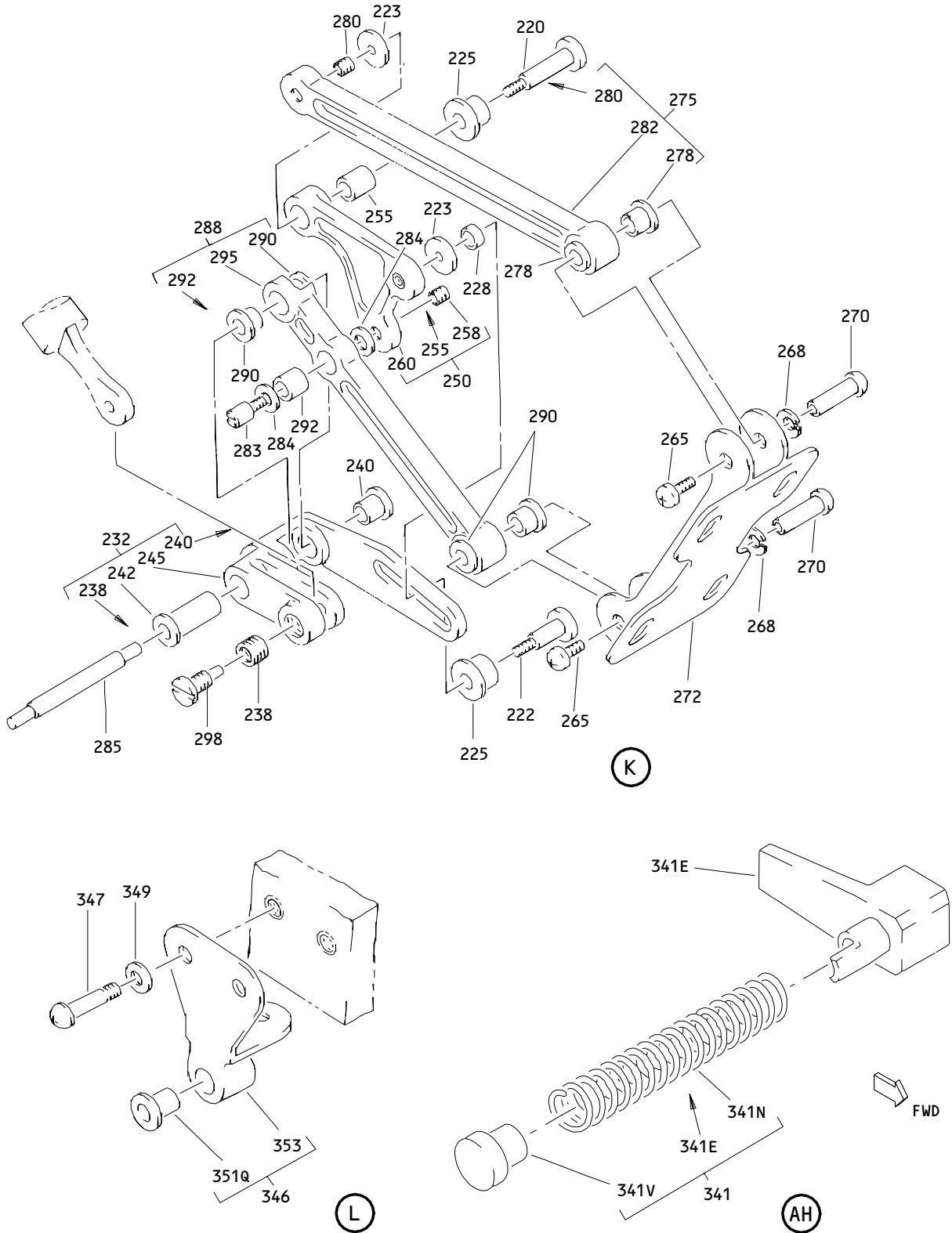
ILLUSTRATED PARTS LIST
 01.1 Page 1046
 Jan 01/91



Outboard Overhead Stowage 44 Inch Bin Assembly
Figure 1 (Sheet 5)

25-28-14

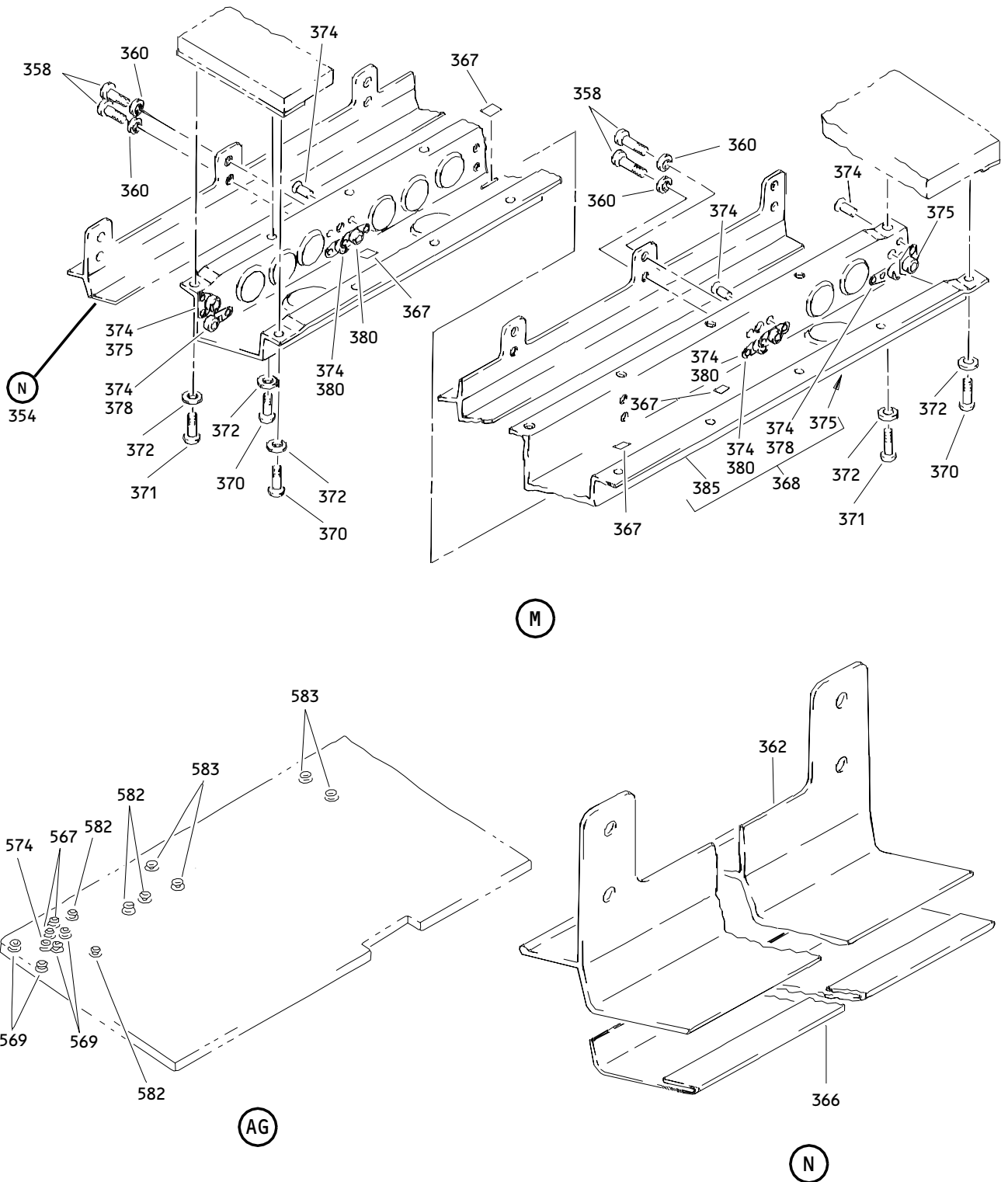
ILLUSTRATED PARTS LIST
01.1 Page 1047
Jan 01/91



Outboard Overhead Stowage 44 Inch Bin Assembly
 Figure 1 (Sheet 6)

25-28-14

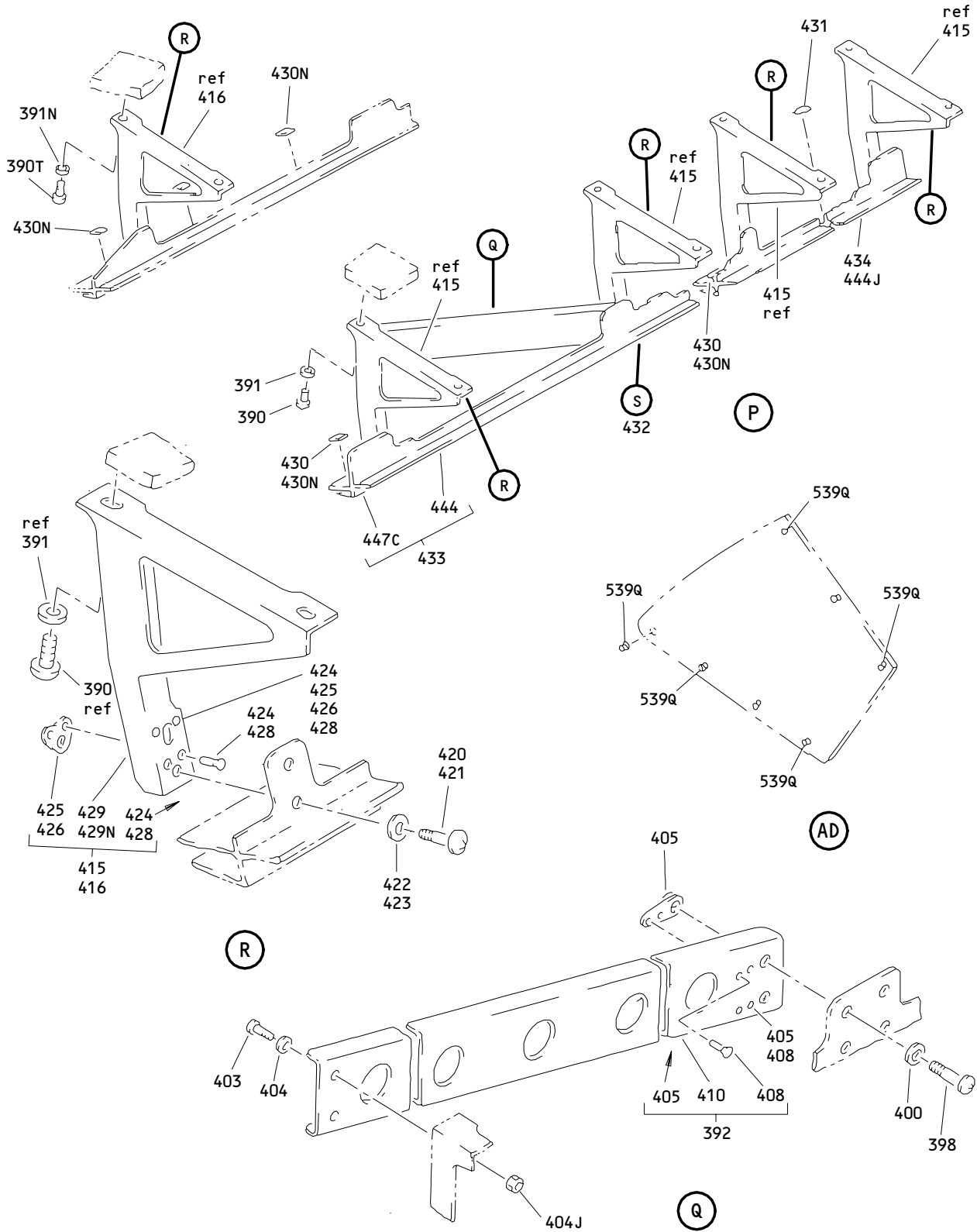
ILLUSTRATED PARTS LIST
 01.1 Page 1048
 Jan 01/91



Outboard Overhead Storage 44 Inch Bin Assembly
Figure 1 (Sheet 7)

25-28-14

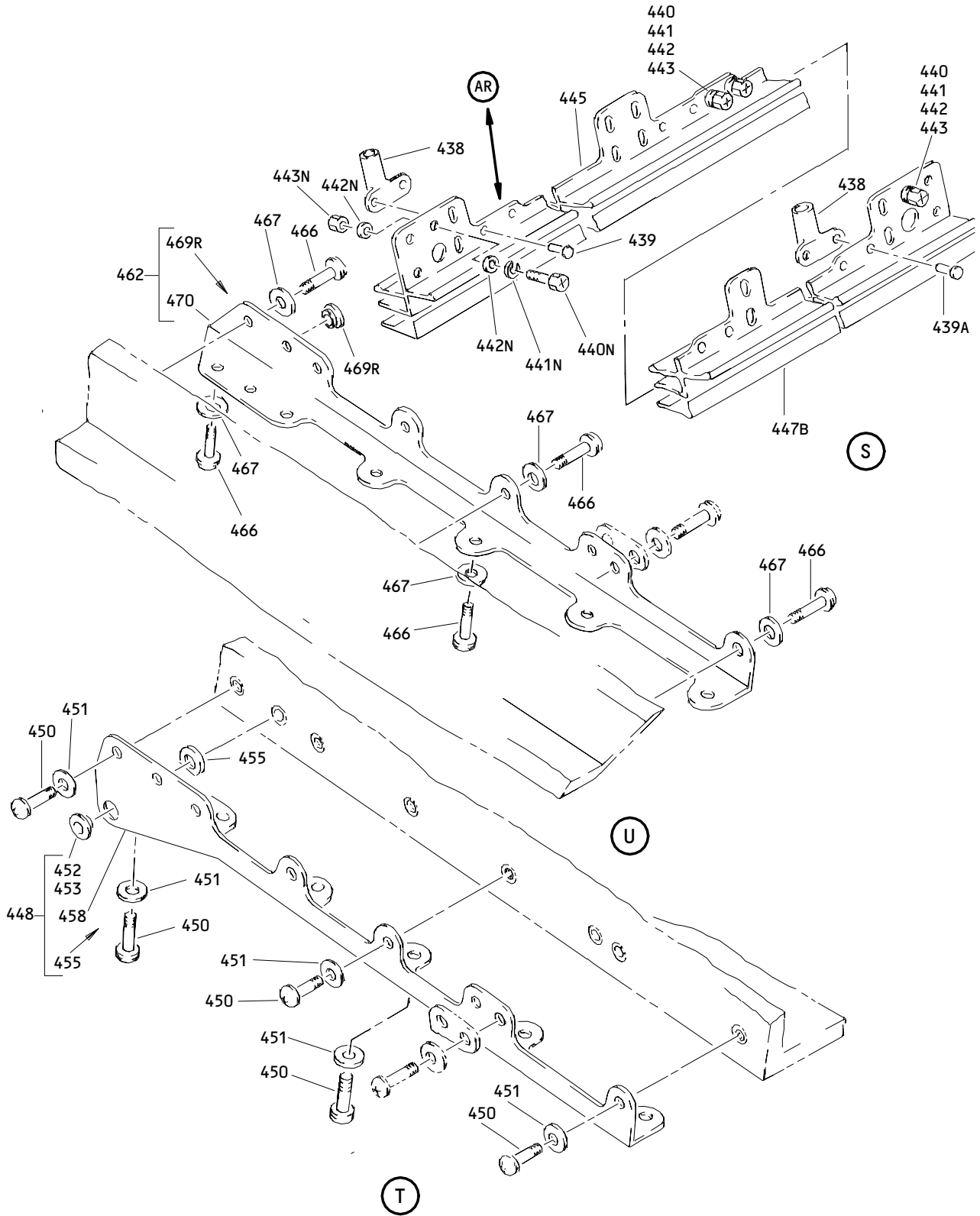
ILLUSTRATED PARTS LIST
01.1 Page 1049
Jan 01/91



Outboard Overhead Storage 44 Inch Bin Assembly
 Figure 1 (Sheet 8)

25-28-14

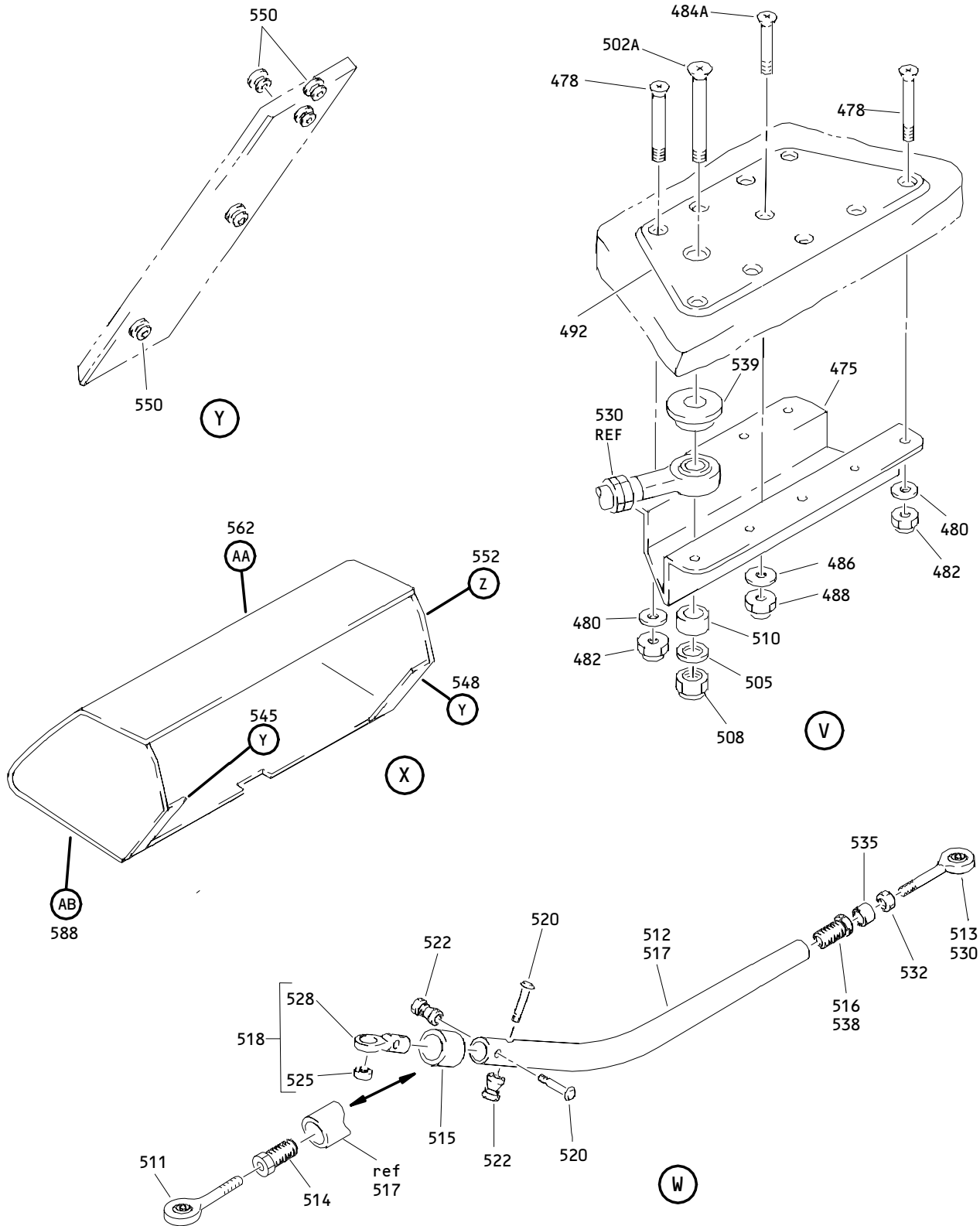
ILLUSTRATED PARTS LIST
 01.1 Page 1050
 Jan 01/91



Outboard Overhead Stowage 44 Inch Bin Assembly
Figure 1 (Sheet 9)

25-28-14

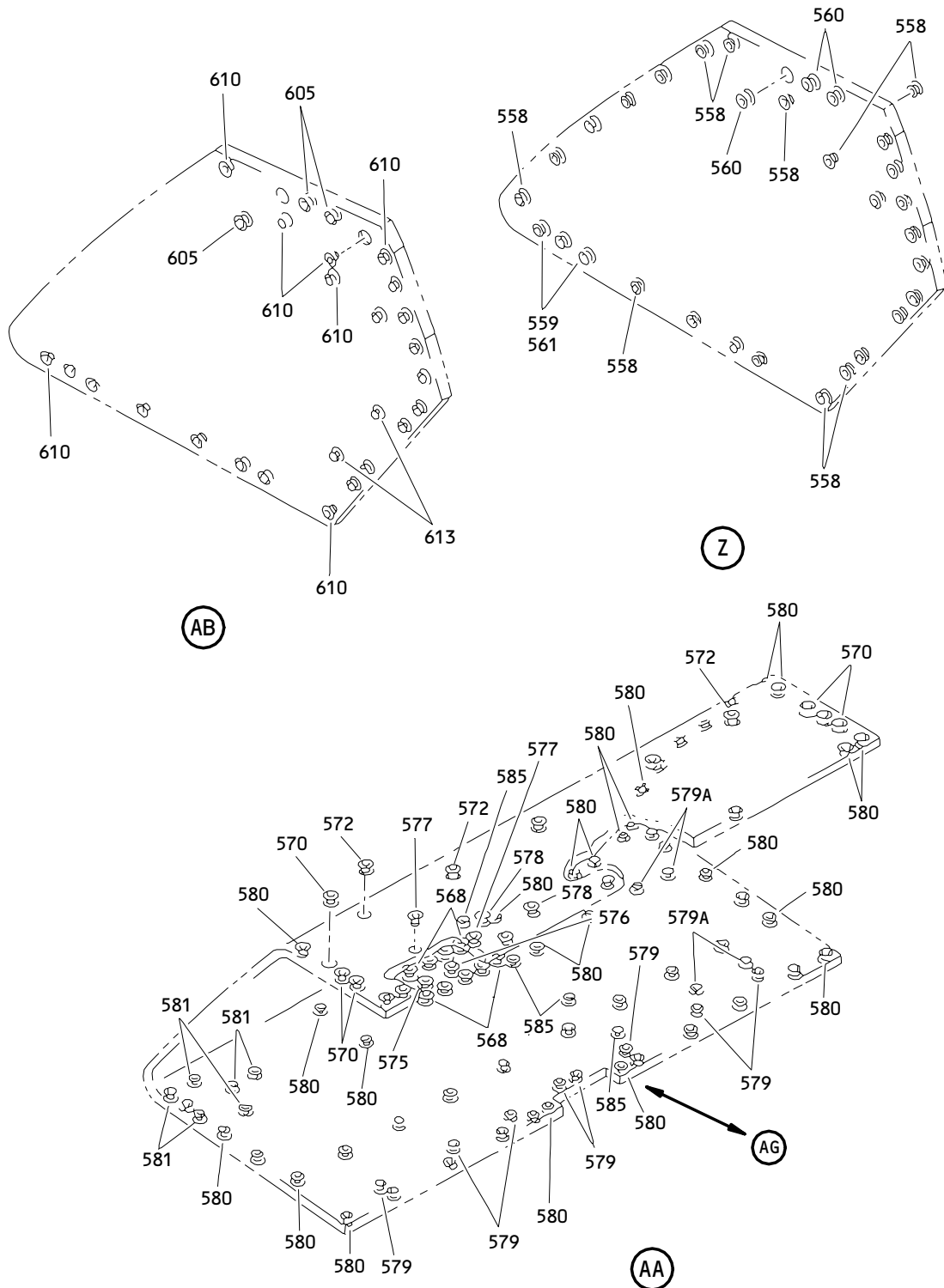
ILLUSTRATED PARTS LIST
01.1 Page 1051
Jan 01/91



Outboard Overhead Storage 44 Inch Bin Assembly
 Figure 1 (Sheet 10)

25-28-14

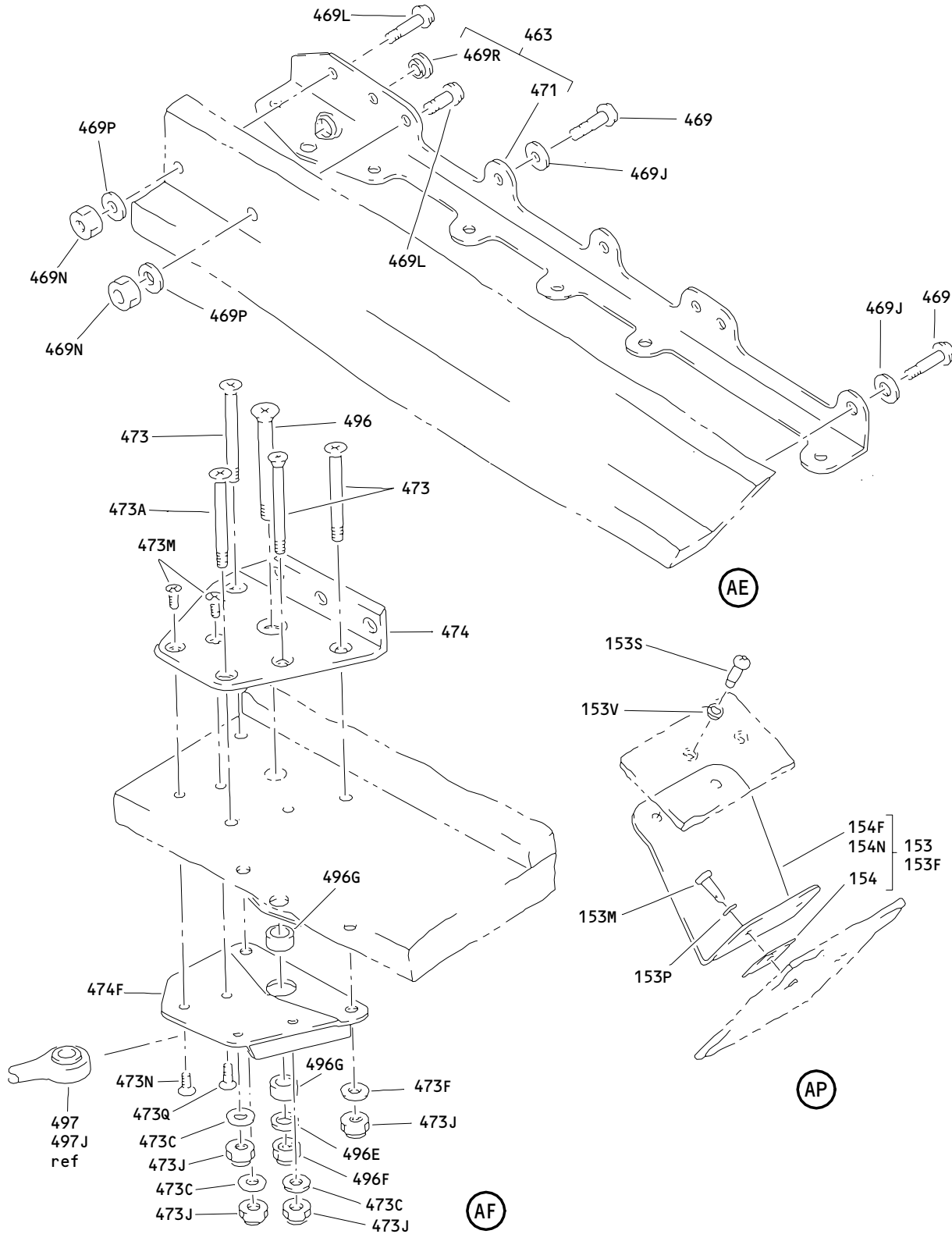
ILLUSTRATED PARTS LIST
 01.1 Page 1052
 Jan 01/91



Outboard Overhead Stowage 44 Inch Bin Assembly
Figure 1 (Sheet 11)

25-28-14

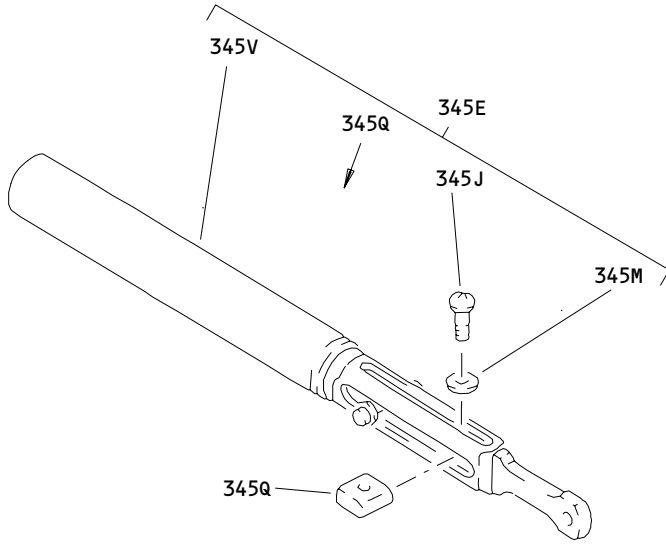
ILLUSTRATED PARTS LIST
01.1 Page 1053
Jan 01/91



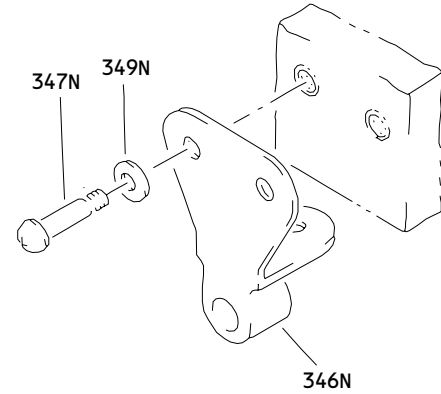
Outboard Overhead Stowage 44 Inch Bin Assembly
 Figure 1 (Sheet 12)

25-28-14

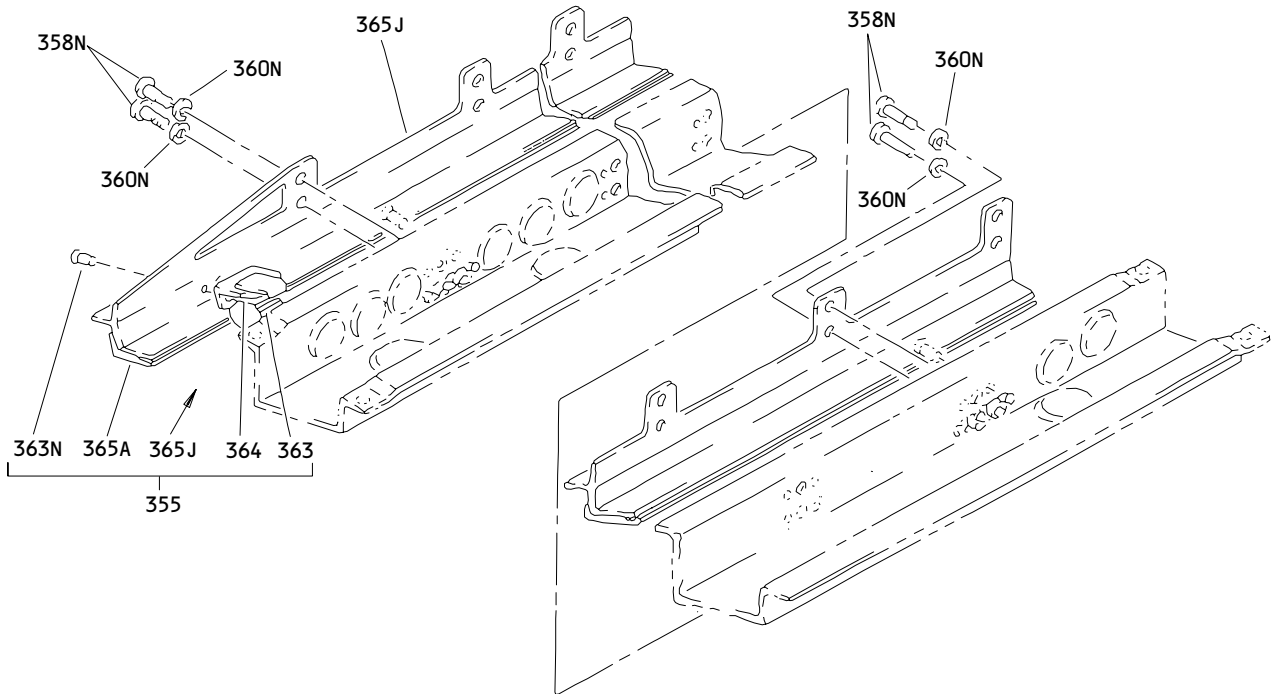
ILLUSTRATED PARTS LIST
 01.1 Page 1054
 Jan 01/91



(AJ)



(AK)

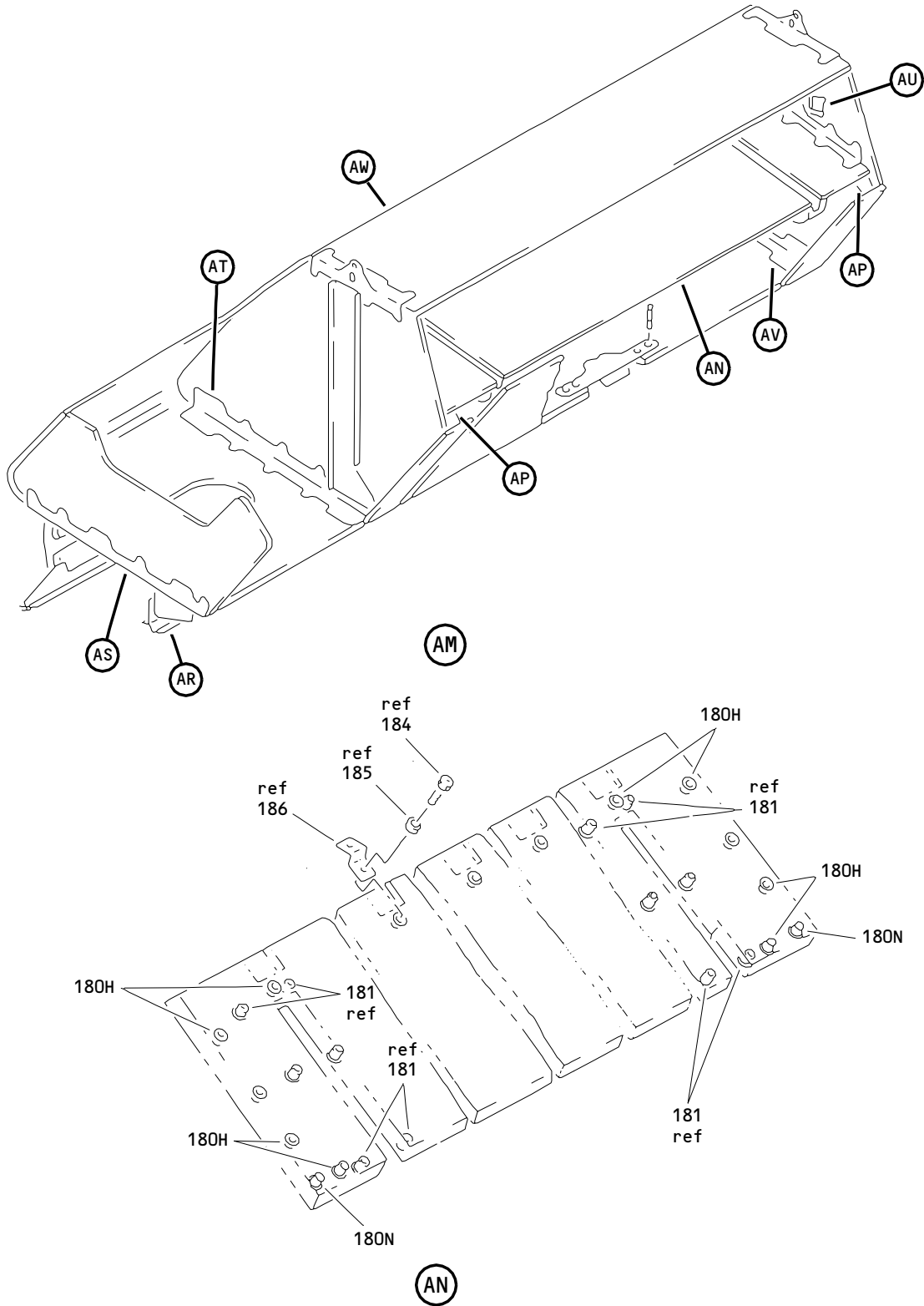


(AL)

Outboard Overhead Stowage 44 Inch Bin Assembly
Figure 1 (Sheet 13)

25-28-14

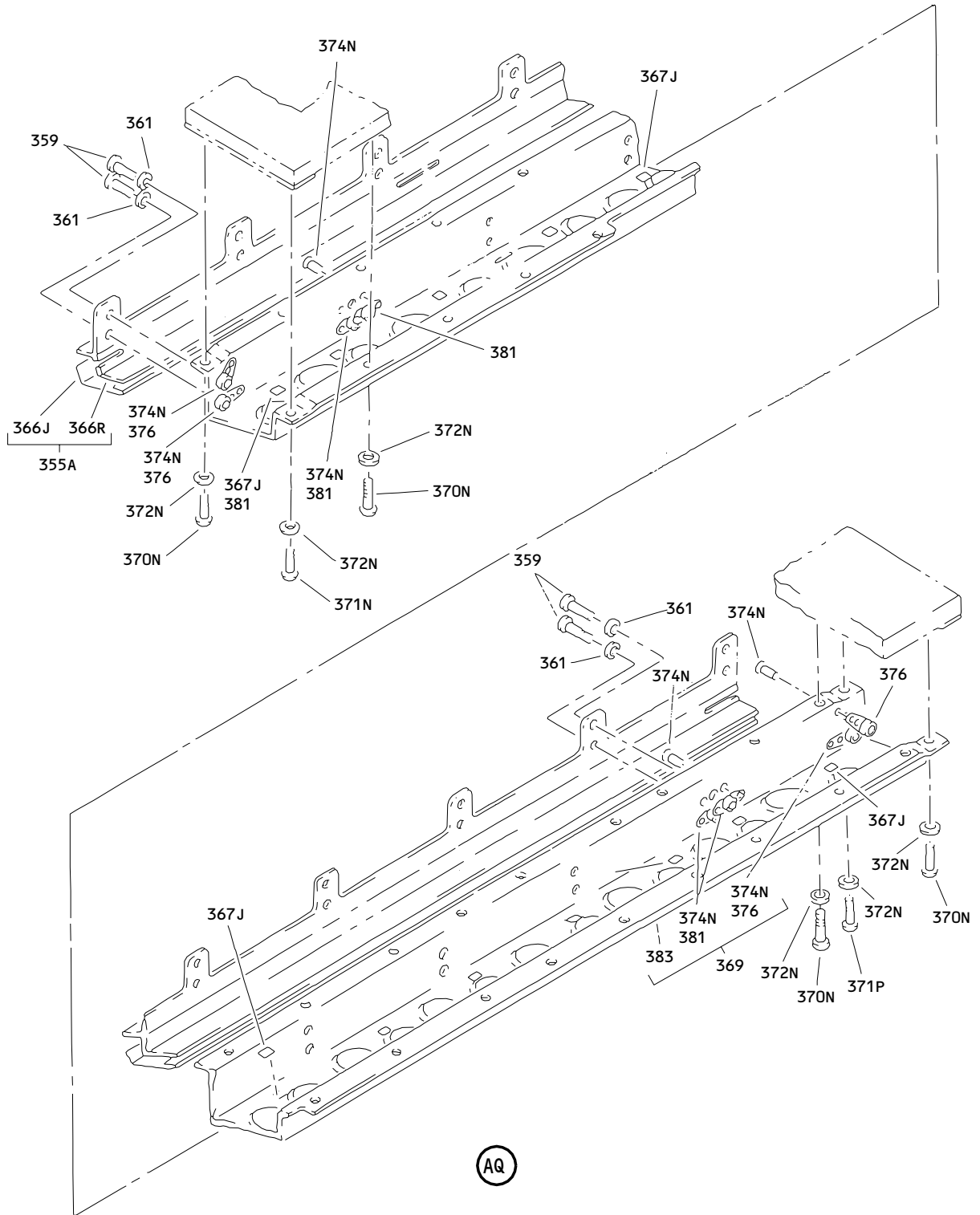
ILLUSTRATED PARTS LIST
01.1 Page 1055
Jan 01/91



Outboard Overhead Storage 44 Inch Bin Assembly
 Figure 1 (Sheet 14)

25-28-14

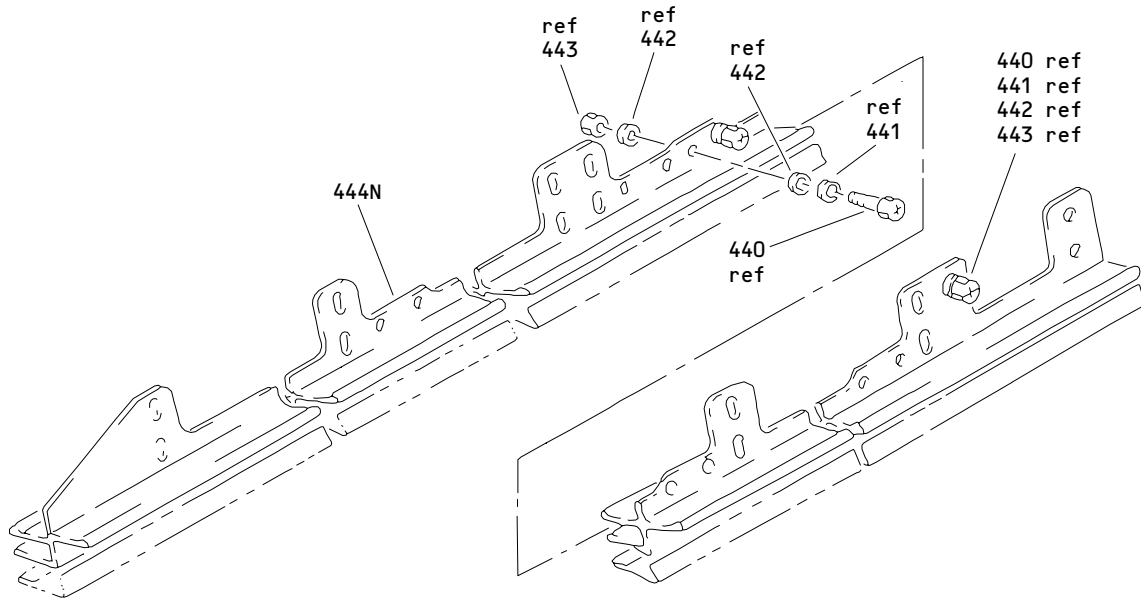
ILLUSTRATED PARTS LIST
 01.1 Page 1056
 Jan 01/91



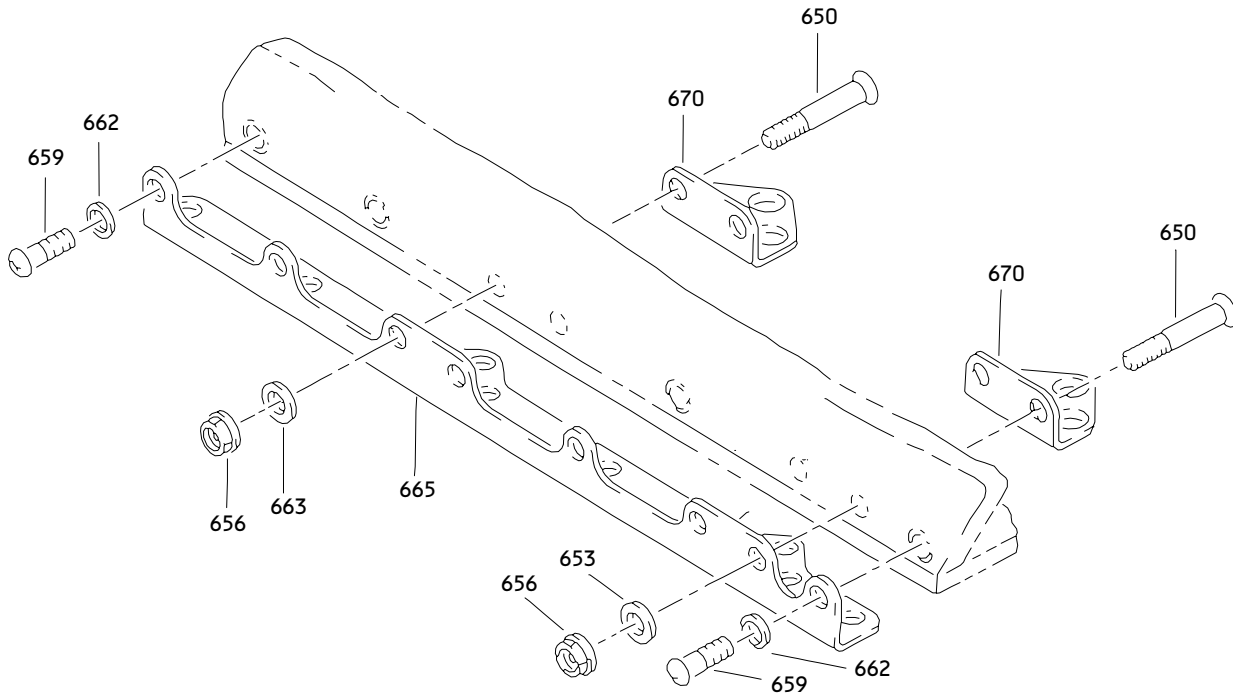
Outboard Overhead Stowage 44 Inch Bin Assembly
Figure 1 (Sheet 15)

25-28-14

ILLUSTRATED PARTS LIST
01.1 Page 1057
Jan 01/91



(AR)

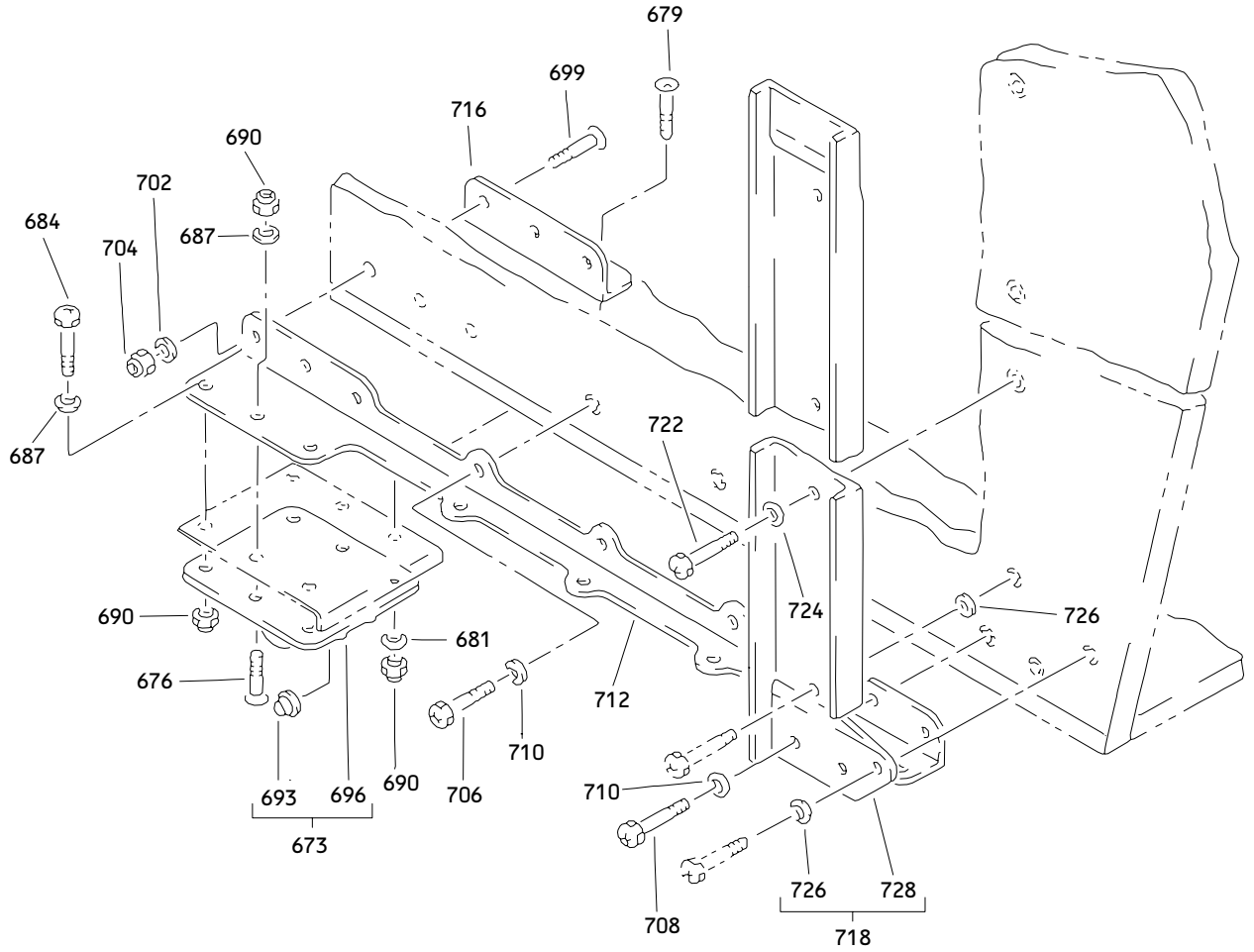


(AS)

Outboard Overhead Storage 44 Inch Bin Assembly
 Figure 1 (Sheet 16)

25-28-14

ILLUSTRATED PARTS LIST
 01.1 Page 1058
 Jan 01/91

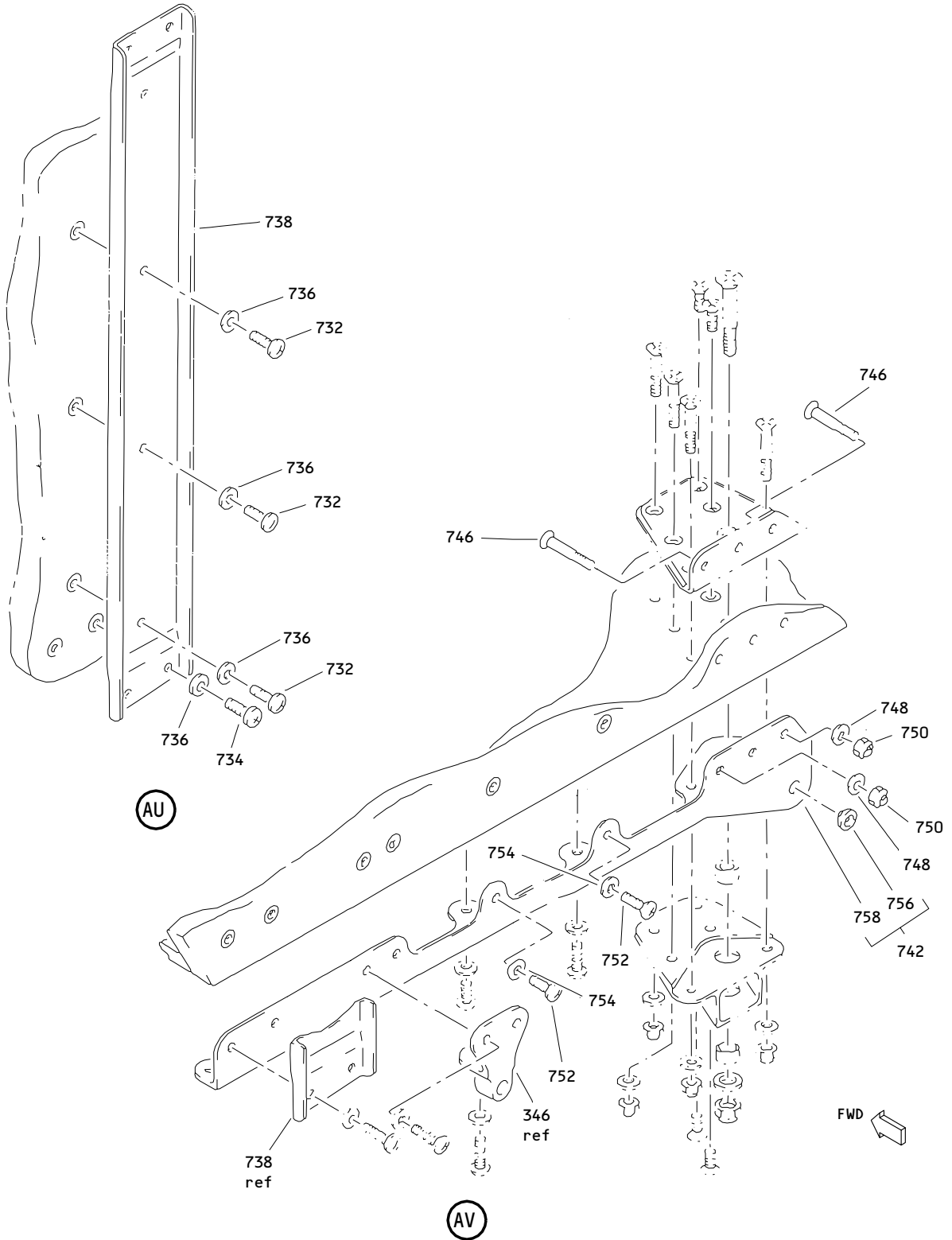


(AT)

Outboard Overhead Stowage 44 Inch Bin Assembly
Figure 1 (Sheet 17)

25-28-14

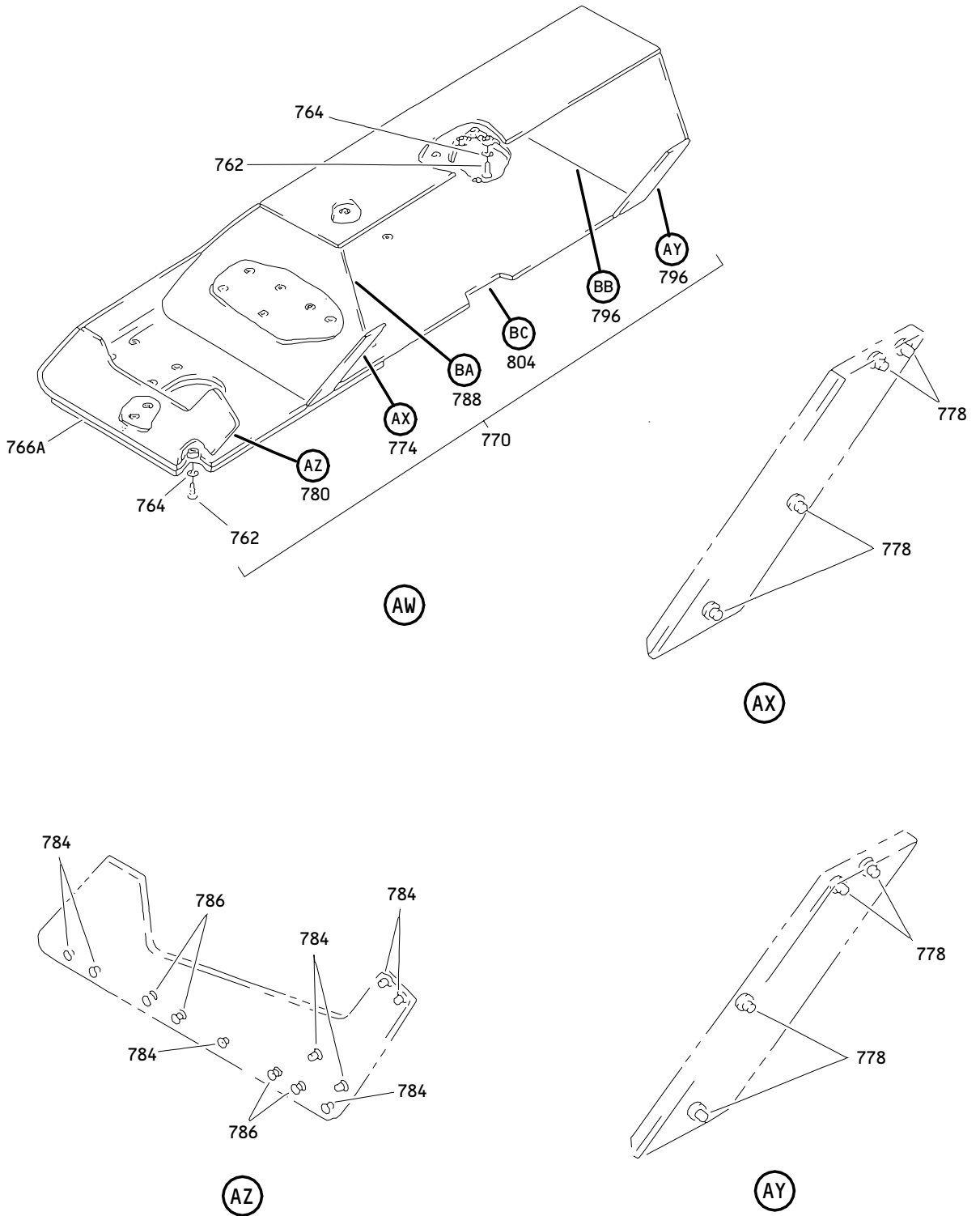
ILLUSTRATED PARTS LIST
01.1 Page 1059
Jan 01/91



Outboard Overhead Storage 44 Inch Bin Assembly
 Figure 1 (Sheet 18)

25-28-14

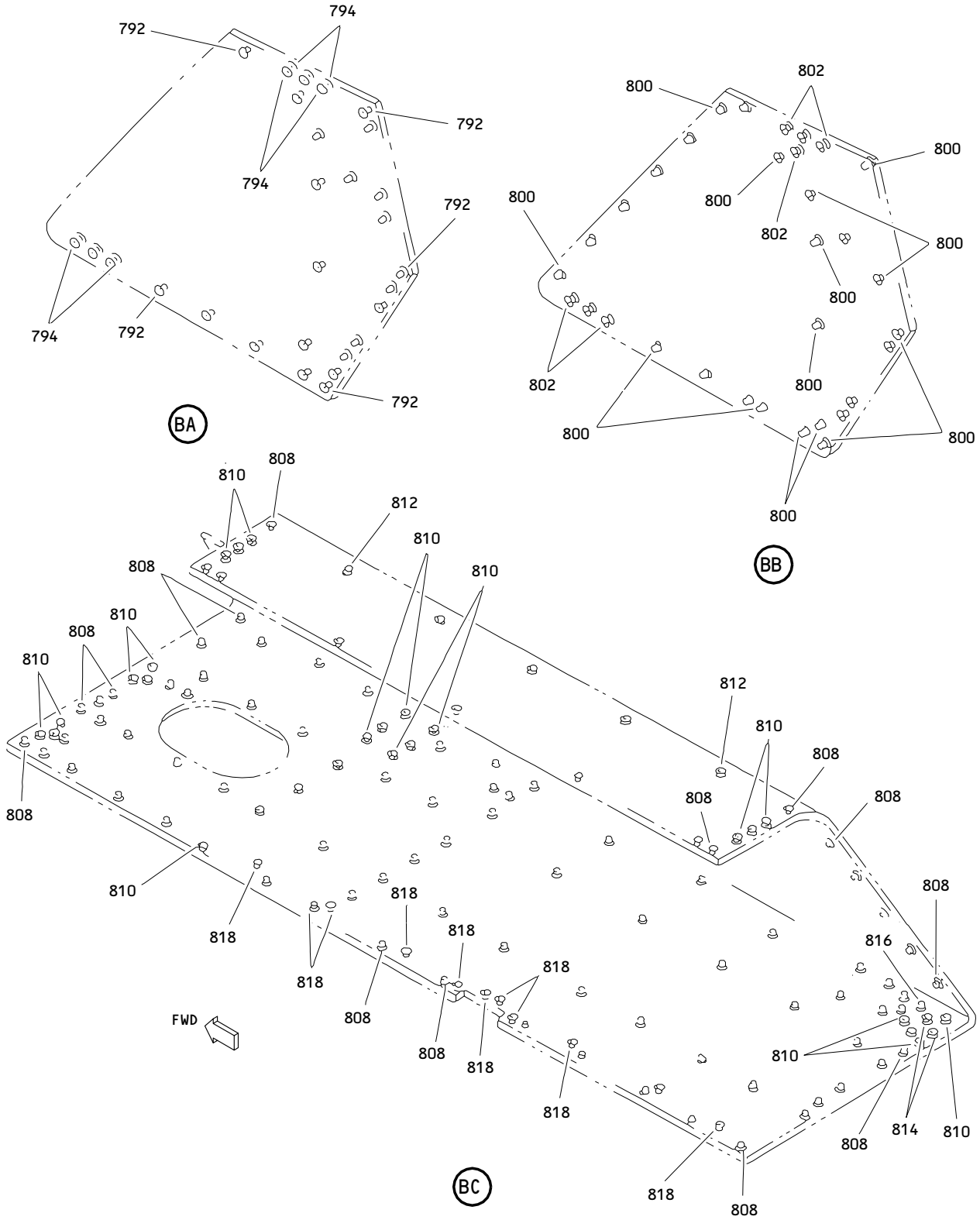
ILLUSTRATED PARTS LIST
 01.1 Page 1060
 Jan 01/91



Outboard Overhead Stowage 44 Inch Bin Assembly
Figure 1 (Sheet 19)

25-28-14

ILLUSTRATED PARTS LIST
01.1 Page 1061
Jan 01/91



Outboard Overhead Stowage 44 Inch Bin Assembly
 Figure 1 (Sheet 20)

25-28-14

ILLUSTRATED PARTS LIST
 01.1 Page 1062
 Jan 01/91

810601

FIG. & ITEM	PART NO.	AIRLINE PART NUMBER	NOMENCLATURE 1234567	EFF CODE	QTY PER ASSY
01- -1	413T1002-81SP		BIN ASSY-OUTBD OVERHEAD STOWAGE (LH)	A	RF
-1A	413T1002-99SP		BIN ASSY-OUTBD OVERHEAD STOWAGE (LH)	C	RF
R -1B	413T1002-127SP		(FOR DETAILS SEE FIG. 2) BIN ASSY-OUTBD OVERHEAD STOWAGE (LH)	E	RF
R -1C	413T1002-149SP		BIN ASSY-OUTBD OVERHEAD STOWAGE (LH)	G	RF
R -1D	413T1002-155SP		(FOR DETAILS SEE FIG. 2) BIN ASSY-OUTBD OVERHEAD STOWAGE (LH)	H	RF
R -1E	413T1002-169SP		(FOR DETAILS SEE FIG. 2) BIN ASSY-OUTBD OVERHEAD STOWAGE (LH)	L	RF
-1F	413T1002-229SP		DELETED		
R -1G	413T1002-291SP		BIN ASSY-OUTBD OVERHEAD STOWAGE (LH)	Q	RF
R -1H	413T1002-293SP		BIN ASSY-OUTBD OVERHEAD STOWAGE (LH)	S	RF
R -1J	413T1002-337SP		BIN ASSY-OUTBD OVERHEAD STOWAGE (LH)	U	RF
-2	413T1002-82SP		BIN ASSY-OUTBD OVERHEAD STOWAGE (RH)	B	RF
-2A	413T1002-100SP		DELETED		
R -2B	413T1002-128SP		BIN ASSY-OUTBD OVERHEAD STOWAGE (RH)	F	RF
R -2C	413T1002-150SP		BIN ASSY-OUTBD OVERHEAD STOWAGE (RH)	J	RF
R -2D	413T1002-156SP		(FOR DETAILS SEE FIG. 2) BIN ASSY-OUTBD OVERHEAD STOWAGE (RH)	K	RF
R -2E	413T1002-170SP		(FOR DETAILS SEE FIG. 2) BIN ASSY-OUTBD OVERHEAD STOWAGE (RH)	M	RF
-2F	413T1002-230SP		DELETED		
R -2G	413T1002-292SP		BIN ASSY-OUTBD OVERHEAD STOWAGE (RH)	R	RF
R -2H	413T1002-294SP		BIN ASSY-OUTBD OVERHEAD STOWAGE (RH)	T	RF
R -2J	413T1002-338SP		BIN ASSY-OUTBD OVERHEAD STOWAGE (RH)	V	RF

25-28-14

FIG. & ITEM	PART NO.	AIRLINE PART NUMBER	NOMENCLATURE 1234567	EFF CODE	QTY PER ASSY
R 01-3	412T3108-3		.FITTING ASSY	A,E,L ,Q	1
R -5	412T3108-4		.FITTING ASSY	B,F,M ,R	1
R -6	412T3108-6		.FITTING ASSY ATTACHING PARTS	S-V	1
R 8	NAS623-3-1		.SCREW	A,B,E ,F,L, M,Q-V	4
R 10	NAS620A10L		.WASHER	A,B,E ,F,L, M,Q-V	4
R 12	NAS6603-9		.BOLT	A,B,E ,F,L, M,Q-V	4
R 13	NAS6603-9		.BOLT	A,B,E ,F,L, M,Q-T	2
R -13A	NAS6603-10		.BOLT	U,V	2
R 15	AN960PD10L		.WASHER	A,B,E ,F,L, M,Q-T	6
R -15A	AN960JD10LL		.WASHER	U,V	6
R 16	AN960JD10LL		.WASHER	A,B,E ,F,L, M,Q-V	6
R 18	H10-3BAC		.NUT- (V15653) (SPEC BACN10JC3) (OPT NS202101-02 (V80539)) (OPT RMLH9075-3W (V72962)) (OPT T6S1032J (V71087)) (OPT VN303A02 (V92215)) (OPT 96-02 (V80539)) (OPT BRH10A3 (V52828))	A,B,E ,F,L, M,Q-T	3

25-28-14

FIG. & ITEM	PART NO.	AIRLINE PART NUMBER	NOMENCLATURE 1234567	EFF CODE	QTY PER ASSY
R 01-					
R -18A	MS21042L3		.NUT	U,V	3
R 19	MS21042L3		.NUT	A,B,E F,L	3
			-----*-----		
R 20	412T3108-17		..DOUBLER	M,Q-V A,B,E F,L M,Q,R	1
R 22	BACB28AR06A024A		DELETED		
R 22A	BACB28X6M024		..BUSHING- (V23294) (SPEC BACB28X6M024) (OPT BACB28X6M024 (V70265)) (OPT BACB28X6M024 (V94892))	A,B,E F,L M,Q,R	2
R 23	BACB28X4C009		..BUSHING- (V23294) (SPEC BACB28X4C009) (OPT BACB28X4C009 (V70265)) (OPT BACB28X4C009 (V94892))	S-V	1
R 24	BACB28X4C024		..BUSHING- (V23294) (SPEC BACB28X4C024) (OPT BACB28X4C024 (V70265)) (OPT BACB28X4C024 (V94892))	S-V	1

25-28-14

FIG. & ITEM	PART NO.	AIRLINE PART NUMBER	NOMENCLATURE 1234567	EFF CODE	QTY PER ASSY
R 01-25	412T3108-9		..FITTING	A,E,L ,Q	1
R -28	412T3108-10		..FITTING	B,F,M ,R	1
R -29	412T3108-12		..FITTING	S-V	1
R 30	412T2013-2		.ANGLE	A,B,E ,F,L, M,Q-V	1
R 32	NAS623-3-1		ATTACHING PARTS .SCREW	A,B,E ,F,L, M,Q-V	12
R 35	NAS620A10L		.WASHER -----*	A,B,E ,F,L, M,Q-V	12
R 38	412T3108-5		.FITTING ASSY	A,E,L ,Q, S-U	1
R -40	412T3108-6		.FITTING ASSY	B,F,M ,R,V	1
R 42	NAS623-3-1		ATTACHING PARTS .SCREW	A,B,E ,F,L, M,Q-V	4
R 45	NAS620A10L		.WASHER	A,B,E ,F,L, M,Q-V	4
R 48	NAS6603-9		.BOLT	A,B,E ,F,L, M,Q-V	4

25-28-14

 ILLUSTRATED PARTS LIST
 01.1 Page 1066
 Jan 01/91

 **BOEING**
COMPONENT
MAINTENANCE MANUAL

FIG. & ITEM	PART NO.	AIRLINE PART NUMBER	NOMENCLATURE 1234567	EFF CODE	QTY PER ASSY
R 01-49	NAS6603-9		.BOLT	A,B,E F,L M,Q-T	2
R -49A	NAS6603-10		.BOLT	U,V	2
R 50	AN960PD10L		.WASHER	A,B,E F,L M,Q-T	6
R -50A	AN960JD10LL		.WASHER	U,V	6
R 51	AN960JD10LL		.WASHER	A,B,E F,L M,Q-V	6
R 52	H10-3BAC		.NUT- (V15653) (SPEC BACN10JC3) (OPT NS202101-02 (V80539)) (OPT RMLH9075-3W (V72962)) (OPT T6S1032J (V71087)) (OPT VN303A02 (V92215)) (OPT 96-02 (V80539)) (OPT BRH10A3 (V52828))	A,B,E F,L M,Q-T	3
R -52A	MS21042L3		.NUT	U,V	3
R 53	MS21042L3		.NUT	A,B,E F,L	3
			-----*		
R 55	BACB28X4C009		..BUSHING- (V23294) (SPEC BACB28X4C009) (OPT BACB28X4C009 (V70265)) (OPT BACB28X4C009 (V94892))	M,Q-V A,B,E F,L M,Q-V	1
R 58	BACB28X4C024		..BUSHING- (V23294) (SPEC BACB28X4C024) (OPT BACB28X4C024 (V70265)) (OPT BACB28X4C024 (V94892))	A,B,E F,L M,Q-V	1

25-28-14

FIG. & ITEM	PART NO.	AIRLINE PART NUMBER	NOMENCLATURE 1234567	EFF CODE	QTY PER ASSY
R 01-60	412T3108-11		..FITTING	A,E,L ,Q, S-U	1
R -62	412T3108-12		..FITTING	B,F,M ,R,V	1
R 65	413T1007-66SP		.DOOR ASSY- (OPT ITEM 65A)	A,B,E ,F	1
R -65A	413T1007-86SP		.DOOR ASSY- (OPT ITEM 65)	A,B,E ,F	1
R -65B	413T1007-86SP		.DOOR ASSY	L,M, Q-T	1
R -65C	413T1007-126SP		.DOOR ASSY	U,V	1
R 67	412T1028-4		DELETED		
R 67A	413T1028-4		..STRIKE ASSY- (OPT ITEM 67B)	A,B,E ,F,L, M,Q-V	1
R -67B	413T1028-5		..STRIKE ASSY- (OPT ITEM 67A)	A,B,E ,F,L, M,Q-V	1
			ATTACHING PARTS		
68	NAS623-3-1W		..SCREW	A,B,E ,F,L, M,Q-V	2
R 70	AN960PD10L		DELETED		
R 70A	AN960KD10L		..WASHER	A,B,E ,F,L, M,Q-V	2
			-----*-----		
R 72	412T1028-2		DELETED		
R 72A	413T1028-2		...STRIKE	A,B,E ,F,L, M,Q-V	1
75	413T1093-3		...ROLLER- (USED ON ITEM 67A)	A,B,E ,F,L, M,Q-V	1

25-28-14

 ILLUSTRATED PARTS LIST
 01.1 Page 1068
 Jan 01/91

FIG. & ITEM	PART NO.	AIRLINE PART NUMBER	NOMENCLATURE 1234567	EFF CODE	QTY PER ASSY
R 01-75A	NAS1056C3-056		...ROLLER- (USED ON ITEM 67B)	A,B,E ,F,L, M,Q-V	1
R 76	MS51859-1		...BUSHING- (USED ON ITEM 67B)	A,B,E ,F,L, M,Q-V	2
R 78	MS20253-2-083		...PIN-HINGE	A,B,E ,F,L, M,Q-V	1
R 79	413T1132-1		..SHIM- (USED ON ITEM 65)	A,B,E ,F	1
	80	NAS514P1032-6	..SCREW	A,B,E ,F,L, M,Q-V	2
	82	413T1010-1	..BUMPER	A,B,E ,F,L, M,Q-V	2
	85	413T1118-3	..COVER	A,B,E ,F,L, M,Q-V	1
	87	413T1118-4	..COVER	A,B,E ,F,L, M,Q-V	1
R 92	413T1007-10SP		..COVER-DECORATIVE	A,B,E ,F,L, M,Q-V	1
	95	SL618-3A	..INSERT- (V97393)	A,B,E ,F,L, M,Q-V	2
	98	NAS1836-3-11	..INSERT	A,B,E ,F,L, M,Q-V	10

25-28-14

FIG. & ITEM	PART NO.	AIRLINE PART NUMBER	NOMENCLATURE 1234567	EFF CODE	QTY PER ASSY
R 01-110	413T1024-2		.LATCH ASSY	A,B,E ,F,L, M,Q-V	1
R 112	NAS514P1032-5		ATTACHING PARTS .SCREW -----*-----	A,B,E ,F,L, M,Q-V	2
115	MS16624-5012		..RING-RETAINING	A,B,E ,F,L, M,Q-V	4
118	413T1090-3		..PIN	A,B,E ,F,L, M,Q-V	1
120	413T1093-2		..ROLLER	A,B,E ,F,L, M,Q-V	1
122	413T1090-1		..PIN	A,B,E ,F,L, M,Q-V	1
125	413T1091-1		..ARM	A,B,E ,F,L, M,Q-V	1
R 128	H10-08BAC		..NUT- (V15653) (SPEC BACN10JC08) (OPT NS202101-82 (V80539)) (OPT RMLH9075-82W (V72962)) (OPT T6S832J (V71087)) (OPT VN303A82 (V92215)) (OPT 96-82 (V80539)) (OPT BRH10A08 (V52828)) (OPT T6S832J (V11815))	A,B,E ,F,L, M,Q-V	1

25-28-14

 ILLUSTRATED PARTS LIST
 01.1 Page 1070
 Jan 01/91

FIG. & ITEM	PART NO.	AIRLINE PART NUMBER	NOMENCLATURE 1234567	EFF CODE	QTY PER ASSY
01-130	AN960C8		..WASHER	A,B,E F,L M,Q-V	1
132	MS24585C93		..SPRING-CPRSN	A,B,E F,L M,Q-V	1
135	413T1092-2		..BOLT	A,B,E F,L M,Q-V	1
138	413T1030-3		..BODY- (OPT ITEM 138A)	A,B,E F,L M,Q-V	1
R -138A	413T1030-4		..BODY- (OPT ITEM 138)	A,B,E F,L M,Q-V	1
R 140	413T1014-1		.BRACKET	A,B,E F,L M,Q-T	1
R -140A	413T1014-14		.BRACKET ATTACHING PARTS	U,V	1
R 142	NAS623-3-1		.SCREW	A,B,E F,L M,Q-V	8
R 145	NAS620A10L		.WASHER	A,B,E F,L	8
			-----*		
R 148	413T1014-2		.BRACKET	M,Q-V A,B,E F,L M,Q-T	1

25-28-14

ILLUSTRATED PARTS LIST
01.1 Page 1071
Jan 01/91

FIG. & ITEM	PART NO.	AIRLINE PART NUMBER	NOMENCLATURE 1234567	EFF CODE	QTY PER ASSY
R 01-148A	413T1014-13		.BRACKET ATTACHING PARTS	U,V	1
R 150	NAS623-3-1		.SCREW	A,B,E F,L, M,Q-V	8
R 152	NAS620A10L		.WASHER -----*-----	A,B,E F,L, M,Q-V	8
R 153	413T1014-19		.BRACKET ASSY	U,V	1
R 153F	413T1014-20		.BRACKET ASSY ATTACHING PARTS	U,V	1
R 153M	NAS1801-3-6		.SCREW	U,V	4
R 153P	BACW10P183AL		.WASHER- (V10630) (SPEC BACW10P183AL)	U,V	4
R 153S	NAS603-4P		.SCREW	U,V	4
R 153V	NAS620A10L		.WASHER -----*-----	U,V	4
R 154	BACF3F006G006NN		..FILLER	U,V	1
R 154F	413T1014-21		..BRACKET- (USED ON ITEM 153)	U,V	1
R 154N	413T1014-22		..BRACKET- (USED ON ITEM 153F)	U,V	1
R 155	413T1014-3		.BRACKET ATTACHING PARTS	A,B,E F,L, M,Q-T	2
R 158	NAS603-4P		.SCREW	A,B,E F,L, M,Q-T	8
R 160	NAS620A10L		.WASHER -----*-----	A,B,E F,L, M,Q-T	8
R 162	413T1013-209		.PANEL ASSY-HINGE (OPT ITEMS 162A, 162B)	A,B	1

25-28-14

 ILLUSTRATED PARTS LIST
 01.1 Page 1072
 Jan 01/91

 **BOEING**
COMPONENT
MAINTENANCE MANUAL

FIG. & ITEM	PART NO.	AIRLINE PART NUMBER	NOMENCLATURE 1234567	EFF CODE	QTY PER ASSY
01-					
-162A	413T1013-45		.PANEL ASSY-HINGE (OPT ITEMS 162, 162B)	A,B	1
R -162B	413T1136-41		.PANEL ASSY-HINGE (OPT ITEMS 162, 162A)	A,B	1
162C	413T1136-69		DELETED		
-162D	413T1136-70		DELETED		
R -162E	413T1013-209		.PANEL ASSY-HINGE (OPT ITEM 162F)	E,F	1
R -162F	413T1136-41		.PANEL ASSY-HINGE (OPT ITEM 162E)	E,F	1
162G	413T1136-73		DELETED		
-162H	413T1136-74		DELETED		
R 162J	413T1136-77		.PANEL ASSY-HINGE	L	1
R -162K	413T1136-78		.PANEL ASSY-HINGE	M	1
R -162L	413T1136-41		.PANEL ASSY-HINGE	Q-T	1
R -162M	413T1136-101		.PANEL ASSY-HINGE	U,V	1
-163	413T1013-209		DELETED		
R 165	NAS623-3-7		ATTACHING PARTS .SCREW	A,B,E ,F,L, M,Q-V	5
R 168	AN960PD10L		.WASHER	A,B,E ,F,L, M,Q-T	5
R -168A	AN960JD10LL		.WASHER -----*	U,V	5
R 170	413T1013-181		..TRIM-EDGE (USED ON ITEMS 162, 162E)	A,B,E ,F	2
-170A	413T1013-84		..TRIM-EDGE (USED ON ITEM 162A)	A,B	2
R 172	413T1013-186		..TRIM-EDGE (USED ON ITEMS 162, 162E)	A,B,E ,F	1
-172A	413T1013-89		..TRIM-EDGE (USED ON ITEM 162A)	A,B	1
R -174	413T1136-61		..TRIM-EDGE (USED ON ITEM 162B)	A,B,E ,F,L, M,Q-V	AR
R -177	NAS1836-3-11		..INSERT- (USED ON ITEM 162A)	A,B	17
R 179	NAS1836-3-09		..INSERT-	L,M	3
R 180	NAS1836-3-11		..INSERT- (USED ON ITEMS 162, 162E)	A,B,E ,F	4

25-28-14

ILLUSTRATED PARTS LIST
01.1 Page 1073
Jan 01/91

FIG. & ITEM	PART NO.	AIRLINE PART NUMBER	NOMENCLATURE 1234567	EFF CODE	QTY PER ASSY
R 01-180A	NAS1836-3-09		..INSERT- (USED ON ITEM 162B)	A,B,E ,F,L, M,Q-T	4
R 180G	NAS1836-3-09		..INSERT- (USED ON ITEMS 162, 162B 162E, 162F, 162L)	A,B,E ,F,L, M,Q-T	13
R 180H	NAS1836-3-09		..INSERT-	U,V	13
R 180N	NAS1834A3-380		..INSERT	U,V	2
R 181	SL618-3A		..INSERT- (V97393)	A,B,E ,F,L, M,Q-V	12
	182	413T1013-100	..MEMBER-EDGE (USED ON ITEM 162A) ATTACHING PARTS	A,B	1
R 184	NAS1801-3-5		..SCREW- (USED ON ITEMS 162, 162B, 162E, 162F, 162L)	A,B,E ,F,L, M,Q-V	5
R 184A	NAS1801-3-5		DELETED		
R 185	BACW10P183AL		..WASHER- (V10630) (SPEC BACW10P183AL) (USED ON ITEMS 162, 162B, 162E, 162F, 162L) -----*	A,B,E ,F,L, M,Q-V	5
R 186	413T1014-5		..SUPPORT-HINGE PANEL (USED ON ITEMS 162, 162B, 162E, 162F, 162L)	A,B,E ,F,L, M,Q-V	5
R 188	A11330-8-3		..NUT- (V72962) (SPEC BACN10FX21) (OPT BRC500-8-3 (V52828)) (OPT F49322-3-21 (V15653)) (OPT SL240-3-1 (V97393)) (OPT 130061 (V60119)) (USED ON ITEMS 162, 162B, 162E, 162F, 162J, 162K, 162L)	A,B,E ,F,L, M,Q-T	5
R 190	413T1017-7		.HINGE ASSY (PRE SB 25-78) (OPT ITEMS 190G, 190J)	A,B	1
R -190A	413T1017-11		.HINGE ASSY (PRE SB 25-78) (OPT ITEMS, 191, 191G)	E,F	1

25-28-14

 **BOEING**
COMPONENT
MAINTENANCE MANUAL

FIG. & ITEM	PART NO.	AIRLINE PART NUMBER	NOMENCLATURE 1234567	EFF CODE	QTY PER ASSY
R 01-190G	413T1017-15		.HINGE ASSY (PRE SB 25-78) (OPT ITEMS 190, 190J)	A,B	1
R -190J	413T1017-23		.HINGE ASSY (PRE SB 25-78) (OPT ITEMS 190, 190G)	A,B	1
R -190K	413T1017-23		.HINGE ASSY (PRE SB 25-78)	L,M, Q-T	1
R -190L	413T1017-31		.HINGE ASSY (PRE SB 25-78)	U,V	1
R -191	413T1017-17		.HINGE ASSY (PRE SB 25-78) (OPT ITEMS 191A, 191G)	E,F	1
R -191G	413T1017-25		.HINGE ASSY (PRE SB 25-78) (OPT ITEMS 190A, 191)	E,F	1
-191H	9994		.HINGE ASSY (POST SB 25-78) (V80477)	A,B, E,F, L,M, Q-V	1
R 192	413T1017-8		.HINGE ASSY (PRE SB 25-78) (OPT ITEMS 192G, 192J)	A,B	1
R -192A	413T1017-12		.HINGE ASSY (PRE SB 25-78) (OPT ITEMS 193, 193G)	E,F	1
R -192G	413T1017-16		.HINGE ASSY (PRE SB 25-78) (OPT ITEMS 192, 192J)	A,B	1
R -192J	413T1017-24		.HINGE ASSY (PRE SB 25-78) (OPT ITEMS 192, 192G)	A,B	1
R -192K	413T1017-24		.HINGE ASSY (PRE SB 25-78)	L,M, Q-T	1
R -192L	413T1017-32		.HINGE ASSY (PRE SB 25-78)	U,V	1
R -193	413T1017-18		.HINGE ASSY (PRE SB 25-78) (OPT ITEMS 192A, 193G)	E,F	1
R -193G	413T1017-26		.HINGE ASSY (PRE SB 25-78) (OPT ITEMS 192A, 193)	E,F	1
-193H	9994		.HINGE ASSY (POST SB 25-78) (V80477)	A,B, E,F, L,M, Q-V	1
R 195	PSFW10F6DS05WH		ATTACHING PARTS .SCREW- (V12324) (OPT ITEM 195A)	A,B,E ,F	12
R -195A	BACS12FA3C5		.SCREW- (OPT ITEM 195)	A,B,E ,F	12
R -196	PSFW10F6DS05WH		.SCREW- (V12324)	L,M, Q-V	12
R 198	NAS1801-3-6		.SCREW	A,B,E ,F,L, M,Q-V	8

25-28-14

ILLUSTRATED PARTS LIST
01.1 Page 1075
Jan 01/91

FIG. & ITEM	PART NO.	AIRLINE PART NUMBER	NOMENCLATURE 1234567	EFF CODE	QTY PER ASSY
R 01-200 200A	NAS620A10L BACW10P183AL		DELETED .WASHER- (V10630) (SPEC BACW10P183AL) -----*-----	A,B,E ,F,L, M,Q-V	8
R 202	413T1017-9		..HINGE ASSY- (USED ON ITEM 190)	A,B	1
R -202A	413T1017-13		..HINGE ASSY- (USED ON ITEM 190A)	E,F	1
R -202G	413T1017-19		..HINGE ASSY- (USED ON ITEM 190G)	A,B	1
R -202J	413T1017-21		..HINGE ASSY- (USED ON ITEM 191)	E,F	1
R -202P	413T1017-27		..HINGE ASSY- (USED ON ITEMS 190J, 190K)	A,B,L ,M, Q-T	1
R -202S	413T1017-29		..HINGE ASSY- (USED ON ITEM 191G)	E,F	1
R -202T	413T1017-33		..HINGE ASSY	U,V	1
R -203	413T1017-10		..HINGE ASSY- (USED ON ITEM 192)	A,B	1
R -203A	413T1017-14		..HINGE ASSY- (USED ON ITEM 192A)	E,F	1
R -203G	413T1017-20		..HINGE ASSY- (USED ON ITEM 192G)	A,B	1
R -203J	413T1017-22		..HINGE ASSY- (USED ON ITEM 193)	E,F	1
R -203P	413T1017-28		..HINGE ASSY- (USED ON ITEMS 192J, 192K)	A,B,L ,M, Q-T	1
R -203S	413T1017-30		..HINGE ASSY- (USED ON ITEM 193G)	E,F	1
R -203T	413T1017-34		..HINGE ASSY	U,V	1

25-28-14

 ILLUSTRATED PARTS LIST
 01.1 Page 1076
 Jan 01/91

FIG. & ITEM	PART NO.	AIRLINE PART NUMBER	NOMENCLATURE 1234567	EFF CODE	QTY PER ASSY
01-205	413T1086-13		...HOUSING-CAM (OPT ITEM 205G) (USED ON ITEMS 202, 202A)	A,B,E ,F	1
-205A	413T1086-19		...HOUSING ASSY-CAM (OPT ITEM 205G) (USED ON ITEMS 202, 202A)	A,B,E ,F	1
-205B	413T1086-14		...HOUSING-CAM (OPT ITEM 205M) (USED ON ITEMS 203, 203A)	A,B,E ,F	1
-205C	413T1086-20		...HOUSING ASSY-CAM (OPT ITEM 205M) (USED ON ITEMS 203, 203A)	A,B,E ,F	1

25-28-14

ILLUSTRATED PARTS LIST
01.1 Page 1077
Jan 01/91

FIG. & ITEM	PART NO.	AIRLINE PART NUMBER	NOMENCLATURE 1234567	EFF CODE	QTY PER ASSY
R 01-205G	413T1086-31		...HOUSING-CAM (OPT ITEMS 205, 205A) (USED ON ITEMS 202, 202A)	A,B,E ,F	1
R -205H	413T1086-13		...HOUSING-CAM (OPT ITEM 205J) (USED ON ITEMS 202P, 202S)	A,B,E ,F,L, M,Q-T	1
R -205J	413T1086-31		...HOUSING-CAM (OPT ITEM 205H) (USED ON ITEMS 202P, 202S, 202T)	A,B,E ,F,L, M,Q-V	1
R -205M	413T1086-32		...HOUSING-CAM (OPT ITEMS 205B, 205C) (USED ON ITEMS 203, 203A)	A,B,E ,F	1
R -205P	413T1086-14		...HOUSING-CAM (OPT ITEM 205Q) (USED ON ITEMS 203P, 203S)	A,B,E ,F,L, M,Q-T	1
R -205Q	413T1086-32		...HOUSING-CAM (OPT ITEM 205P) (USED ON ITEMS 203P, 203S, 203T)	A,B,E ,F,L, M,Q-V	1
R -205S	413T1086-19		...HOUSING ASSY-CAM (USED ON ITEMS 202G, 202J)	A,B,E ,F	1
R -205T	413T1086-20		...HOUSING ASSY-CAM (USED ON ITEMS 203G, 203J)	A,B,E ,F	1

25-28-14

 ILLUSTRATED PARTS LIST
 01.1 Page 1078
 Jan 01/91

FIG. & ITEM	PART NO.	AIRLINE PART NUMBER	NOMENCLATURE 1234567	EFF CODE	QTY PER ASSY
R 01-206	BACB30LH3PU28		ATTACHING PARTS ...BOLT- (V06710) (SPEC BACB30LH3PU28) (OPT BACB30LH3PU28 (V06725)) (OPT BACB30LH3PU28 (V06950)) (OPT BACB30LH3PU28 (V08524)) (OPT BACB30LH3PU28 (V17943)) (OPT BACB30LH3PU28 (V27624)) (OPT BACB30LH3PU28 (V80539)) (OPT BACB30LH3PU28 (V92215)) (OPT BACB30LH3PU28 (V97928))	A,B,E F,L M,Q-T	1
R 207	BACB30LH3PU22		...BOLT- (V06710) (SPEC BACB30LH3PU22) (OPT BACB30LH3PU22 (V06725)) (OPT BACB30LH3PU22 (V06950)) (OPT BACB30LH3PU22 (V08524)) (OPT BACB30LH3PU22 (V17943)) (OPT BACB30LH3PU22 (V27624)) (OPT BACB30LH3PU22 (V80539)) (OPT BACB30LH3PU22 (V92215)) (OPT BACB30LH3PU22 (V97928)) -----*-----	A,B,E F,L M,Q-T	2

25-28-14

FIG. & ITEM	PART NO.	AIRLINE PART NUMBER	NOMENCLATURE 1234567	EFF CODE	QTY PER ASSY
R 01-209	413T1086-21	DOUBLER- (USED ON ITEMS 205A, 205C, 205S, 205T)	A,B,E ,F	1
R 210	413T1086-1	HOUSING- (USED ON ITEMS 205A, 205S)	A,B,E ,F	1
R -210A	413T1086-2	HOUSING- (USED ON ITEMS 205C, 205T)	A,B,E ,F	1
R 212	NAS43DD3-30		...SPACER	A,B,E ,F,L, M,Q-V	1
R 214	413T1086-7		...DOOR	A,B,E ,F,L, M,Q-V	1
			ATTACHING PARTS		
R 216	5S1-6		...STUD- (V71286)	A,B,E ,F,L, M,Q-V	1
R 218	5S3-2		...WASHER- (V71286)	A,B,E ,F,L, M,Q-V	1
			-----*-----		
	220	413T1083-3	...SCREW- (USED ON ITEMS 202, 202A, 203, 203A)	A,B,E ,F	1
R -221	413T1083-10		...SCREW- (USED ON ITEMS 202G, 202J, 202P, 202S, 203G, 203J, 203P, 203S)	A,B,E ,F,L, M,Q-V	1

25-28-14

 ILLUSTRATED PARTS LIST
 01.1 Page 1080
 Jan 01/91

FIG. & ITEM	PART NO.	AIRLINE PART NUMBER	NOMENCLATURE 1234567	EFF CODE	QTY PER ASSY
01- 222	413T1083-2		...SCREW- (USED ON ITEMS 202, 202A, 203, 203A)	A,B,E ,F,L, M	1
R -222J	413T1083-9		...SCREW- (USED ON ITEMS 202G, 202J, 202P, 202S, 203G, 203J, 203P, 203S)	A,B,E ,F,L, M,Q-V	1
R 223	NAS1515M3L		...WASHER	A,B,E ,F,L, M,Q-V	2
R 225	413T1085-4		...ROLLER	A,B,E ,F,L, M,Q-V	2
R 228	413T1085-3		...ROLLER	A,B,E ,F,L, M,Q-V	1
R 232	413T1023-1		...ACTUATOR ASSY-HINGE (USED ON ITEMS 202, 202A, 202G, 202J, 202P, 202S, 202T)	A,B,E ,F,L, M,Q-V	1
R -235	413T1023-2		...ACTUATOR ASSY-HINGE (USED ON ITEMS 203, 203A, 203G, 203J, 203P, 203S, 203T)	A,B,E ,F,L, M,Q-V	1
R 238	MS21209F4-10	INSERT	A,B,E ,F,L, M,Q-V	1
R 240	NAS77A3-24N	BUSHING	A,B,E ,F,L, M,Q-V	1
R 242	NAS77A3-68N	BUSHING	A,B,E ,F,L, M,Q-V	1
R 245	413T1023-3	ACTUATOR- (USED ON ITEM 232)	A,B,E ,F,L, M,Q-V	1
R -248	413T1023-4	ACTUATOR- (USED ON ITEM 235)	A,B,E ,F,L, M,Q-V	1
250	413T1022-7		...FOLLOWER ASSY-CAM (USED ON ITEMS 202, 202A)	A,B,E ,F	1

25-28-14

ILLUSTRATED PARTS LIST
01.1 Page 1080A
Jan 01/91

FIG. & ITEM	PART NO.	AIRLINE PART NUMBER	NOMENCLATURE 1234567	EFF CODE	QTY PER ASSY
R 01-251	413T1022-7		... FOLLOWER ASSY-CAM (OPT ITEM 251J) (USED ON ITEMS 202G, 202J)	A,B,E ,F,L, M	1
R -251A	413T1022-7		... FOLLOWER ASSY-CAM (OPT ITEMS 251K, 251M) (USED ON ITEMS 202P, 202S, 202T)	A,B,E ,F,L, M,Q-V	1
R -251J	413T1022-11		... FOLLOWER ASSY-CAM (OPT ITEM 251) (USED ON ITEMS 202G, 202J)	A,B,E ,F,L, M	1
R -251K	413T1022-11		... FOLLOWER ASSY-CAM (OPT ITEMS 251A, 251M) (USED ON ITEMS 202P, 202S, 202T)	A,B,E ,F,L, M,Q-V	1
R -251M	413T1022-19		... FOLLOWER ASSY-CAM (OPT ITEMS 251A, 251K) (USED ON ITEMS 202P, 202S, 202T)	A,B,E ,F,L, M,Q-V	1
-252	413T1022-8		... FOLLOWER ASSY-CAM (USED ON ITEMS 203, 203A)	A,B,E ,F	1
R -253	413T1022-8		... FOLLOWER ASSY-CAM (OPT ITEM 253J) (USED ON ITEMS 203G, 203J, 203P, 203S)	A,B,E ,F,L, M	1
R -253A	413T1022-8		... FOLLOWER ASSY-CAM (OPT ITEMS 253K, 253L) (USED ON ITEMS 203P, 203S, 203T)	A,B,E ,F,L, M,Q-V	1
R -253J	413T1022-12		... FOLLOWER ASSY-CAM (OPT ITEM 253) (USED ON ITEMS 203G, 203J)	A,B,E ,F,L, M	1
R -253K	413T1022-12		... FOLLOWER ASSY-CAM (OPT ITEMS 253A, 253L) (USED ON ITEMS 203P, 203S, 203T)	A,B,E ,F,L, M,Q-V	1
R -253L	413T1022-20		... FOLLOWER ASSY-CAM (OPT ITEMS 253A, 253K) (USED ON ITEMS 203P, 203S, 203T)	A,B,E ,F,L, M,Q-V	1

25-28-14

 ILLUSTRATED PARTS LIST
 01.1 Page 1080B
 Jan 01/91

FIG. & ITEM	PART NO.	AIRLINE PART NUMBER	NOMENCLATURE 1234567	EFF CODE	QTY PER ASSY
R 01-255	NAS76A3-009N	BUSHING	A,B,E ,F,L, M,Q-V	1
R 258	MS21209C0610	INSERT- (USED ON ITEMS 250, 251, 251A, 252, 253, 253A)	A,B,E ,F,L, M,Q-V	2
R 260	413T1022-9	FOLLOWER-CAM (USED ON ITEMS 250, 251, 251A)	A,B,E ,F,L, M,Q-T	1
R -261	413T1022-13	FOLLOWER- (USED ON ITEMS 251J, 251K)	A,B,E ,F,L, M,Q-T	1
R -262	413T1022-10	FOLLOWER-CAM (USED ON ITEMS 252, 253, 253A)	A,B,E ,F,L, M,Q-T	1
R -263	413T1022-14	FOLLOWER- (USED ON ITEMS 253J, 253K)	A,B,E ,F,L, M,Q-T	1
R -263A	413T1022-17	FOLLOWER- (USED ON ITEM 251M)	A,B,E ,F,L, M,Q-V	1
R -263B	413T1022-18	FOLLOWER- (USED ON ITEM 253L)	A,B,E ,F,L, M,Q-V	1
R 265	NAS601-3		...SCREW	A,B,E ,F,L, M,Q-V	2
R 268	MS35338-136		...WASHER	A,B,E ,F,L, M,Q-V	2

25-28-14

FIG. & ITEM	PART NO.	AIRLINE PART NUMBER	NOMENCLATURE 1234567	EFF CODE	QTY PER ASSY
R 01-270	413T1083-5		...NUT	A,B,E ,F,L, M,Q-V	2
R 272	413T1087-1		...BRACKET	A,B,E ,F,L, M,Q-V	1
	275	413T1020-1	...ARM ASSY-UPR (USED ON ITEMS 202, 202A, 203, 203A)	A,B,E ,F	1
R -276	413T1020-1		...ARM ASSY-UPR (OPT ITEM 276A) (USED ON ITEMS 202G, 202J, 202P, 202S, 203G, 203J, 203P, 203S)	A,B,E ,F,L, M,Q-T	1
R -276A	413T1020-4		...ARM ASSY-UPR (OPT ITEM 276) (USED ON ITEMS 202G, 202J, 202P, 202S, 203G, 203J, 203P, 203S)	A,B,E ,F,L, M,Q-T	1
R -276B	413T1020-4		...ARM ASSY-UPR	U,V	1
R 278	NAS77A3-15N	BUSHING- (USED ON ITEMS 275, 276)	A,B,E ,F,L, M,Q-V	2
R 280	MS21209C0615	INSERT	A,B,E ,F,L, M,Q-V	1
R 282	413T1020-2	ARM-UPR (USED ON ITEMS 275, 276)	A,B,E ,F,L, M,Q-T	1
R -282J	413T1020-5	ARM-UPR (USED ON ITEM 276A)	A,B,E ,F,L, M,Q-V	1

25-28-14

 ILLUSTRATED PARTS LIST
 01.1 Page 1080D
 Jan 01/91

 **BOEING**
COMPONENT
MAINTENANCE MANUAL

FIG. & ITEM	PART NO.	AIRLINE PART NUMBER	NOMENCLATURE 1234567	EFF CODE	QTY PER ASSY
01-283	413T1083-6		...SCREW- (USED ON ITEMS 202, 202A, 203, 203A)	A,B,E ,F	1
R -283J	413T1086-11		DELETED		
R -283K	413T1083-11		...SCREW- (USED ON ITEMS 202G, 202J, 202P, 202S, 203G, 203J, 203P, 203S)	A,B,E ,F,L, M,Q-V	1
R 284	NAS1515M3L		...WASHER	A,B,E ,F,L, M,Q-V	2
R 285	413T1084-1		...SHAFT	A,B,E ,F,L, M,Q-V	1
R 288	413T1021-1		...ARM ASSY-LWR	A,B,E ,F,L, M,Q-V	1
R 290	NAS77A3-15N	BUSHING	A,B,E ,F,L, M,Q-V	4
R 292	NAS76A3-007N	BUSHING	A,B,E ,F,L, M,Q-V	1
R 295	413T1021-2	ARM-LWR	A,B,E ,F,L, M,Q-V	1
R 298	413T1083-8		...SCREW	A,B,E ,F,L, M,Q-V	1
R 302	413T1086-9		...SUPPORT ASSY-SPR (USED ON ITEMS 202, 202A, 202G, 202J)	A,B,E ,F,L, M	1
R -302A	413T1086-9		...SUPPORT ASSY-SPR (OPT ITEM 302B) (USED ON ITEMS 202P, 202S)	A,B,E ,F,L, M,Q-T	1
R -302B	413T1086-35		...SUPPORT ASSY-SPR (OPT ITEM 302A) (USED ON ITEMS 202P, 202S)	A,B,E ,F,L, M,Q-T	1
R -302C	413T1086-35		...SUPPORT ASSY-SPR	U,V	1
R -305	413T1086-10		...SUPPORT ASSY-SPR (USED ON ITEMS 203, 203A, 203G, 203J)	A,B,E ,F,L, M	1

25-28-14

FIG. & ITEM	PART NO.	AIRLINE PART NUMBER	NOMENCLATURE 1234567	EFF CODE	QTY PER ASSY
R 01-305A	413T1086-10		...SUPPORT ASSY-SPR (OPT ITEM 305B) (USED ON ITEMS 203P, 203S)	A,B,E ,F,L, M,Q-T	1
R -305B	413T1086-36		...SUPPORT ASSY-SPR (OPT ITEM 305A) (USED ON ITEMS 203P, 203S)	A,B,E ,F,L, M,Q-T	1
R -305C	413T1086-36		...SUPPORT ASSY-SPR	U,V	1
R 310	UI19136-2B8	INSERT- (V07757) (OPT ITEM 310A)	A,B,E ,F,L, M,Q-V	1
R -310A	6035-04BR0219	INSERT- (V01556) (OPT ITEM 310)	A,B,E ,F,L, M,Q-V	1
R 315	413T1086-11	SUPPORT- (USED ON ITEMS 302, 302A)	A,B,E ,F,L, M,Q-T	1
R -315A	413T1086-37	SUPPORT- (USED ON ITEM 302B)	A,B,E ,F,L, M,Q-V	1
R -318	413T1086-12	SUPPORT- (USED ON ITEMS 305, 305A)	A,B,E ,F,L, M,Q-T	1
R -318A	413T1086-38	SUPPORT- (USED ON ITEM 305B)	A,B,E ,F,L, M,Q-V	1
	320	413T1086-15	...HOUSING ASSY-SPR (OPT ITEM 320A) (USED ON ITEMS 202, 202G, 202P)	A,B,L ,M, Q-T	1
	-320A	413T1086-3	...HOUSING ASSY-SPR (OPT ITEM 320) (USED ON ITEMS 202, 202G, 202P)	A,B,L ,M, Q-T	1
R -320B	413T1086-15		...HOUSING ASSY-SPR	U,V	1
	-322	413T1086-16	...HOUSING ASSY-SPR (OPT ITEM 322A) (USED ON ITEMS 203, 203G, 203P)	A,B,L ,M, Q-T	1
	-322A	413T1086-4	...HOUSING ASSY-SPR (OPT ITEM 322) (USED ON ITEMS 203, 203G, 203P)	A,B,L ,M, Q-T	1
R -322B	413T1086-16		...HOUSING ASSY-SPR	U,V	1

25-28-14

FIG. & ITEM	PART NO.	AIRLINE PART NUMBER	NOMENCLATURE 1234567	EFF CODE	QTY PER ASSY
R 01-325	413T1086-23		...HOUSING ASSY-SPR (OPT ITEM 325A) (USED ON ITEMS 202A, 202J, 202S)	E,F	1
R -325A	413T1086-27		...HOUSING ASSY-SPR (OPT ITEM 325) (USED ON ITEMS 202A, 202J, 202S)	E,F	1
R -326	413T1086-24		...HOUSING ASSY-SPR (OPT ITEM 326A) (USED ON ITEMS 203A, 203J, 203S)	E,F	1
R -326A	413T1086-28		...HOUSING ASSY-SPR (OPT ITEM 326) (USED ON ITEMS 203A, 203J, 203S)	E,F	1
R 328	UI19136-2B8	INSERT- (V07757) (OPT ITEM 328A)	A,B,E ,F,L, M,Q-V	1
R -328A	6035-04BR0219	INSERT- (V01556) (OPT ITEM 328)	A,B,E ,F,L, M,Q-V	1
R 332	UI19136-6B8	INSERT- (V07757) (OPT ITEM 332A)	A,B,E ,F,L, M,Q-V	3
R -332A	6041-3BR0375	INSERT- (V01556) (OPT ITEM 332)	A,B,E ,F,L, M,Q-V	3
R -336	413T1086-25	HOUSING- (USED ON ITEM 325)	E,F	1
R -336A	413T1086-29	HOUSING- (USED ON ITEM 325A)	E,F	1
R -337	413T1086-26	HOUSING- (USED ON ITEM 326)	E,F	1
R -337A	413T1086-30	HOUSING- (USED ON ITEM 326A)	E,F	1
R 338	413T1086-16		DELETED		
R 338A	413T1086-5	HOUSING- (USED ON ITEM 320A)	A,B,L ,M, Q-T	1

25-28-14

FIG. & ITEM	PART NO.	AIRLINE PART NUMBER	NOMENCLATURE 1234567	EFF CODE	QTY PER ASSY
R 01-338B	413T1086-18	HOUSING- (USED ON ITEM 322)	A,B,L ,M, Q-V	1
R -340	413T1086-17	HOUSING- (USED ON ITEM 320)	A,B,L ,M, Q-V	1
R -340A	413T1086-6	HOUSING- (USED ON ITEM 322A)	A,B,L ,M, Q-T	1
R 341	413T1137-1		...SPRING ASSY	U,V	1
R 341E	413T1139-1	RETAINER	U,V	1
R 341N	MS24585C196	SPRING	U,V	1
R 341V	413T1139-2	PAD-END	U,V	1
R 342	413T1017-3		...RECEPTACLE ASSY	A,B,E ,F,L, M,Q-V	1
			ATTACHING PARTS		
R 343	NAS1352C04LB4		...SCREW -----*-----	A,B,E ,F,L, M,Q-V	2
R 344	5R3-1	RECEPTACLE- (V71286)	A,B,E ,F,L, M,Q-V	1
R 345	F1313		..SPRING ASSY-GAS (V55787) (SPEC S413T301-2)	A,B,E ,F,L, M,Q-T	1
	345A	F1313A	DELETED		
R 345E	413T1140-1		..SPRING ASSY-GAS	U,V	1
R 345J	NAS601-6P		...SCREW	U,V	1
R 345M	AN960PD6		...WASHER	U,V	1
R 345Q	413T1138-1		...LIMITER-TRAVEL	U,V	1
R 345V	F1313		...SPRING ASSY- (V55787) (SPEC S413T301-2)	U,V	1

25-28-14

 ILLUSTRATED PARTS LIST
 01.1 Page 1080H
 Jan 01/91

FIG. & ITEM	PART NO.	AIRLINE PART NUMBER	NOMENCLATURE 1234567	EFF CODE	QTY PER ASSY
R 01-346	412T2014-1		.FITTING ASSY	A,B,E ,F,L, M,Q-V	1
R 346N	412T2014-1		.FITTING ASSY	A,B,E ,F,L, M,Q-T	1
R 347	NAS623-3-2		ATTACHING PARTS .SCREW	A,B,E ,F,L, M,Q-V	2
R 347N	NAS623-3-2		.SCREW	A,B,E ,F,L, M,Q-T	2
R 349	NAS620A10L		.WASHER	A,B,E ,F,L, M,Q-V	2
R 349N	NAS620A10L		.WASHER -----*-----	A,B,E ,F,L, M,Q-T	2
	351	BACB28AR04A050A	DELETED		
	351A	BCREFA0486	DELETED		
	-351N	BACB28AR04A050A	DELETED		
	-351P	BCREFA0486	DELETED		
R 351Q	BACB28X4M050		..BUSHING- (V23294) (SPEC BACB28X4M050) (OPT BACB28X4M050 (V70265)) (OPT BACB28X4M050 (V94892))	A,B,E ,F,L, M,Q-V	1
R -351R	BACB28X4M050		..BUSHING- (V23294) (SPEC BACB28X4M050) (OPT BACB28X4M050 (V70265)) (OPT BACB28X4M050 (V94892))	A,B,E ,F,L, M,Q-T	1

25-28-14

FIG. & ITEM	PART NO.	AIRLINE PART NUMBER	NOMENCLATURE 1234567	EFF CODE	QTY PER ASSY
R 01-353	412T2014-2		..FITTING	A,B,E F,L M,Q-V	1
R -353N	412T2014-2		..FITTING	A,B,E F,L M,Q-T	1
R 354	412T1004-7SP		.RAIL ASSY	A,B,E F,L M,Q,R	1
R 355	412T1004-113SP		.RAIL ASSY	S	1
R 355A	412T1004-141SP		.RAIL ASSY	U	1
-356	412T1004-8SP		DELETED		
R -357	412T1004-114SP		.RAIL ASSY	T	1
R -357A	412T1004-142SP		.RAIL ASSY	V	1
R 358	NAS6603-2		ATTACHING PARTS .BOLT	A,B,E F,L M,Q,R	8
R 358N	NAS6603-2		.BOLT	S,T	10
R 359	NAS6603-2		.BOLT	U,V	16
R 360	AN960PD10L		.WASHER	A,B,E F,L M,Q,R	8
R 360N	AN960PD10L		.WASHER	S,T	10
R 361	AN960JD10LL		.WASHER	U,V	16
R 362	412T1004-15		-----*----- ..RAIL	A,B,E F,L M,Q,R	1
R 363	2055051		..RETAINER- (V04169)	S,T	1
R 363N	BACR15BA5KE		..RIVET- (SIZE DETERMINE ON INST)	S,T	2
R 364	412T1008-4		..ANGLE	S,T	1

25-28-14

 ILLUSTRATED PARTS LIST
 01.1 Page 1080J
 Jan 01/91

FIG. & ITEM	PART NO.	AIRLINE PART NUMBER	NOMENCLATURE 1234567	EFF CODE	QTY PER ASSY
01-					
R -365	412T1004-16		DELETED		
R 365A	412T1004-19		..SURFACE-DECORATIVE	S,T	1
R 365J	412T1004-115		..RAIL	S	1
R -365S	412T1004-116		..RAIL	T	1
R 366	413T1004-20		..SURFACE-DECORATIVE	A,B,E F,L M,Q,R	1
R 366J	413T1004-61		..SURFACE-DECORATIVE	U,V	1
R 366R	413T1004-143		DELETED		
R 366S	412T1004-143		..RAIL	U,V	1
R -366V	413T1004-144		DELETED		
R -366W	412T1004-144		..RAIL	U,V	1
R 367	2055051		.RETAINER- (V04169)	A,B,E F,L M,Q-T	4
R 367J	2055051		.RETAINER- (V04169)	U,V	12
R 368	413T1081-5		.CHANNEL ASSY	A,B,E F,L M,Q-T	1
R 369	413T1081-43		.CHANNEL ASSY	U	1
R -369N	413T1081-44		.CHANNEL ASSY	V	1
R 370	NAS623-3-1		ATTACHING PARTS .SCREW	A,B,E F,L M,Q-T	16
R 370N	NAS623-3-1		.SCREW	U,V	28
R 371	NAS623-3-3		.SCREW	A,B,E F,L M,Q-T	2
R 371N	NAS623-3-2		.SCREW	U,V	1
R 371P	NAS623-3-3		.SCREW	U,V	1
R 372	NAS620A10L		.WASHER	A,B,E F,L M,Q-T	18
R 372N	NAS620A10L		.WASHER	U,V	30
R 374	AF5171-3-2		-----*----- ..RIVET- (V53551) (SPEC BACR15DR3-2) (OPT CCR264SS3-2 (V11815)) (OPT RV571A3-2 (V98996))	A,B,E F,L M,Q-T	24

25-28-14

FIG. & ITEM	PART NO.	AIRLINE PART NUMBER	NOMENCLATURE 1234567	EFF CODE	QTY PER ASSY
R 01-374N	AF5171-3-2		..RIVET- (V53551) (SPEC BACR15DR3-2) (OPT CCR264SS3-2 (V11815)) (OPT RV571A3-2 (V98996))	U,V	36
R 375	NS103225-02		..NUTPLATE- (V80539) (SPEC BACN10KH3) (OPT RMF9209M3 (V72962)) (OPT RMF9209M3 (V72962))	A,B,E ,F,L, M,Q-T	2
R 376	BRF100A3		..NUTPLATE- (V52828) (SPEC BACN10KB3F) (OPT F2000-3 (V15653)) (OPT RMF9207-3 (V72962)) (OPT T8114S1032S (V11815)) (OPT VN151A1-02 (V92215)) (OPT F2000-3 (V15653))	U,V	4
R 378	BRF100A3		..NUTPLATE- (V52828) (SPEC BACN10KB3F) (OPT F2000-3 (V15653)) (OPT T8114S1032S (V11815)) (OPT VN151A1-02 (V92215)) (OPT F2000-3 (V15653)) (OPT VN151A1-02 (V92215))	A,B,E ,F,L, M,Q-T	2

25-28-14

 ILLUSTRATED PARTS LIST
 01.1 Page 1080L
 Jan 01/91

FIG. & ITEM	PART NO.	AIRLINE PART NUMBER	NOMENCLATURE 1234567	EFF CODE	QTY PER ASSY
R 01-380	F5000-3BAC		..NUTPLATE- (V15653) (SPEC BACN10JR3F) (OPT NS103203-02 (V80539)) (OPT RMF9201-3 (V72962)) (OPT T8091S1032 (V11815)) (OPT VN152A1-02 (V92215)) (OPT BRF200A3 (V52828))	A,B,E ,F,L, M,Q-T	8
R 381	F5000-3BAC		..NUTPLATE- (V15653) (SPEC BACN10JR3F) (OPT NS103203-02 (V80539)) (OPT RMF9201-3 (V72962)) (OPT T8091S1032 (V11815)) (OPT VN152A1-02 (V92215)) (OPT BRF200A3 (V52828))	U,V	14
R 382	BACR15BA3AD		DELETED		
R 383	413T1081-43		..CHANNEL ASSY	U	1
R -384	413T1081-44		..CHANNEL ASSY	V	1
R 385	413T1081-11		..CHANNEL	A,B,E ,F,L, M,Q-T	1

25-28-14

FIG. & ITEM	PART NO.	AIRLINE PART NUMBER	NOMENCLATURE 1234567	EFF CODE	QTY PER ASSY
R 01-386	412T1000-53SP		.RAIL AND BRACKET ASSY-PASS. SVCE UNIT/SIDEWALL SPRT	Q	1
R -386A	412T1000-54SP		.RAIL AND BRACKET ASSY-PASS. SVCE UNIT/SIDEWALL SPRT	R	1
R 387	412T1000-47SP		.RAIL AND BRACKET ASSY-PASS. SVCE UNIT/SIDEWALL SPRT	S	1
R -387A	412T1000-48SP		.RAIL AND BRACKET ASSY-PASS. SVCE UNIT/SIDEWALL SPRT	T	1
R 388	412T1000-7SP		.RAIL AND BRACKET ASSY-PASS. SVCE UNIT/SIDEWALL SPRT	A,E,L	1
R -388A	412T1000-73SP		.RAIL AND BRACKET ASSY-PASS. SVCE UNIT/SIDEWALL SPRT	U	1
R -389	412T1000-8SP		.RAIL AND BRACKET ASSY-PASS. SVCE UNIT/SIDEWALL SPRT	B,F,M	1
R -389A	412T1000-74SP		.RAIL AND BRACKET ASSY-PASS. SVCE UNIT/SIDEWALL SPRT	V	1
R 390	NAS1801-3-5		.SCREW	A,B,E ,F,L, M,Q-T	8
R -390A	NAS1801-3-6		.SCREW	U,V	8
R 390T	NAS1801-3-6		.SCREW	U,V	2

25-28-14

 ILLUSTRATED PARTS LIST
 01.1 Page 1080N
 Jan 01/91

BOEING
COMPONENT
MAINTENANCE MANUAL

FIG. & ITEM	PART NO.	AIRLINE PART NUMBER	NOMENCLATURE 1234567	EFF CODE	QTY PER ASSY
R 01-391	NAS620A10L		.WASHER	A,B,E ,F,L, M,Q-V	8
R 391N	NAS620A10L		.WASHER -----*	U,V	2
R 392	412T1001-5		..CHANNEL ASSY	A,E,L ,Q,S, U	1
R -395	412T1001-6		..CHANNEL ASSY	B,F,M ,R,T, V	1
R 398	NAS6603-3		ATTACHING PARTS ..BOLT	A,B,E ,F,L, M,Q-V	2
R 400	AN960PD10		..WASHER	A,B,E ,F,L, M,Q-V	2
R 402	BACR15FT5D		DELETED		
R 403	NAS623-2-2		..SCREW	A,B,E ,F,L, M,Q-V	2
R 404	AN960PD8L		..WASHER	A,B,E ,F,L, M,Q-V	2
R 404J	H10-08BAC		..NUT- (V15653) (SPEC BACN10JC08) (OPT NS202101-82 (V80539)) (OPT RMLH9075-82W (V72962)) (OPT T6S832J (V71087)) (OPT VN303A82 (V92215)) (OPT 96-82 (V80539)) (OPT BRH10A08 (V52828)) (OPT T6S832J (V11815)) -----*	A,B,E ,F,L, M,Q-V	2

25-28-14

FIG. & ITEM	PART NO.	AIRLINE PART NUMBER	NOMENCLATURE 1234567	EFF CODE	QTY PER ASSY
R 01-405	BRM100A3		...NUTPLATE- (V52828) (SPEC BACN10JP3B) (OPT MK2000-3BAC (V15653)) (OPT NS103198-02 (V80539)) (OPT RMA9207-3 (V72962)) (OPT T8077S1032 (V11815)) (OPT VN201A1-02 (V92215)) ATTACHING PARTS	A,B,E F,L M,Q-V	2
R 408	BACR15BA3AD		...RIVET- (SIZE DETERMINE ON INST) -----*-----	A,B,E F,L M,Q-V	4
R 410	412T1001-11		...CHANNEL	A,E,L Q,S U	1
R -412	412T1001-12		...CHANNEL	B,F,M R,T V	1
R 415	412T1003-2		..BRACKET ASSY	A,E,L Q,S U	4
R 416	412T1003-2		..BRACKET ASSY	U	1
R -418	412T1003-1		..BRACKET ASSY	B,F,M R,T V	4
R -419	412T1003-1		..BRACKET ASSY ATTACHING PARTS	V	1
R 420	NAS6603-3		..BOLT	A,B,E F,L M,Q-V	8
R 421	NAS6603-3		..BOLT	U,V	2
R 422	AN960PD10		..WASHER	A,B,E F,L M,Q-V	8

25-28-14

 ILLUSTRATED PARTS LIST
 01.1 Page 1080P
 Jan 01/91

FIG. & ITEM	PART NO.	AIRLINE PART NUMBER	NOMENCLATURE 1234567	EFF CODE	QTY PER ASSY
R 01-423	AN960PD10		..WASHER -----*-----	U,V	2
R 424	BACR15BA3AD		...RIVET- (SIZE DETERMINE ON INST)	U,V	4
R 425	BRM300A3		...NUTPLATE- (V52828) (SPEC BACN10JP3C) (OPT MK3000-3BAC (V15653)) (OPT NS103199-02 (V80539)) (OPT T8078S1032 (V71087)) (OPT T8078S1032 (V11815)) (OPT VN203A1-02 (V92215))	A,B,E ,F,L, M,Q-V	2
R 426	BRM300A3		...NUTPLATE- (V52828) (SPEC BACN10JP3C) (OPT MK3000-3BAC (V15653)) (OPT NS103199-02 (V80539)) (OPT RMA9205M3 (V72962)) (OPT T8078S1032 (V11815)) (OPT VN203A1-02 (V92215)) ATTACHING PARTS	U,V	2
R 428	BACR15BA3AD		...RIVET- (SIZE DETERMINE ON INST) -----*-----	A,B,E ,F,L, M,Q-T	4
R 429	412T1003-4		...BRACKET	A,E,L ,Q,S, U	1
R -429A	412T1003-3		...BRACKET	B,F,M ,R,T, V	1
R 429N	412T1003-4		...BRACKET	U	1
R -429T	412T1003-3		...BRACKET	V	1

25-28-14

FIG. & ITEM	PART NO.	AIRLINE PART NUMBER	NOMENCLATURE 1234567	EFF CODE	QTY PER ASSY
R 01-430	2055144		..RETAINER- (V04169)	A,B,E ,F,L, M,Q-T	7
R 430N	2055144		..RETAINER- (V04169)	U,V	10
R 431	2055144		..RETAINER- (V04169)	S,T	1
R 432	412T1002-7SP		..RAIL ASSY	A,E,L	1
R 433	412T1002-131SP		..RAIL ASSY	S	1
R 434	412T1002-143SP		..RAIL ASSY	Q	1
R -434A	412T1002-187SP		..RAIL ASSY	U	1
R -435	412T1002-8SP		..RAIL ASSY	B,F,M	1
R -436	412T1002-132SP		..RAIL ASSY	T	1
R -437	412T1002-144SP		..RAIL ASSY	R	1
R -437A	412T1002-188SP		..RAIL ASSY	V	1
R 438	WS1-332A8		...NUTPLATE- (V04169) (SPEC BACN10GH3A8) ATTACHING PARTS	A,B,E ,F,L, M,Q-V	4
R 439	BACR15FT4AD		DELETED		
R 439A	BACR15BB4AD		...RIVET- (SIZE DETERMINE ON INST)	A,B,E ,F,L, M,Q-V	8
			-----*-----		
R 440	NAS1801-3-12		...SCREW	A,B,E ,F,L, M,Q-V	3
R 440N	NAS1801-3-12		...SCREW	A,B,E ,F,L, M,Q-T	1

25-28-14

 ILLUSTRATED PARTS LIST
 01.1 Page 1080R
 Jan 01/91

FIG. & ITEM	PART NO.	AIRLINE PART NUMBER	NOMENCLATURE 1234567	EFF CODE	QTY PER ASSY
R 01-441	MS35338-43		...WASHER	A,B,E F,L M,Q-V	3
R 441N	MS35338-43		...WASHER	A,B,E F,L M,Q-T	1
R 442	AN960D10L		...WASHER	A,B,E F,L M,Q-V	6
R 442N	AN960D10L		...WASHER	A,B,E F,L M,Q-T	2
R 443	MS35650-305S		...NUT	A,B,E F,L M,Q-V	3
R 443N	MS35650-305S		...NUT	A,B,E F,L M,Q-T	1
R 444	412T1002-133		...RAIL	S	1
R 444J	412T1002-145		...RAIL	Q	1
R 444N	412T1002-189		...RAIL	U	1
R 445	412T1002-15		...RAIL	A,E,L	1
R -446	412T1002-134		...RAIL	T	1
R -446J	412T1002-146		...RAIL	R	1
R -446N	412T1002-190		...RAIL	V	1
R -447	412T1002-16		...RAIL	B,F,M	1
R 447A	412T1002-17		DELETED		
R 447B	412T1002-20		...SURFACE-DECORATIVE	A,B,E F,L M,Q,R	1

25-28-14

FIG. & ITEM	PART NO.	AIRLINE PART NUMBER	NOMENCLATURE 1234567	EFF CODE	QTY PER ASSY
01-					
R 447C	412T1002-63		...SURFACE-DECORATIVE	S-V	1
R 448	412T3109-3		.FITTING ASSY	A,E,L ,Q	1
R -448J	412T3109-5		.FITTING ASSY	T	1
R -449	412T3109-4		.FITTING ASSY	B,F,M ,R	1
R -449J	412T3109-6		.FITTING ASSY ATTACHING PARTS	S	1
R 450	NAS623-3-1		.SCREW	A,B,E ,F,L, M,Q-T	11
R 451	NAS620A10L		.WASHER	A,B,E ,F,L,	11
			-----*-----		
R 452	BACB28AR06A024A		..BUSHING- (V09455) (SPEC BACB28AR06A024A) (OPT BACB28AR06A024A (V15860)) (OPT BACB28AR06A024A (V50294)) (OPT BACB28AR06A024A (V73134)) (OPT BACB28AR06A024A (V77896)) (OPT BACB28AR06A024A (V97613))	M,Q-T A,B,E ,F,L, M,Q,R	1
R 453	BACB28X4C005		..BUSHING- (V23294) (SPEC BACB28X4C005) (OPT BACB28X4C005 (V70265)) (OPT BACB28X4C005 (V94892))	S,T	1
R 455	412T3109-21		..DOUBLER	A,B,E ,F,L, M,Q,R	1
R 458	412T3109-13		..FITTING	A,E,L ,Q	1

25-28-14

 ILLUSTRATED PARTS LIST
 01.1 Page 1080T
 Jan 01/91

 **BOEING**
COMPONENT
MAINTENANCE MANUAL

FIG. & ITEM	PART NO.	AIRLINE PART NUMBER	NOMENCLATURE 1234567	EFF CODE	QTY PER ASSY
01-					
R -459	412T3109-15		..FITTING	T	1
R -460	412T3109-14		..FITTING	B,F,M R	1
R -461	412T3109-16		..FITTING	S	1
R 462	412T3109-5		.FITTING ASSY	A,E,L	1
R 463	412T3109-9		.FITTING ASSY	Q,S	1
R -464	412T3109-6		.FITTING ASSY	B,F,M	1
R -465	412T3109-10		.FITTING ASSY	R,T	1
R 466	NAS623-3-1		ATTACHING PARTS .SCREW	A,B,E F,L M	11
R 467	NAS620A10L		.WASHER -----*-----	A,B,E F,L M	11
	468	BACB28X4C005	DELETED		
R 469	NAS623-3-1		ATTACHING PARTS .SCREW	Q-T	5
R 469J	NAS620A10L		.WASHER	Q-T	5
R 469L	BACB30LU3-9		.BOLT- (V06710) (SPEC BACB30LU3-9) (OPT BACB30LU3-9 (V06725)) (OPT BACB30LU3-9 (V06950)) (OPT BACB30LU3-9 (V17943)) (OPT BACB30LU3-9 (V27624)) (OPT BACB30LU3-9 (V56878)) (OPT BACB30LU3-9 (V80539)) (OPT BACB30LU3-9 (V85495)) (OPT BACB30LU3-9 (V92215)) (OPT BACB30LU3-9 (V97928))	Q-T	3
469M	AN960PD10L		DELETED		

25-28-14

FIG. & ITEM	PART NO.	AIRLINE PART NUMBER	NOMENCLATURE 1234567	EFF CODE	QTY PER ASSY
R 01-469N	H10-3BAC		.NUT- (V15653) (SPEC BACN10JC3) (OPT NS202101-02 (V80539)) (OPT RMLH9075-3W (V72962)) (OPT T6S1032J (V71087)) (OPT VN303A02 (V92215)) (OPT 96-02 (V80539)) (OPT BRH10A3 (V52828))	Q-T	3
R 469P	AN960JD10L		.WASHER -----*	Q-T	3
R 469R	BACB28X4C005		..BUSHING- (V23294) (SPEC BACB28X4C005) (OPT BACB28X4C005 (V70265)) (OPT BACB28X4C005 (V94892))	A,B,E F,L, M	1
R 470	412T3109-15		..FITTING	A,E,L	1
R 471	412T3109-19		..FITTING	Q,S	1
R -471A	412T3109-20		..FITTING	R,T	1
R -472	412T3109-16		..FITTING	B,F,M	1

25-28-14

 ILLUSTRATED PARTS LIST
 01.1 Page 1080V
 Jan 01/91

FIG. & ITEM	PART NO.	AIRLINE PART NUMBER	NOMENCLATURE 1234567	EFF CODE	QTY PER ASSY
R 01-473	BACB30LU3-10		.BOLT- (V06710) (SPEC BACB30LU3-10) (OPT BACB30LU3-10 (V06725)) (OPT BACB30LU3-10 (V06950)) (OPT BACB30LU3-10 (V17943)) (OPT BACB30LU3-10 (V27624)) (OPT BACB30LU3-10 (V56878)) (OPT BACB30LU3-10 (V80539)) (OPT BACB30LU3-10 (V85495)) (OPT BACB30LU3-10 (V92215)) (OPT BACB30LU3-10 (V97928))	Q-V	3
R 473A	BACB30LU3-10		.BOLT- (V06710) (SPEC BACB30LU3-10) (OPT BACB30LU3-10 (V06725)) (OPT BACB30LU3-10 (V06950)) (OPT BACB30LU3-10 (V17943)) (OPT BACB30LU3-10 (V27624)) (OPT BACB30LU3-10 (V56878)) (OPT BACB30LU3-10 (V80539)) (OPT BACB30LU3-10 (V85495)) (OPT BACB30LU3-10 (V92215)) (OPT BACB30LU3-10 (V97928))	Q-T	1

25-28-14

FIG. & ITEM	PART NO.	AIRLINE PART NUMBER	NOMENCLATURE 1234567	EFF CODE	QTY PER ASSY
R 01- -473B	BACB30LU3-11		.BOLT- (V06710) (SPEC BACB30LU3-11) (OPT BACB30LU3-11 (V06725)) (OPT BACB30LU3-11 (V06950)) (OPT BACB30LU3-11 (V17943)) (OPT BACB30LU3-11 (V27624)) (OPT BACB30LU3-11 (V56878)) (OPT BACB30LU3-11 (V80539)) (OPT BACB30LU3-11 (V85495)) (OPT BACB30LU3-11 (V92215)) (OPT BACB30LU3-11 (V97928))	U,V	1
R 473C	AN960PD10L		.WASHER	Q-T	3
R -473D	AN960JD10LL		.WASHER	U,V	3
R 473F	AN960PD10		.WASHER	Q-T	1
R -473G	AN960JD10L		.WASHER	U,V	1
R 473J	H10-3BAC		.NUT- (V15653) (SPEC BACN10JC3) (OPT NS202101-02 (V80539)) (OPT RMLH9075-3W (V72962)) (OPT T6S1032J (V71087)) (OPT VN303A02 (V92215)) (OPT 96-02 (V80539)) (OPT BRH10A3 (V52828))	Q-T	4
R -473K	MS21042L3		.NUT	U,V	4
R 473M	NAS514P1032-4		.SCREW	Q-V	2
R 473N	NAS514P1032-4		.SCREW	Q-T	1
R -473P	NAS514P1032-5		.SCREW	U,V	1
R 473Q	NAS514P1032-5		.SCREW	Q-T	1

25-28-14

FIG. & ITEM	PART NO.	AIRLINE PART NUMBER	NOMENCLATURE 1234567	EFF CODE	QTY PER ASSY
01-					
R -473R	NAS514P1032-6		. SCREW	U,V	1
R 474	412T2045-1		. FITTING	Q,S,U	1
R -474C	412T2045-2		. FITTING	R,T,V	1
R 474F	412T2046-1		. DOUBLER	Q,S,U	1
R -474J	412T2046-2		. DOUBLER	R,T,V	1
R 475	412T2013-3		. FITTING	A,B,E ,F,L, M	1
R 478	BACB30LU3-9		ATTACHING PARTS . BOLT- (V06710) (SPEC BACB30LU3-9) (OPT BACB30LU3-9 (V06725)) (OPT BACB30LU3-9 (V06950)) (OPT BACB30LU3-9 (V17943)) (OPT BACB30LU3-9 (V27624)) (OPT BACB30LU3-9 (V56878)) (OPT BACB30LU3-9 (V80539)) (OPT BACB30LU3-9 (V85495)) (OPT BACB30LU3-9 (V92215)) (OPT BACB30LU3-9 (V97928))	A,B,E ,F,L, M	9

25-28-14

FIG. & ITEM	PART NO.	AIRLINE PART NUMBER	NOMENCLATURE 1234567	EFF CODE	QTY PER ASSY
R 01-480	AN960PD10L		.WASHER	A,B,E ,F,L, M	9
R 482	H10-3BAC		.NUT- (V15653) (SPEC BACN10JC3) (OPT NS202101-02 (V80539)) (OPT RMLH9075-3W (V72962)) (OPT T6S1032J (V71087)) (OPT VN303A02 (V92215)) (OPT 96-02 (V80539)) (OPT BRH10A3 (V52828))	A,B,E ,F,L, M	9
R 484 484A	BACB30LL4-8 HL441UC8-8		DELETED .BOLT- (V56878) (SPEC BACB30FN8A8) (OPT HL441UC8-8 (V73197)) (OPT HL441UC8-8 (V92215)) (OPT HL441UC8-8 (V97928)) (OPT HL41PY8-8 (V80539)) (OPT HL441N8-8 (V80539)) (OPT HL441UC8-8 (V80539)) (OPT WC1318-8 (V60516)) (OPT 67068-8A8 (V56878)) (OPT HL441UC8-8 (V08524))	A,B,E ,F,L, M	1

25-28-14

FIG. & ITEM	PART NO.	AIRLINE PART NUMBER	NOMENCLATURE 1234567	EFF CODE	QTY PER ASSY
R 01-486	AN960C416L		.WASHER	A,B,E ,F,L, M	1
R 488	H01-4BAC		.NUT- (V15653) (SPEC BACN10JC4CM) (OPT NS202101SE048 (V80539)) (OPT T6C428JM (V11815)) (OPT VN303D048 (V92215)) (OPT 109LH9075-4W (V72962)) (OPT 97E48 (V80539)) -----*	A,B,E ,F,L, M	1
R 492	412T2046-3		.DOUBLER	A,E,L	1
R -495	412T2046-4		.DOUBLER	B,F,M	1
R 496	HL19PB10-24		.BOLT- (V56878) (SPEC BACB30FN10-24) (OPT HL19PB10-24 (V73197)) (OPT HL19PB10-24 (V92215)) (OPT HL19PB10-24 (V97928)) (OPT 62547-10-24 (V56878)) (OPT HL19PB10-24 (V80539)) (OPT WC2510-24 (V60516)) (OPT HL19PB10-24 (V60516)) (OPT HL19PB10-24 (V08524))	Q-T	1

25-28-14

FIG. & ITEM	PART NO.	AIRLINE PART NUMBER	NOMENCLATURE 1234567	EFF CODE	QTY PER ASSY
R 01- -496A	HL19PB10-25		.BOLT- (V56878) (SPEC BACB30FN10-25) (OPT HL19PB10-25 (V73197)) (OPT HL19PB10-25 (V92215)) (OPT HL19PB10-25 (V97928)) (OPT 62547-10-25 (V56878)) (OPT HL19PB10-25 (V80539)) (OPT WC2510-25 (V60516)) (OPT HL19PB10-25 (V60516)) (OPT HL19PB10-25 (V08524))	U,V	1
R 496E	AN960C516L		.WASHER	Q-V	1
R 496F	H01-5BAC		.NUT- (V15653) (SPEC BACN10JC5CM) (OPT T6C524JM (V11815)) (OPT 109LH9075-5W (V72962)) (OPT 97E054 (V80539))	Q-V	1
R 496G	BACB28Z5-025		.BUSHING- (V23294) (SPEC BACB28Z5-025) (OPT BACB28Z5-025 (V70265)) (OPT BACB28Z5-025 (V94892))	Q-V	2
R 497	412T2010-7		.TIE ASSY-TNSN	Q,R	1
R 497J	412T2010-1		.TIE ASSY-TNSN (OPT ITEM 497K)	S-V	1
R -497K	1281-1		.TIE ASSY-TNSN (V34742) (OPT ITEM 497J)	S-V	1
R 498	412T2010-1		.TIE ASSY-TNSN (OPT ITEM 498A)	A,B,E F,L, M	1

25-28-14

 ILLUSTRATED PARTS LIST
 01.1 Page 1082
 Jan 01/91



BOEING
COMPONENT
MAINTENANCE MANUAL

FIG. & ITEM	PART NO.	AIRLINE PART NUMBER	NOMENCLATURE 1234567	EFF CODE	QTY PER ASSY
R 01-498A	1281-1		.TIE ASSY-TNSN (V34742) (OPT ITEM 498)	A,B,E ,F,L, M	1
R 502 502A	BACB30LL5U24 HL19PB10-24		ATTACHING PARTS DELETED .BOLT- (V56878) (SPEC BACB30FN10-24) (OPT HL19PB10-24 (V73197)) (OPT HL19PB10-24 (V92215)) (OPT HL19PB10-24 (V97928)) (OPT 62547-10-24 (V56878)) (OPT HL19PB10-24 (V80539)) (OPT WC2510-24 (V60516)) (OPT HL19PB10-24 (V60516)) (OPT HL19PB10-24 (V08524))	A,B,E ,F,L, M	1
R 505	AN960C516		.WASHER	A,B,E ,F,L, M	1
R 508	H01-5BAC		.NUT- (V15653) (SPEC BACN10JC5CM) (OPT T6C524JM (V11815)) (OPT 109LH9075-5W (V72962)) (OPT 97E054 (V80539)) -----*	A,B,E ,F,L, M	1

25-28-14

ILLUSTRATED PARTS LIST
01.1 Page 1082A
Jan 01/91

FIG. & ITEM	PART NO.	AIRLINE PART NUMBER	NOMENCLATURE 1234567	EFF CODE	QTY PER ASSY
R 01-510	BACB28Z5-025		.BUSHING- (V23294) (SPEC BACB28Z5-025) (OPT BACB28Z5-025 (V70265)) (OPT BACB28Z5-025 (V94892))	A,B,E ,F,L, M	1
R 511	ART4E125		..BEARING-ROD END (V50294) (SPEC 10-60779-102) (OPT YTM124B (V77896)) (OPT DREM4-057 (V81376)) (OPT REM8ATC10 (V21335)) (OPT 01-727-0250 (V09455)) (OPT NHNE4-201 (V15860)) (OPT MSSR45-14BAC (V73134)) (OPT KBDE4-31 (V97613))	Q,R	1
R 512	412T2010-2		..TUBE- (USED ON ITEM 498)	A,B,E ,F,L, M,S-V	1
R 513	10-60779-103L		..BEARING-ROD END	Q,R	1
R 514	AN316-5R		..NUT	Q,R	1

25-28-14

 ILLUSTRATED PARTS LIST
 01.1 Page 1082B
 Jan 01/91

 **BOEING**
COMPONENT
MAINTENANCE MANUAL

FIG. & ITEM	PART NO.	AIRLINE PART NUMBER	NOMENCLATURE 1234567	EFF CODE	QTY PER ASSY
R 01-515	412T2010-3		..PAD- (USED ON ITEM 498)	A,B,E ,F,L, M,S,T	1
R 516	AN316-5L		..NUT	Q,R	1
R 517	412T2010-8		..TUBE	Q,R	1
R 518	412T2011-1		..FITTING ASSY- (USED ON ITEM 498)	A,B,E ,F,L, M,S-V	1
R 520	SALPYT6-16		ATTACHING PARTS ..BOLT- (V11815) (SPEC BACB30GW6-16) (OPT SALPYT6-16 (V29666)) (OPT SALPYT6-16 (V17446))	A,B,E ,F,L, M,S-V	2
R 522	2DCC6		..COLLAR- (V11815) (SPEC BACC30K6) (OPT 2DCC6 (V17446)) -----*	A,B,E ,F,L, M,S-V	2
R 525	HU4-134		...BEARING- (V02758) (SPEC BACB10AB4) (OPT ABW4V5 (V50294)) (OPT AB4VCRG (V15860)) (OPT BSSR4804 (V81376)) (OPT KWB4-20CRG (V97613)) (OPT WG4E (V73134)) (OPT 55282 (V09455)) (OPT WC4G1 (V56644))	A,B,E ,F,L, M,S-V	1

25-28-14

FIG. & ITEM	PART NO.	AIRLINE PART NUMBER	NOMENCLATURE 1234567	EFF CODE	QTY PER ASSY
R 01-528	412T2011-2		...FITTING	A,B,E F,L M,S-V	1
R 530	10-60779-112L		..BEARING-ROD END (USED ON ITEM 498)	A,B,E F,L M,S-V	1
R 532	412T2012-2		..NUT- (USED ON ITEM 498)	A,B,E F,L M,S-V	1
R 535	412T2012-1		..SLEEVE- (USED ON ITEM 498)	A,B,E F,L M,S-V	1
R 538	AN316-6L		..NUT- (USED ON ITEM 498)	A,B,E F,L M,S-V	1
R 539	412T2047-1		.SPACER	A,B,E F,L M	1
R 539C	NAS623-3-1		.SCREW	L,M	14
R 539E	NAS620A10L		.WASHER	L,M	14
R 539G	413T1098-1		.BRACKET	L,M	7
R 539J	413T1012-11		.PANEL ASSY-DIVIDER	L	1
R -539L	413T1012-12		.PANEL ASSY-DIVIDER	M	1
R 539N	413T1012-5		DELETED		
R 539Q	NAS1836-3-09		..INSERT	L,M	7
R 540	413T1013-13		.SHELL ASSY	A,E	1
R -540G	413T1013-415		DELETED		
R -540H	413T1013-447		.SHELL ASSY	L	1
R -540J	413T1013-641		.SHELL ASSY	Q	1
R -540K	413T1013-647		.SHELL ASSY	S	1
R -542	413T1013-14		.SHELL ASSY	B,F	1
R -542G	413T1013-416		DELETED		
R -542H	413T1013-448		.SHELL ASSY	M	1

25-28-14

 ILLUSTRATED PARTS LIST
 01.1 Page 1082D
 Jan 01/91

FIG. & ITEM	PART NO.	AIRLINE PART NUMBER	NOMENCLATURE 1234567	EFF CODE	QTY PER ASSY
01-					
R -542J	413T1013-642		.SHELL ASSY	R	1
R -542K	413T1013-648		.SHELL ASSY	T	1
R 545	413T1013-21		..PANEL ASSY-INBD	A,B,E ,F,L, M,Q-T	1
R 548	413T1013-22		..PANEL ASSY-INBD	A,B,E ,F,L, M,Q-T	1
R 550	NAS1836-3-07		...INSERT	A,B,E ,F,L, M,Q-T	5
R 552	413T1013-29		..PANEL ASSY-FWD	A,E,L	1
R -553	413T1013-49		..PANEL ASSY-FWD	Q,S	1
R -555	413T1013-30		..PANEL ASSY-FWD	B,F,M	1
R -556	413T1013-50		..PANEL ASSY-FWD	R,T	1
R 558	NAS1836-3-11		...INSERT	A,B,E ,F,L, M,Q-T	25
R 559	NAS1836-3-11		...INSERT	A,B,E ,F,L, M	3
R 560	NAS1834A3-400		...INSERT- (OPT ITEM 560A)	A,B,E ,F,L, M,Q-T	3
R -560A	NAS1834-3-400		...INSERT- (OPT ITEM 560)	A,B,E ,F,L, M,Q-T	3
R 561	NAS1834A3-400		...INSERT- (OPT ITEM 561A)	Q-T	3
R -561A	NAS1834-3-400		...INSERT- (OPT ITEM 561)	Q-T	3
R 562	413T1013-35		..PANEL ASSY-SHELL	A,E	1
-562G	413T1013-417		DELETED		
R -562H	413T1013-449		..PANEL ASSY-SHELL	L	1
R -562J	413T1013-499		..PANEL ASSY-SHELL	Q	1
R -562K	413T1013-649		..PANEL ASSY-SHELL	S	1
R -565	413T1013-36		..PANEL ASSY-SHELL	B,F	1
-565G	413T1013-418		DELETED		
R -565H	413T1013-450		..PANEL ASSY-SHELL	M	1
R -565J	413T1013-600		..PANEL ASSY-SHELL	R	1
R -565K	413T1013-650		..PANEL ASSY-SHELL	T	1
R 567	NAS1833-3-400		...INSERT	Q-T	2
R 568	NAS1834A3-400		...INSERT- (OPT ITEM 568A)	A,B,E ,F,L, M	9

25-28-14

FIG. & ITEM	PART NO.	AIRLINE PART NUMBER	NOMENCLATURE 1234567	EFF CODE	QTY PER ASSY
R 01-568A	NAS1834-3-400		...INSERT- (OPT ITEM 568)	A,B,E ,F,L, M	9
R 569	NAS1834A3-400		...INSERT- (OPT ITEM 569A)	Q-T	4
R -569A	NAS1834-3-400		...INSERT- (OPT ITEM 569)	Q-T	4
R 570	NAS1834A3-400		...INSERT- (OPT ITEM 570A)	A,B,E ,F,L, M,Q-T	6
R -570A	NAS1834-3-400		...INSERT- (OPT ITEM 570)	A,B,E ,F,L, M,Q-T	6
R 572	NAS1834A4-400		...INSERT- (OPT ITEM 572A)	A,B,E ,F,L, M,Q-T	5
R -572A	NAS1834-4-400		...INSERT- (OPT ITEM 572)	A,B,E ,F,L, M,Q-T	5
R 574	NAS1834C5-400		...INSERT	Q-T	1
R 575	NAS1834C5-400		...INSERT	A,B,E ,F,L, M	1
R 576	NAS1834C4-400		...INSERT	A,B,E ,F,L, M	1
R 577	NAS1836-08-11		...INSERT	A,B,E ,F,L, M	2

25-28-14

 ILLUSTRATED PARTS LIST
 01.1 Page 1082F
 Jan 01/91

FIG. & ITEM	PART NO.	AIRLINE PART NUMBER	NOMENCLATURE 1234567	EFF CODE	QTY PER ASSY
R 01-578	NAS1836-08-11		...INSERT	A,B,E F,L M,Q-T	2
R 579	SL618-3A		...INSERT- (V97393)	A,B,E F,L M,Q-T	8
R 579A	SL618-3A		...INSERT- (V97393)	L,M	4
R 580	NAS1836-3-11		...INSERT	A,B,E F,L M,Q-T	52
R 581	NAS1836-3-11		...INSERT	A,B,E F,L M	7
R 582	NAS1836-3-11		...INSERT	Q-T	4
R 583	NAS1836-3-11		...INSERT	S,T	4
R 585	NAS1836-3-11		...INSERT	L,M	4
R 588	413T1013-101		..PANEL ASSY-AFT	A,E,L Q	1
R -589	413T1013-651		..PANEL ASSY-AFT	S	1
R -590	413T1013-102		..PANEL ASSY-AFT	B,F,M R	1
R -591	413T1013-652		..PANEL ASSY-AFT	T	1
R 605	NAS1834A3-400		...INSERT- (OPT ITEM 605A)	A,B,E F,L M,Q-T	3
R -605A	NAS1834-3-400		...INSERT- (OPT ITEM 605)	A,B,E F,L M,Q-T	3

25-28-14

FIG. & ITEM	PART NO.	AIRLINE PART NUMBER	NOMENCLATURE 1234567	EFF CODE	QTY PER ASSY
R 01-610	NAS1836-3-11		...INSERT	A,B,E F,L M,Q-T	22
R 613	NAS1836-3-11		...INSERT	S,T	2
R 625	413T1002-18		DELETED		
R 630	BAC27TPPS0246		.DECAL-DOOR MUST BE LATCHED CLOSED LOAD LIMIT 87 LB/ 36 KG	A,B,E F	1
R 633	BAC29PPS0556		.PLACARD-DOOR MUST BE LATCHED CLOSED LOAD LIMIT 25 LB/ 11 KG	L,M	1
R 636	BAC29PPS0558		.PLACARD-EMERGENCY EQUIPMENT ONLY	L,M	1
R 639	BAC29PPS0554		.DECAL-DOOR MUST BE LATCHED CLOSED LOAD LIMIT 54 LB/ 24 KG	L,M	1
R 642	BAC29PPS2172		.DECAL-LATCH DOOR CLOSED	Q-T	1
R 645	BAC29PPS2174		.DECAL-LOAD LIMIT 87 LB/ 39KG	Q-T	1
R 650	BACB30LU3-9		.BOLT- (V06710) (SPEC BACB30LU3-9) (OPT BACB30LU3-9 (V06725)) (OPT BACB30LU3-9 (V06950)) (OPT BACB30LU3-9 (V17943)) (OPT BACB30LU3-9 (V27624)) (OPT BACB30LU3-9 (V56878)) (OPT BACB30LU3-9 (V80539)) (OPT BACB30LU3-9 (V85495)) (OPT BACB30LU3-9 (V92215)) (OPT BACB30LU3-9 (V97928))	U,V	4

25-28-14

 ILLUSTRATED PARTS LIST
 01.1 Page 1082H
 Jan 01/91

FIG. & ITEM	PART NO.	AIRLINE PART NUMBER	NOMENCLATURE 1234567	EFF CODE	QTY PER ASSY
01-					
R 653	AN960JD10LL		.WASHER	U,V	4
R 656	MS21042L3		.NUT	U,V	4
R 659	NAS623-3-1		.SCREW	U,V	4
R 662	NAS620A10L		.WASHER	U,V	8
R 665	412T3109-43		.ANGLE	U	1
R -667	412T3109-44		.ANGLE	V	1
R 670	412T2046-5		.DOUBLER	U,V	2
R 673	412T2013-29		.FITTING ASSY ATTACHING PARTS	U,V	1
R 676	BACB30LU3-9		.BOLT- (V06710) (SPEC BACB30LU3-9) (OPT BACB30LU3-9 (V06725)) (OPT BACB30LU3-9 (V06950)) (OPT BACB30LU3-9 (V17943)) (OPT BACB30LU3-9 (V27624)) (OPT BACB30LU3-9 (V56878)) (OPT BACB30LU3-9 (V80539)) (OPT BACB30LU3-9 (V85495)) (OPT BACB30LU3-9 (V92215)) (OPT BACB30LU3-9 (V97928))	U,V	1

25-28-14

FIG. & ITEM	PART NO.	AIRLINE PART NUMBER	NOMENCLATURE 1234567	EFF CODE	QTY PER ASSY
R 01-679	BACB30LU3-10		.BOLT- (V06710) (SPEC BACB30LU3-10) (OPT BACB30LU3-10 (V06725)) (OPT BACB30LU3-10 (V06950)) (OPT BACB30LU3-10 (V17943)) (OPT BACB30LU3-10 (V27624)) (OPT BACB30LU3-10 (V56878)) (OPT BACB30LU3-10 (V80539)) (OPT BACB30LU3-10 (V85495)) (OPT BACB30LU3-10 (V92215)) (OPT BACB30LU3-10 (V97928))	U,V	3
R 681	AN960JD10		.WASHER	U,V	3
R 684	NAS6603-9		.BOLT	U,V	2
R 687	AN960JD10LL		.WASHER	U,V	3
R 690	MS21042L3		.NUT -----*	U,V	6
R 693	NAS677-4-9		DELETED		
R 693A	NAS77-4-009		..BUSHING	U,V	1

25-28-14

FIG. & ITEM	PART NO.	AIRLINE PART NUMBER	NOMENCLATURE 1234567	EFF CODE	QTY PER ASSY
R 01-696	412T2013-30		..FITTING	U,V	1
R 699	BACB30LU3-9		.BOLT- (V06710) (SPEC BACB30LU3-9) (OPT BACB30LU3-9 (V06725)) (OPT BACB30LU3-9 (V06950)) (OPT BACB30LU3-9 (V17943)) (OPT BACB30LU3-9 (V27624)) (OPT BACB30LU3-9 (V56878)) (OPT BACB30LU3-9 (V80539)) (OPT BACB30LU3-9 (V85495)) (OPT BACB30LU3-9 (V92215)) (OPT BACB30LU3-9 (V97928))	U,V U,V	3
R 702	AN960JD10LL		.WASHER	U,V	3
R 704	MS21042L3		.NUT	U,V	3
R 706	NAS623-3-1		.SCREW	U,V	3
R 708	NAS623-3-2		.SCREW	U,V	2
R 710	NAS620A10L		.WASHER	U,V	5
R 712	412T2013-31		.BRACKET	U	1
R -714	412T2013-32		.BRACKET	V	1
R 716	412T2046-7		.DOUBLER	U,V	1
R 718	413T1126-25		.DOUBLER ASSY	U	1
R -720	413T1126-26		.DOUBLER ASSY	V	1
			ATTACHING PARTS		
R 722	NAS623-3-1		.SCREW	U,V	3
R 724	NAS620A10L		.WASHER	U,V	3
			-----*		
R 726	AN960JD10		..WASHER	U,V	2
R 728	413T1126-27		..DOUBLER	U	1
R -730	413T1126-28		..DOUBLER	V	1
R 732	NAS623-3-1		.SCREW	U,V	3

25-28-14

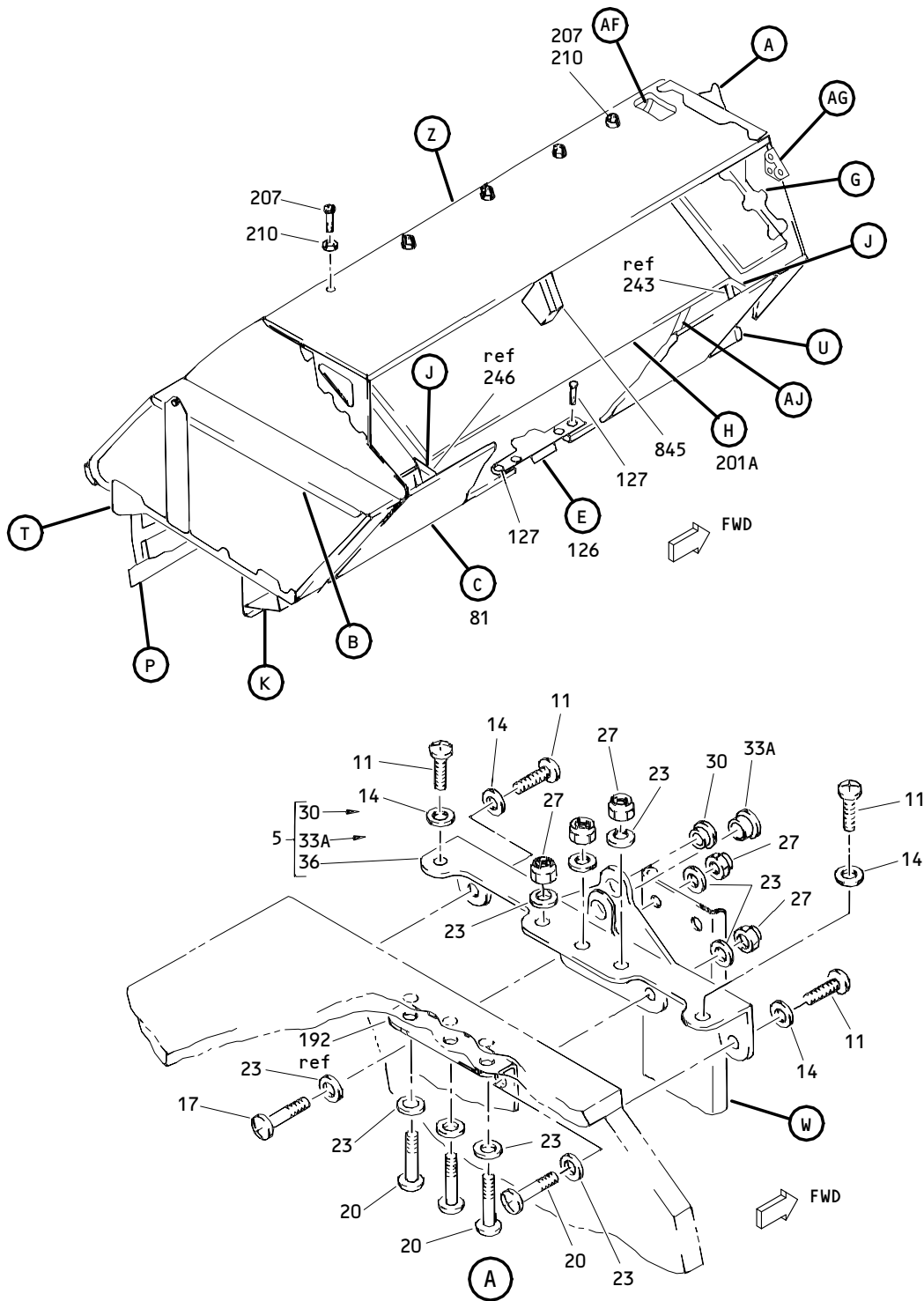
FIG. & ITEM	PART NO.	AIRLINE PART NUMBER	NOMENCLATURE 1234567	EFF CODE	QTY PER ASSY
01-					
R 734	NAS623-3-2		.SCREW	U,V	2
R 736	NAS620A10L		.WASHER	U,V	5
R 738	413T1126-13		.DOUBLER	U	1
R -740	413T1126-14		.DOUBLER	V	1
R 742	412T3109-29		.FITTING ASSY	U	1
R -744	412T3109-30		.FITTING ASSY	V	1
R 746	BACB30LU3-9		.BOLT- (V06710) (SPEC BACB30LU3-9) (OPT BACB30LU3-9 (V06725)) (OPT BACB30LU3-9 (V06950)) (OPT BACB30LU3-9 (V17943)) (OPT BACB30LU3-9 (V27624)) (OPT BACB30LU3-9 (V56878)) (OPT BACB30LU3-9 (V80539)) (OPT BACB30LU3-9 (V85495)) (OPT BACB30LU3-9 (V92215)) (OPT BACB30LU3-9 (V97928))	U,V	3
R 748	AN960JD10LL		.WASHER	U,V	3
R 750	MS21042L3		.NUT	U,V	3
R 752	NAS623-3-1		.SCREW	U,V	2
R 754	NAS620A10L		.WASHER	U,V	2
R 756	BACB28X4C005		-----*----- ..BUSHING- (V23294) (SPEC BACB28X4C005) (OPT BACB28X4C005 (V70265)) (OPT BACB28X4C005 (V94892))	U,V	1
R 758	412T3109-31		..FITTING	U	1
R -760	412T3109-32		..FITTING	V	1
R 762	NAS623-3-1		.SCREW	U,V	21
R 764	NAS620A10L		.WASHER	U,V	22
R 766	413T1126-23		DELETED		

25-28-14

 **BOEING**
COMPONENT
MAINTENANCE MANUAL

FIG. & ITEM	PART NO.	AIRLINE PART NUMBER	NOMENCLATURE 1234567	EFF CODE	QTY PER ASSY
R 01-766A	413T1126-34		. DOUBLER	U	1
-768	413T1126-24		DELETED		
R -768A	413T1126-35		. DOUBLER	V	1
R 770	413T1013-677		. SHELL ASSY	U	1
R -772	413T1013-678		. SHELL ASSY	V	1
R 774	413T1013-687		.. PANEL ASSY-INBD	U,V	1
R 776	413T1013-688		.. PANEL ASSY-INBD	U,V	1
R 778	NAS1836-3-07		... INSERT	U,V	4
R 780	413T1013-683		.. PANEL ASSY-AFT	U	1
R -782	413T1013-684		.. PANEL ASSY-AFT	V	1
R 784	NAS1836-3-11		... INSERT	U,V	8
R 786	NAS1836A3-400		... INSERT	U,V	4
R 788	413T1013-681		.. PANEL ASSY-MID	U	1
R -790	413T1013-682		.. PANEL ASSY-MID	V	1
R 792	NAS1836-3-11		... INSERT	U,V	24
R 794	NAS1834A3-400		... INSERT	U,V	6
R 796	413T1013-363		.. PANEL ASSY-AFT	U	1
R -798	413T1013-364		.. PANEL ASSY-AFT	V	1
R 800	NAS1836-3-11		... INSERT	U,V	24
R 802	NAS1834A3-400		... INSERT-	U,V	7
			(OPT ITEM 802A)		
R -802A	NAS1834-3-400		... INSERT-	U,V	7
			(OPT ITEM 802)		
R 804	413T1013-679		.. PANEL ASSY	U	1
R -806	413T1013-680		.. PANEL ASSY	V	1
R 808	NAS1836-3-11		... INSERT	U,V	96
R 810	NAS1834A3-400		... INSERT	U,V	26
R 812	NAS1834A4-400		... INSERT	U,V	5
R 814	NAS1833-3-400		... INSERT	U,V	2
R 816	NAS1834C5-400		... INSERT	U,V	1
R 818	SL618-3A		... INSERT-	U,V	10
			(V97393)		

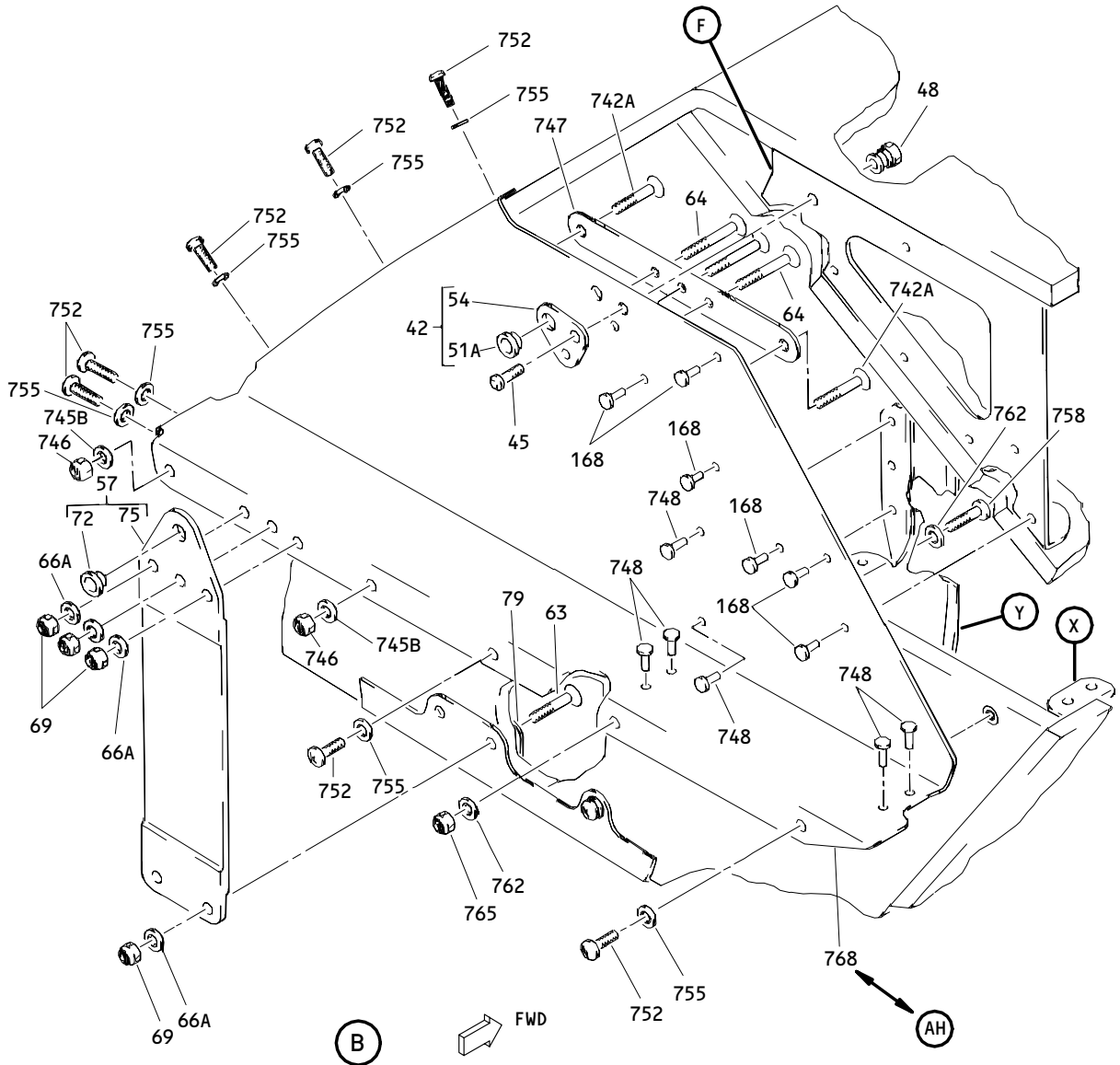
25-28-14



Outboard Overhead Storage 42 Inch Bin Assembly
 Figure 2 (Sheet 1)

25-28-14

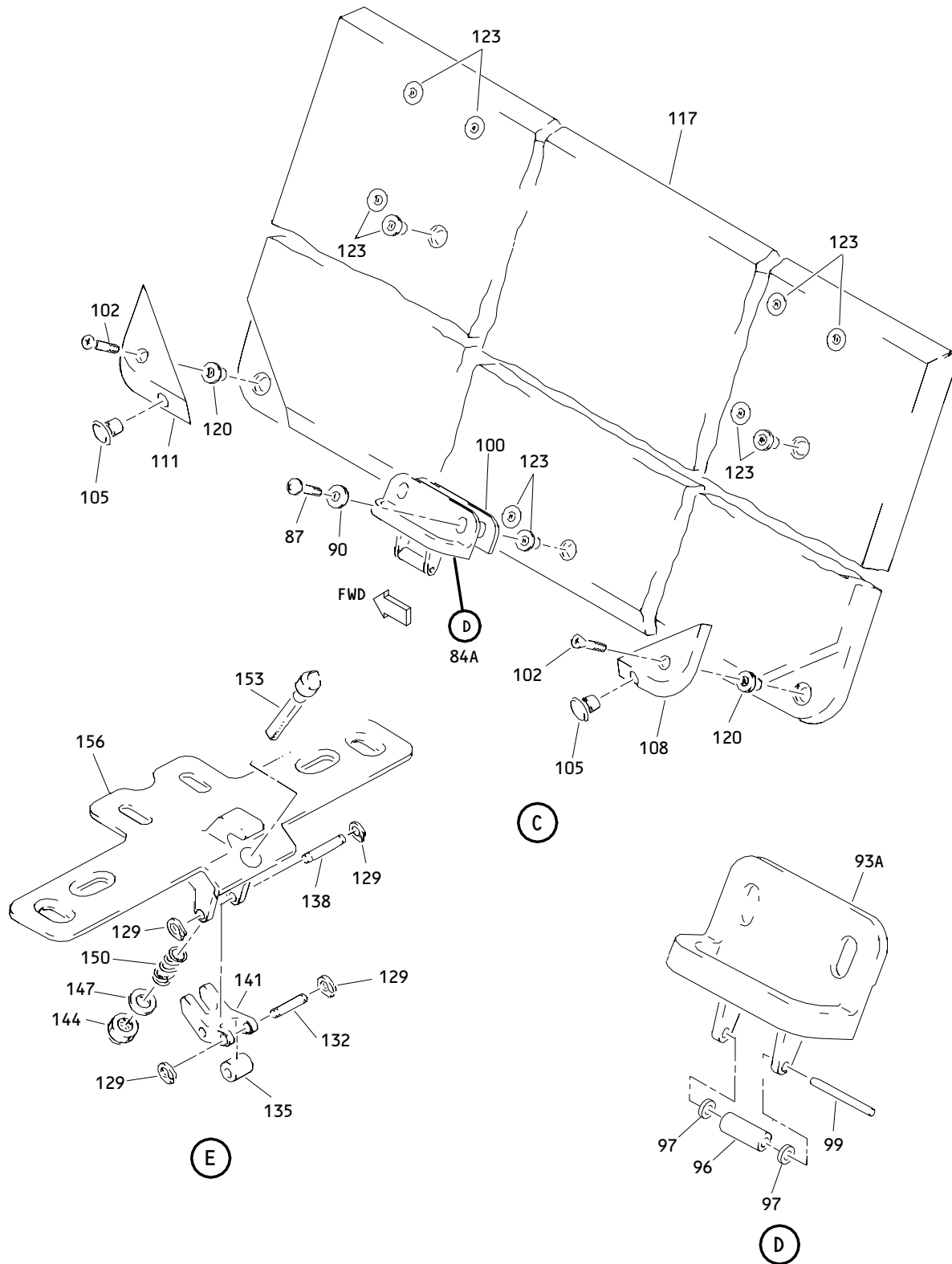
ILLUSTRATED PARTS LIST
 01.1 Page 1082N
 Jan 01/91



Outboard Overhead Stowage 42 Inch Bin Assembly
Figure 2 (Sheet 2)

25-28-14

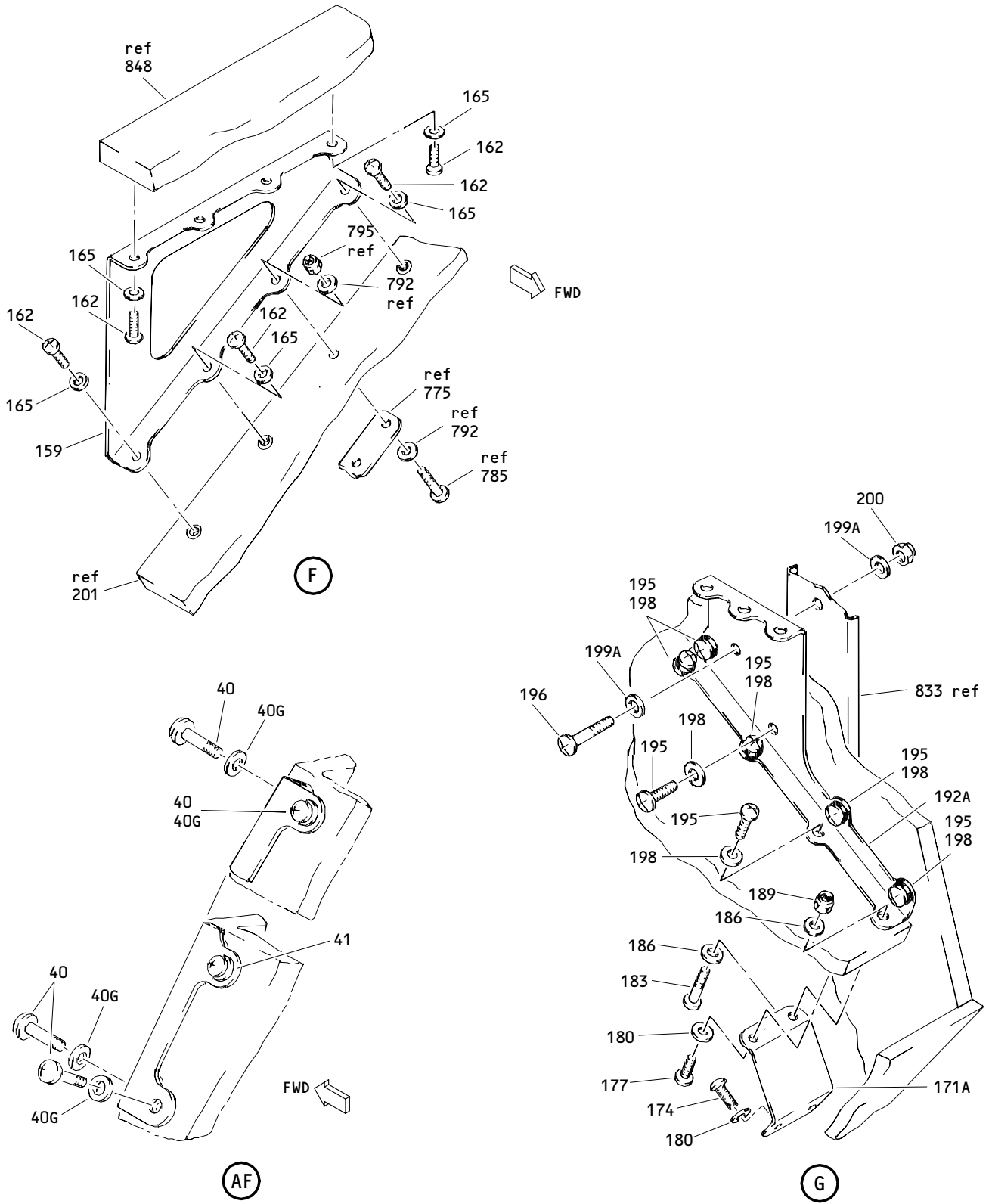
ILLUSTRATED PARTS LIST
01.1 Page 10820
Jan 01/91



Outboard Overhead Stowage 42 Inch Bin Assembly
 Figure 2 (Sheet 3)

25-28-14

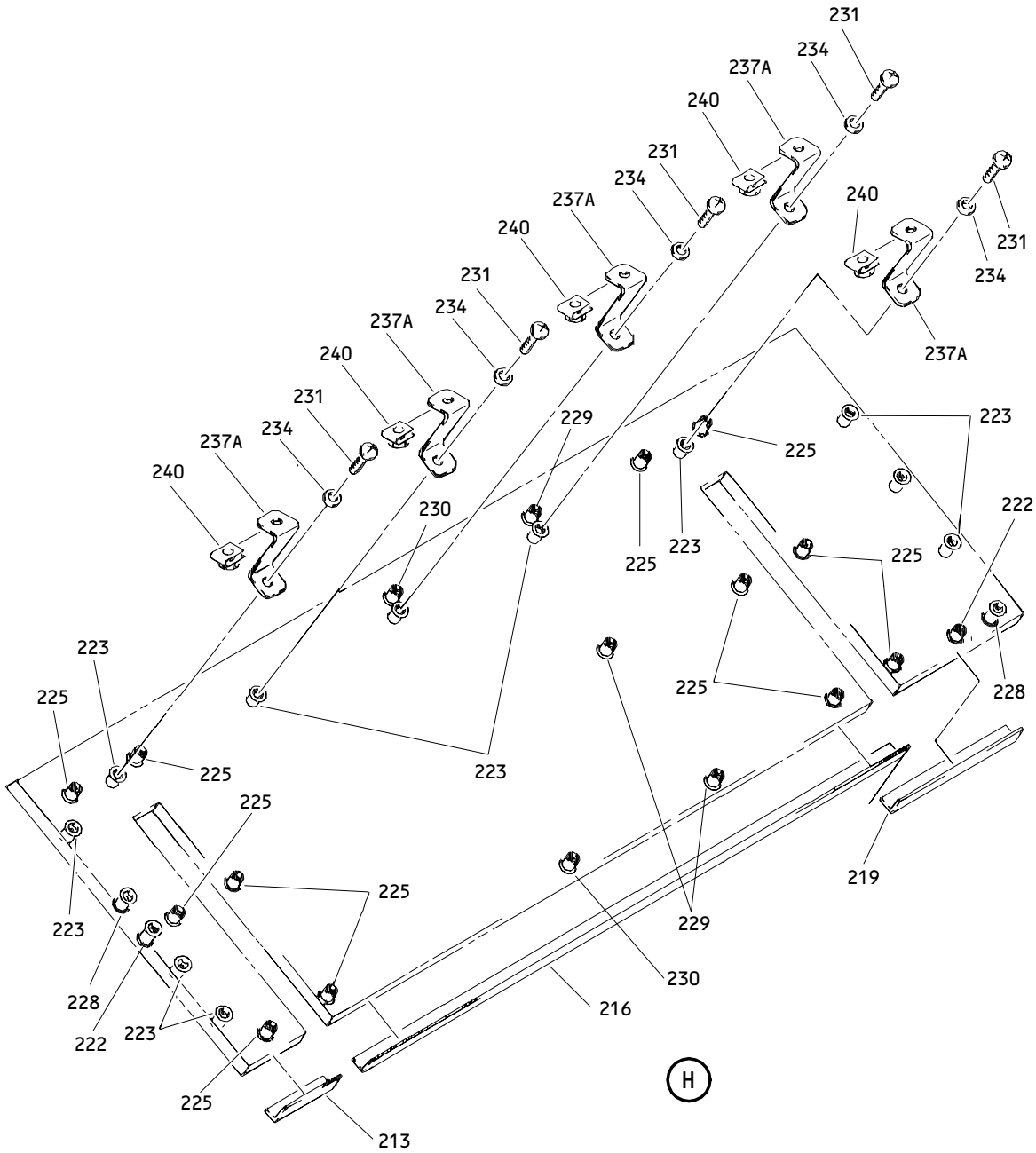
ILLUSTRATED PARTS LIST
 01.1 Page 1082P
 Jan 01/91



Outboard Overhead Stowage 42 Inch Bin Assembly
Figure 2 (Sheet 4)

25-28-14

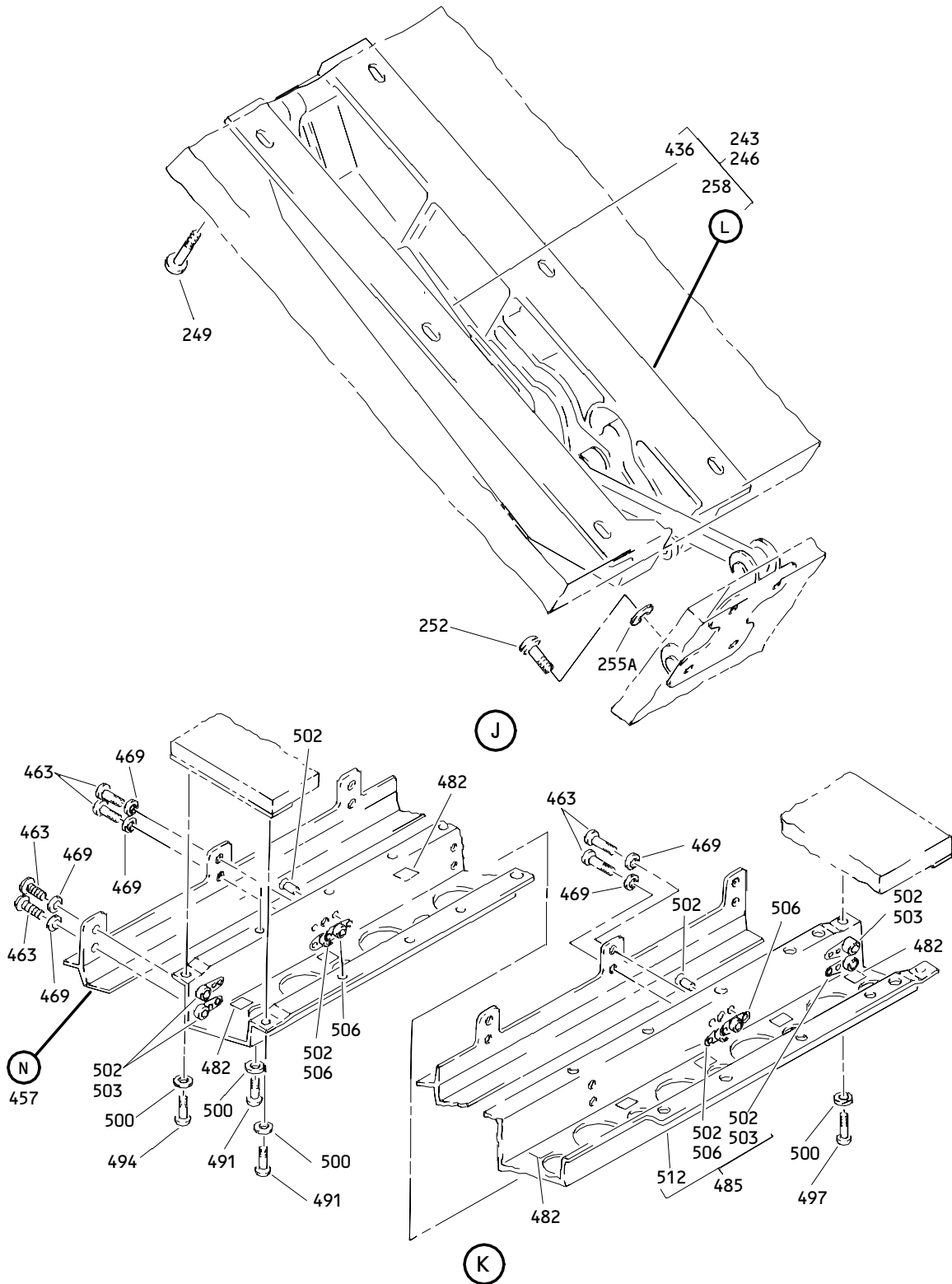
ILLUSTRATED PARTS LIST
01.1 Page 1082Q
Jan 01/91



Outboard Overhead Stowage 42 Inch Bin Assembly
Figure 2 (Sheet 5)

25-28-14

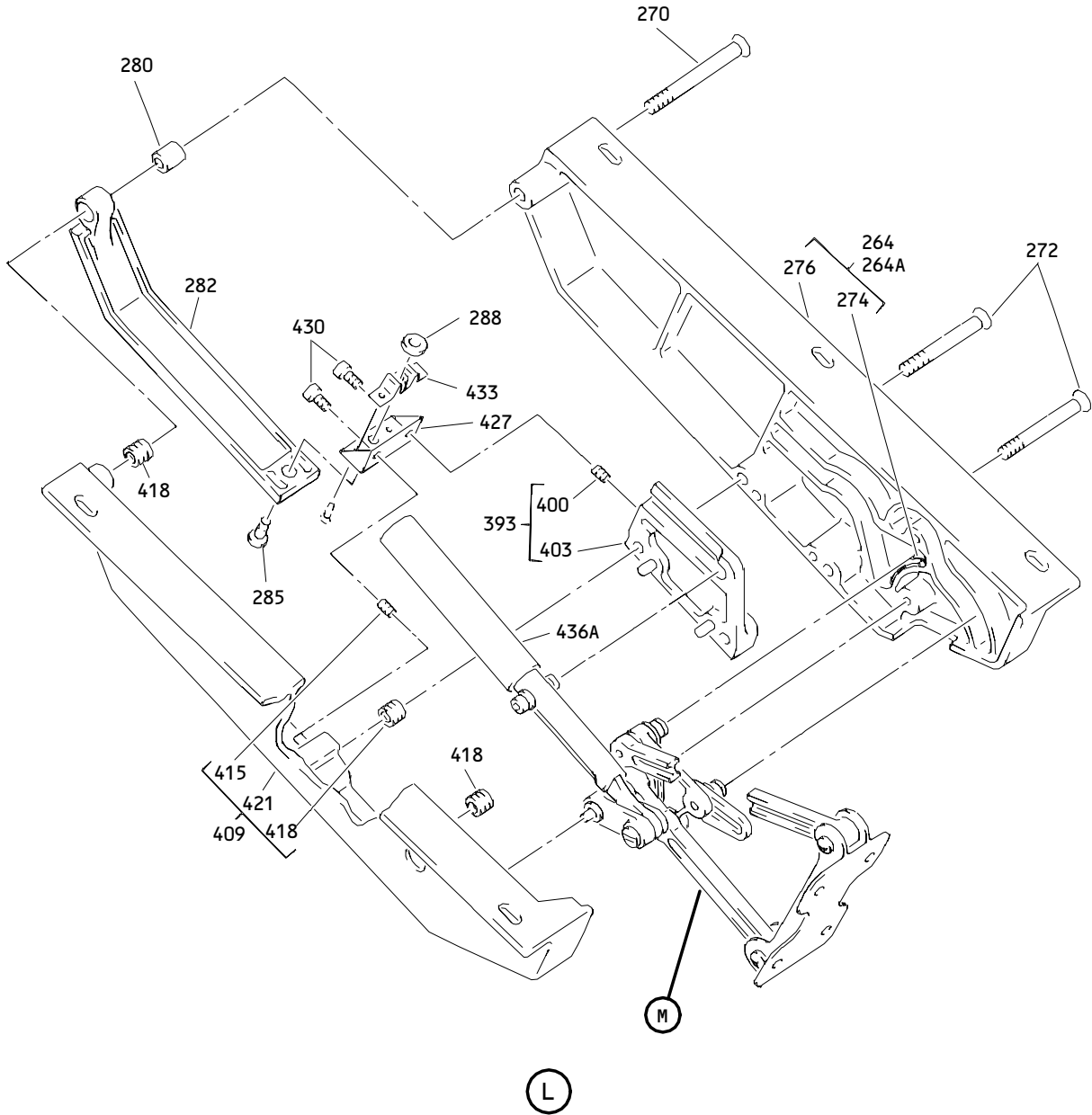
ILLUSTRATED PARTS LIST
01.1 Page 1082R
Jan 01/91



Outboard Overhead Storage 42 Inch Bin Assembly
Figure 2 (Sheet 6)

25-28-14

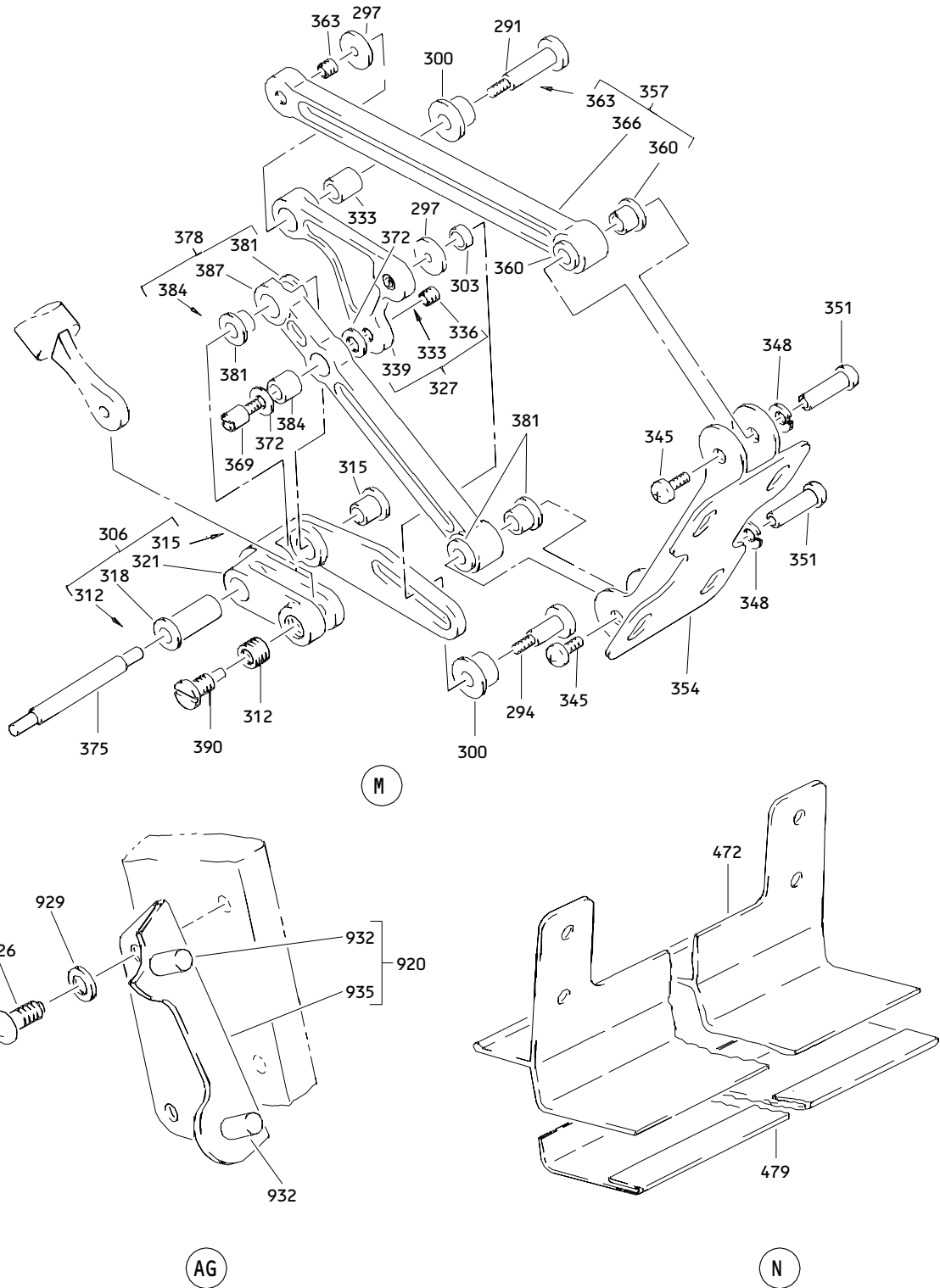
ILLUSTRATED PARTS LIST
01.1 Page 1082S
Jan 01/91



Outboard Overhead Stowage 42 Inch Bin Assembly
 Figure 2 (Sheet 7)

25-28-14

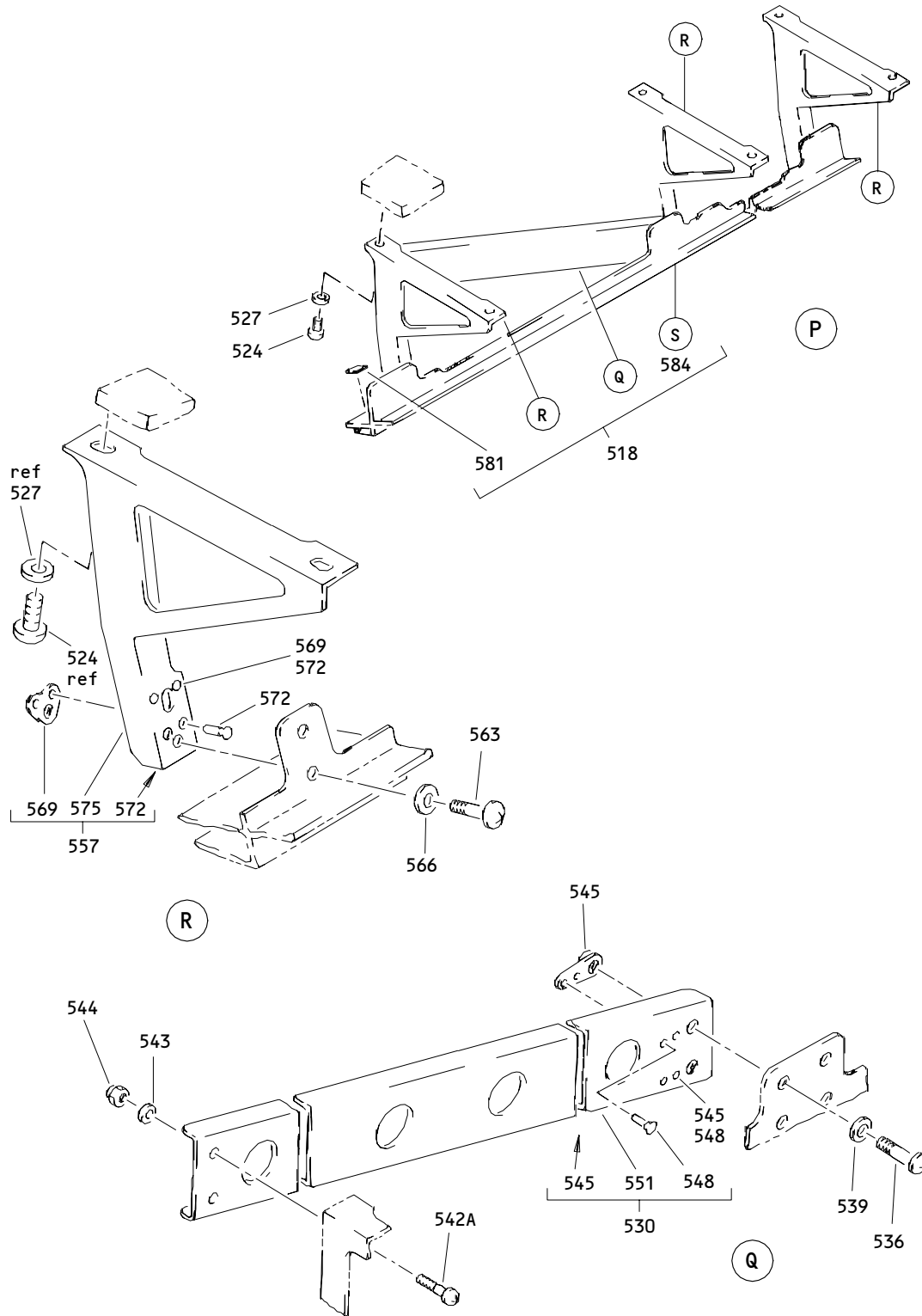
ILLUSTRATED PARTS LIST
 01.1 Page 1082T
 Jan 01/91



Outboard Overhead Stowage 42 Inch Bin Assembly
Figure 2 (Sheet 8)

25-28-14

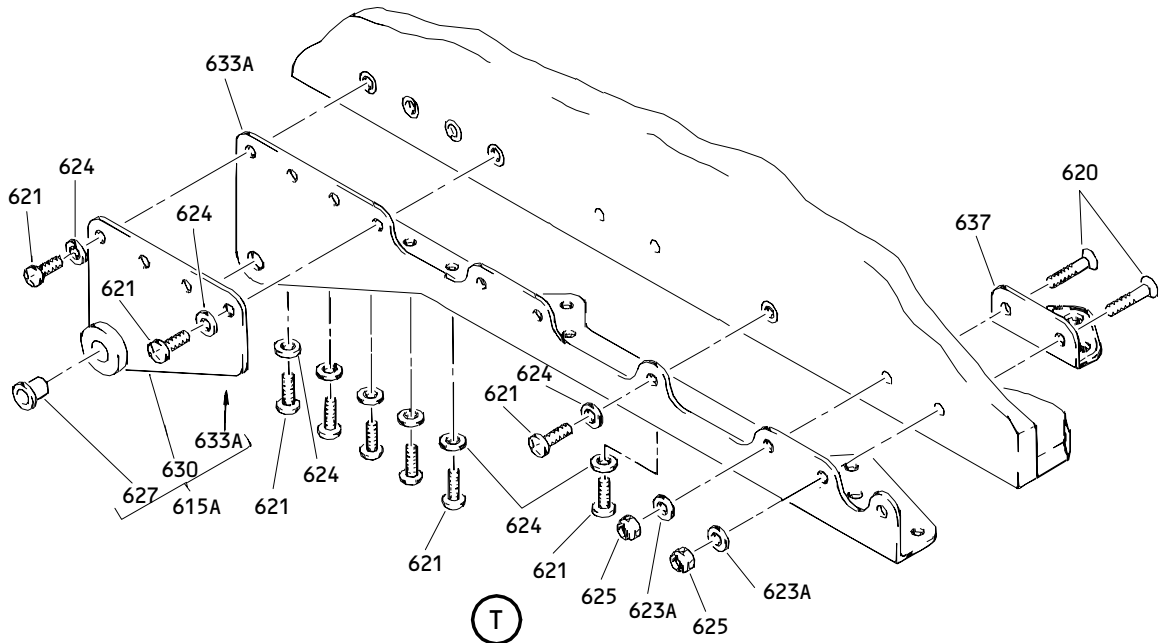
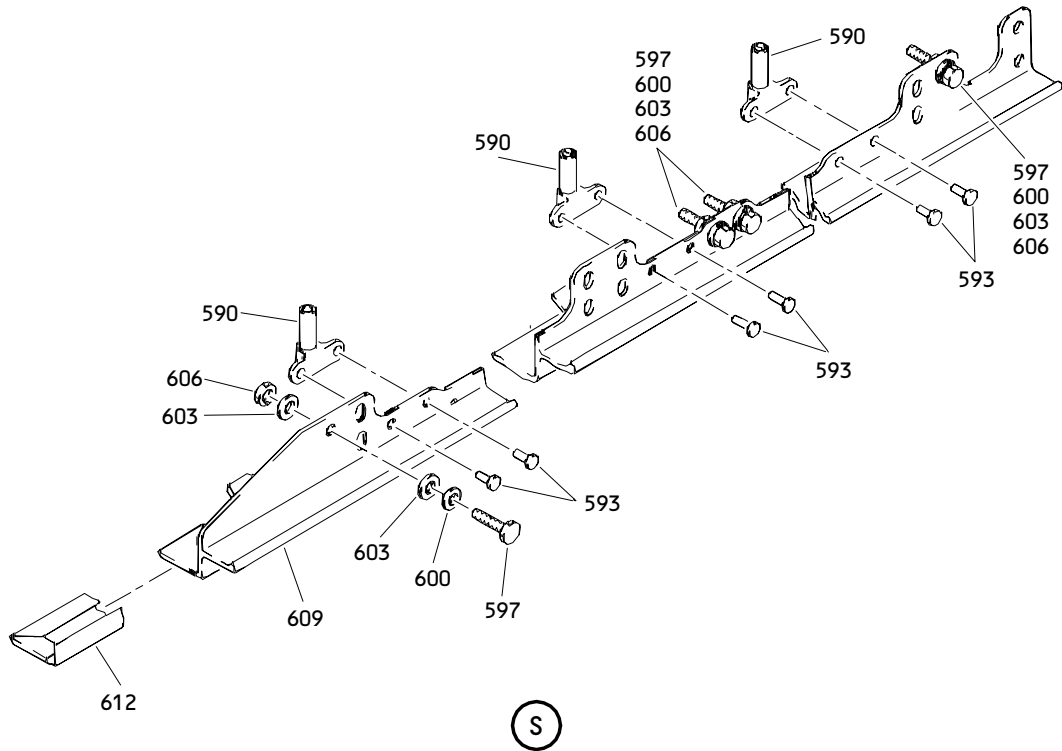
ILLUSTRATED PARTS LIST
01.1 Page 1082U
Jan 01/91



Outboard Overhead Storage 42 Inch Bin Assembly
 Figure 2 (Sheet 9)

25-28-14

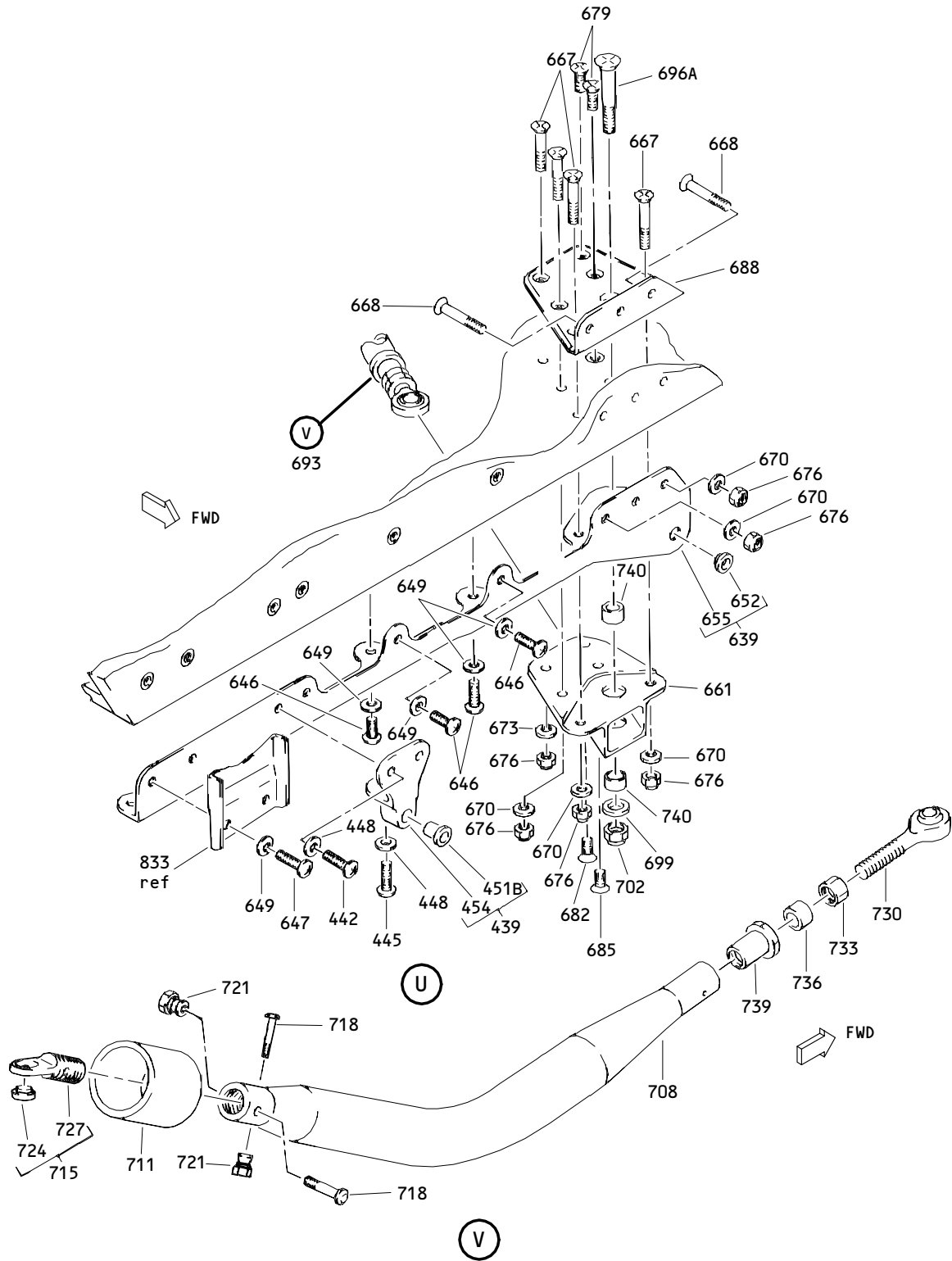
ILLUSTRATED PARTS LIST
 01.1 Page 1082V
 Jan 01/91



Outboard Overhead Stowage 42 Inch Bin Assembly
Figure 2 (Sheet 10)

25-28-14

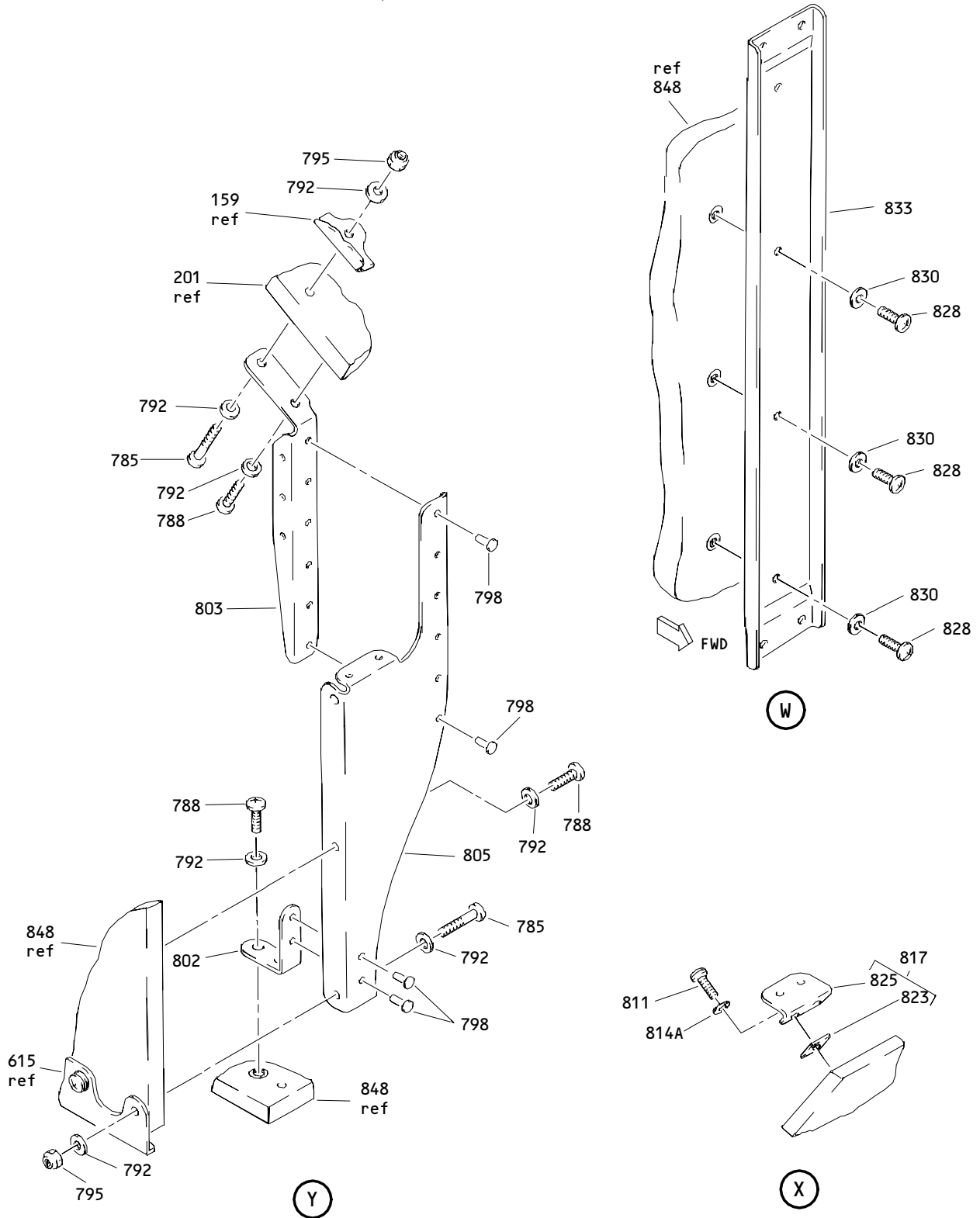
ILLUSTRATED PARTS LIST
01.1 Page 1082W
Jan 01/91



**Outboard Overhead Storage 42 Inch Bin Assembly
 Figure 2 (Sheet 11)**

25-28-14

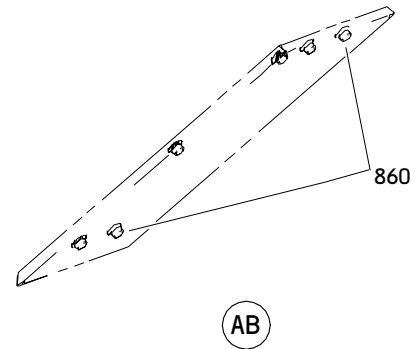
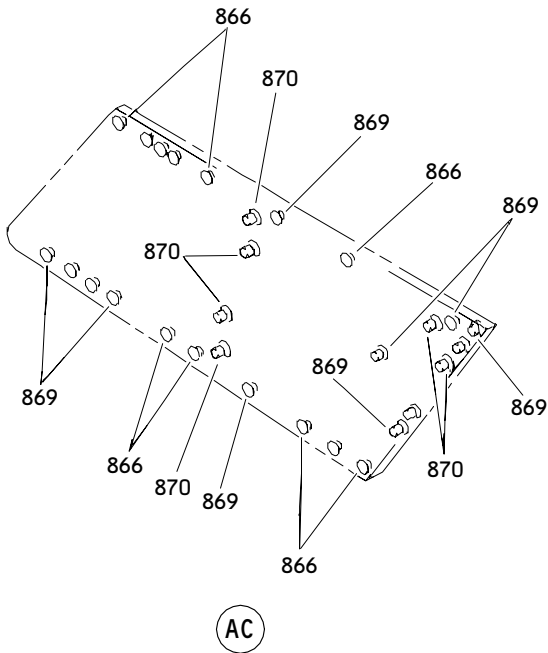
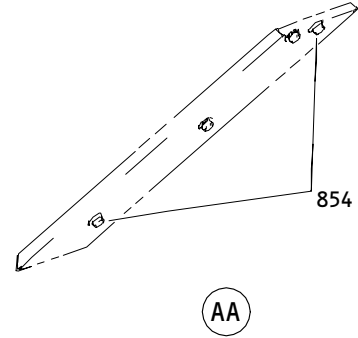
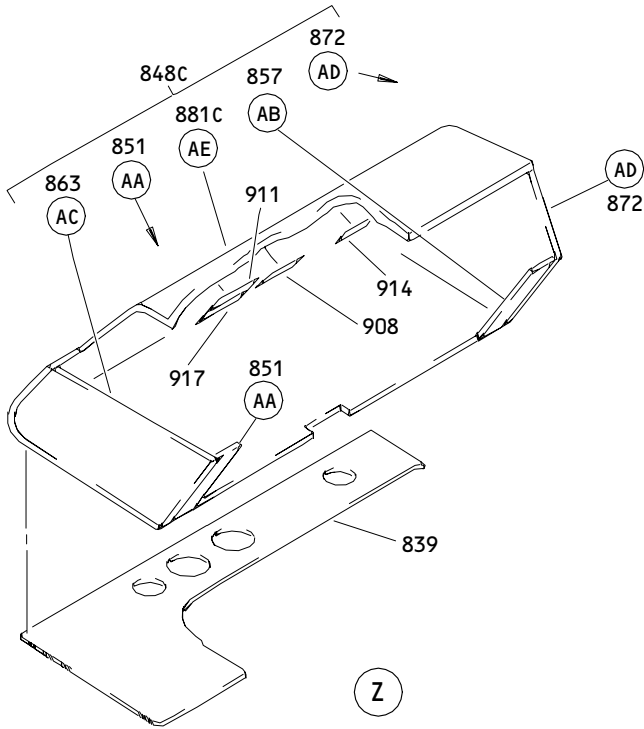
ILLUSTRATED PARTS LIST
 01.1 Page 1082X
 Jan 01/91



Outboard Overhead Storage 42 Inch Bin Assembly
Figure 2 (Sheet 12)

25-28-14

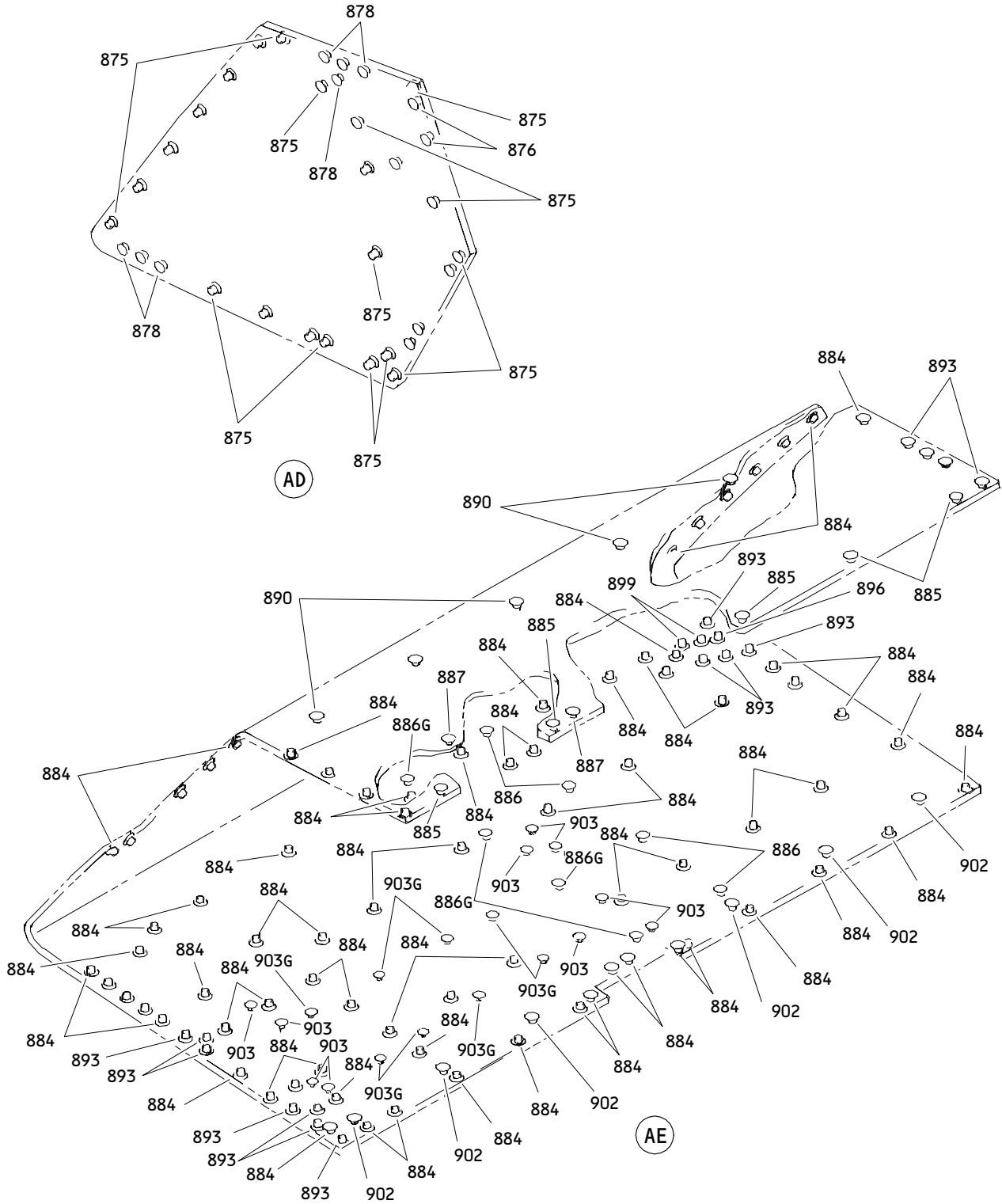
ILLUSTRATED PARTS LIST
01.1 Page 1082Y
Jan 01/91



Outboard Overhead Stowage 42 Inch Bin Assembly
 Figure 2 (Sheet 13)

25-28-14

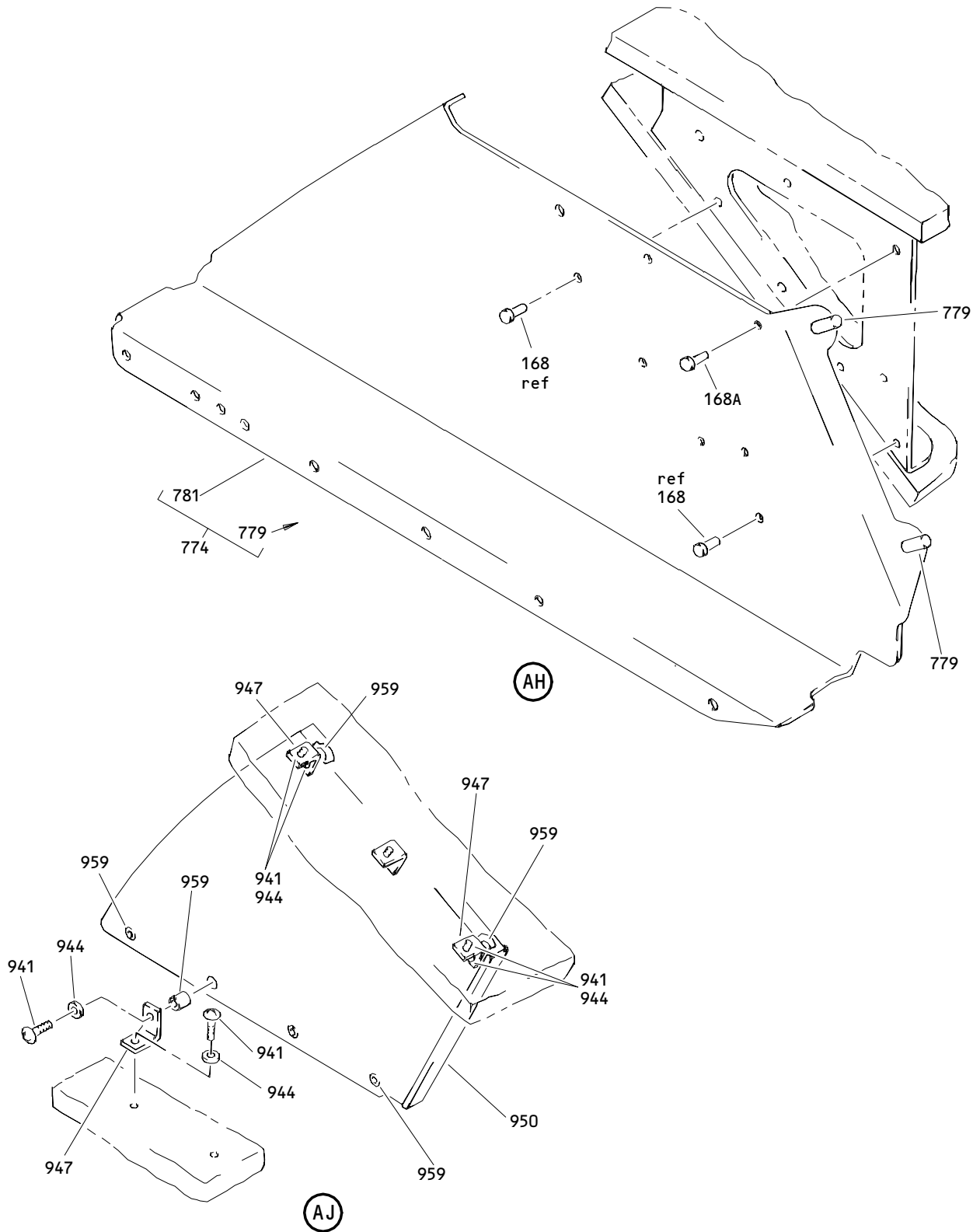
ILLUSTRATED PARTS LIST
 01.1 Page 1082Z
 Jan 01/91



Outboard Overhead Stowage 42 Inch Bin Assembly
Figure 2 (Sheet 14)

25-28-14

ILLUSTRATED PARTS LIST
01.1 Page 1083
Jan 01/91



Outboard Overhead Stowage 42 Inch Bin Assembly
 Figure 2 (Sheet 15)

25-28-14

ILLUSTRATED PARTS LIST
 01.1 Page 1084
 Jan 01/91

145214

FIG. & ITEM	PART NO.	AIRLINE PART NUMBER	NOMENCLATURE 1234567	EFF CODE	QTY PER ASSY
02- -1	413T1002-99SP		BIN ASSY-OUTBD OVERHEAD STOWAGE (LH)	C	RF
R -1A	413T1002-149SP		BIN ASSY-OUTBD OVERHEAD STOWAGE (LH)	G	RF
R -1B	413T1002-155SP		BIN ASSY-OUTBD OVERHEAD STOWAGE (LH)	H	RF
-2	413T1002-100SP		DELETED		
R -2A	413T1002-150SP		BIN ASSY-OUTBD OVERHEAD STOWAGE (RH)	J	RF
R -2B	413T1002-156SP		BIN ASSY-OUTBD OVERHEAD STOWAGE (RH)	K	RF
R 5	412T3108-5		.FITTING ASSY	C,G,H	1
R -8	412T3108-6		.FITTING ASSY	J,K	1
			ATTACHING PARTS		
R 11	NAS623-3-1		.SCREW	C,G-K	4
R 14	NAS620A10L		.WASHER	C,G-K	4
R 17	NAS6603-10		.BOLT	C,G-K	2
R 20	NAS6603-9		.BOLT	C,G-K	4
R 23	AN960PD10L		.WASHER	C,G-K	12
R 27	H10-3BAC		.NUT-	C,G-K	6
			(V15653)		
			(SPEC BACN10JC3)		
			(OPT NS202101-02		
			(V80539))		
			(OPT RMLH9075-3W		
			(V72962))		
			(OPT T6S1032J		
			(V71087))		
			(OPT VN303A02		
			(V92215))		
			(OPT 96-02		
			(V80539))		
			(OPT BRH10A3		
			(V52828))		
			-----*		

25-28-14

FIG. & ITEM	PART NO.	AIRLINE PART NUMBER	NOMENCLATURE 1234567	EFF CODE	QTY PER ASSY
R 02-30	BACB28X4C009		..BUSHING- (V23294) (SPEC BACB28X4C009) (OPT BACB28X4C009 (V70265)) (OPT BACB28X4C009 (V94892))	C,G-K	1
R 33 33A	BACB28X4024 BACB28X4C024		DELETED ..BUSHING- (V23294) (SPEC BACB28X4C024) (OPT BACB28X4C024 (V70265)) (OPT BACB28X4C024 (V94892))	C,G-K	1
R 36	412T3108-11		..FITTING	C,G,H	1
R -39	412T3108-12		..FITTING	J,K	1
R 40	NAS623-3-1		.SCREW	C,G-K	12
R 40G	NAS620A10L		.WASHER	C,G-K	12
R 41	412T2013-2		.ANGLE	C,G-K	1
R 42	412T2013-27		.FITTING ASSY ATTACHING PARTS	C,G-K	1
R 45	HL18PB5-3		.BOLT- (V56878) (SPEC BACB30FM5-3) (OPT HL18PB5-3 (V73197)) (OPT HL18PB5-3 (V92215)) (OPT HL18PB5-3 (V97928)) (OPT HL18PB5-3 (V80539)) (OPT WC22-5-3 (V60516)) (OPT 62550-5-3 (V56878)) (OPT HL18PB5-3 (V60516)) (OPT HL18PB5-3 (V08524))	C,G-K	2

25-28-14

 ILLUSTRATED PARTS LIST
 01.1 Page 1084B
 Jan 01/91

 **BOEING**
COMPONENT
MAINTENANCE MANUAL

FIG. & ITEM	PART NO.	AIRLINE PART NUMBER	NOMENCLATURE 1234567	EFF CODE	QTY PER ASSY
R 02-48	HL70-5		.COLLAR- (V56878) (SPEC BACC30M5) (OPT HL70-5 (V73197)) (OPT HL70-5 (V92215)) (OPT 66014-5 (V56878)) -----*	C,G-K	2
R 51 51A	BACB28X4C00D BACB28X4C009		DELETED ..BUSHING- (V23294) (SPEC BACB28X4C009) (OPT BACB28X4C009 (V70265)) (OPT BACB28X4C009 (V94892))	C,G-K	1
R 54	412T2013-28		..FITTING	C,G-K	1
R 57	412T2013-23		.FITTING ASSY	C,G,H	1
R -60	412T2013-24		.FITTING ASSY	J,K	1
R 63	BACB30LU3-10		ATTACHING PARTS .BOLT- (V06710) (SPEC BACB30LU3-10) (OPT BACB30LU3-10 (V06725)) (OPT BACB30LU3-10 (V06950)) (OPT BACB30LU3-10 (V17943)) (OPT BACB30LU3-10 (V27624)) (OPT BACB30LU3-10 (V56878)) (OPT BACB30LU3-10 (V80539)) (OPT BACB30LU3-10 (V85495)) (OPT BACB30LU3-10 (V92215)) (OPT BACB30LU3-10 (V97928))	C,G-K	2

25-28-14

FIG. & ITEM	PART NO.	AIRLINE PART NUMBER	NOMENCLATURE 1234567	EFF CODE	QTY PER ASSY
R 02-64	BACB30LU3-11		.BOLT- (V06710) (SPEC BACB30LU3-11) (OPT BACB30LU3-11 (V06725)) (OPT BACB30LU3-11 (V06950)) (OPT BACB30LU3-11 (V17943)) (OPT BACB30LU3-11 (V27624)) (OPT BACB30LU3-11 (V56878)) (OPT BACB30LU3-11 (V80539)) (OPT BACB30LU3-11 (V85495)) (OPT BACB30LU3-11 (V92215)) (OPT BACB30LU3-11 (V97928))	C,G-K	3
R 66	AN960KD10L		DELETED		
R 66A	AN960PD10L		.WASHER	C,G-K	5
R 69	H10-3BAC		.NUT- (V15653) (SPEC BACN10JC3) (OPT NS202101-02 (V80539)) (OPT RMLH9075-3W (V72962)) (OPT T6S1032J (V71087)) (OPT VN303A02 (V92215)) (OPT 96-02 (V80539)) (OPT BRH10A3 (V52828)) -----*-----	C,G-K	5

25-28-14

FIG. & ITEM	PART NO.	AIRLINE PART NUMBER	NOMENCLATURE 1234567	EFF CODE	QTY PER ASSY
R 02-72	BACB28X4C011		..BUSHING- (V23294) (SPEC BACB28X4C011) (OPT BACB28X4C011 (V70265)) (OPT BACB28X4C011 (V94892))	C,G-K	1
R 75	412T2013-25		..FITTING	C,G,H	1
R -78	412T2013-26		..FITTING	J,K	1
R 79	412T2046-5		..DOUBLER	C,G-K	1
R 81	413T1007-73SP		..DOOR ASSY- (OPT ITEM 81A)	C,G-K	1
R -81A	413T1007-93SP		..DOOR ASSY- (OPT ITEM 81)	C,G-K	1
R 84	412T1028-4		DELETED		
R 84A	413T1028-4		..STRIKE ASSY- (OPT ITEM 84B)	C,G-K	1
R -84B	413T1028-5		..STRIKE ASSY- (OPT ITEM 84A) ATTACHING PARTS	C,G-K	1
R 87	NAS623-3-1W		..SCREW	C,G-K	2
R 90	AN960PD10L		..WASHER -----*-----	C,G-K	2
R 93	412T1028-2		DELETED		
R 93A	413T1028-2		...STRIKE	C,G-K	1
R 96	413T1093-3		...ROLLER- (USED ON ITEM 84A)	C,G-K	1
R -96A	NAS1056C3-056		...ROLLER- (USED ON ITEM 84B)	C,G-K	1

25-28-14

FIG. & ITEM	PART NO.	AIRLINE PART NUMBER	NOMENCLATURE 1234567	EFF CODE	QTY PER ASSY
R 02-97	MS51859-1		...BUSHING- (USED ON ITEM 84B)	C,G-K	2
R 99	MS20253-2-083		...PIN-HINGE	C,G-K	1
R 100	413T1132-1		..SHIM- (USED ON ITEM 81)	C,G-K	1
R 102	NAS514P1032-6		..SCREW	C,G-K	2
R 105	413T1010-1		..BUMPER	C,G-K	2
R 108	413T1118-3		..COVER	C,G-K	1
R 111	413T1118-4		..COVER	C,G-K	1
R 117	413T1007-10SP		..COVER	C,G-K	1
R 120	SL618-3A		..INSERT- (V97393)	C,G-K	2
R 123	NAS1836-3-11		..INSERT	C,G-K	10
R 126	413T1024-2		.LATCH ASSY ATTACHING PARTS	C,G-K	1
R 127	NAS514P1032-5		.SCREW -----*-----	C,G-K	2
R 129	MS16624-5012		..RING	C,G-K	4
132	413T1090-3		..PIN	C,G-K	1
135	413T1093-2		..ROLLER	C,G-K	1
138	413T1090-1		..PIN	C,G-K	1
141	413T1091-1		..ARM	C,G-K	1
R 144	H10-08BAC		..NUT- (V15653) (SPEC BACN10JC08) (OPT NS202101-82 (V80539)) (OPT RMLH9075-82W (V72962)) (OPT T6S832J (V71087)) (OPT VN303A82 (V92215)) (OPT 96-82 (V80539)) (OPT BRH10A08 (V52828)) (OPT T6S832J (V11815))	C,G-K	1
147	AN960C8		..WASHER	C,G-K	1
R 150	MS24585C93		..SPRING	C,G-K	1
153	413T1092-2		..BOLT	C,G-K	1
R 156	413T1030-3		..BODY- (OPT ITEM 156A)	C,G-K	1

25-28-14

FIG. & ITEM	PART NO.	AIRLINE PART NUMBER	NOMENCLATURE 1234567	EFF CODE	QTY PER ASSY
R 02-156A	413T1030-4		..BODY- (OPT ITEM 156)	C,G-K	1
R 159	413T1014-11		.BRACKET	C,G,H	1
R -159A	413T1014-12		.BRACKET ATTACHING PARTS	J,K	1
R 162	NAS623-3-1		.SCREW	C,G-K	7
R 165	NAS620A10L		.WASHER	C,G-K	7
R 168	BACR15FT5D		.RIVET- (SIZE DETERMINE ON INST)	C,G-K	6
R 168A	BACR15FT5D		.RIVET- (SIZE DETERMINE ON INST)	G-K	1
			-----*		
R 171	413T1014-9		DELETED		
R 171A	413T1014-15		.BRACKET ATTACHING PARTS	C,G-K	1
R 174	NAS1801-3-4		.SCREW	C,G-K	2
R 177	NAS603-4P		.SCREW	C,G-K	1
R 180	NAS620A10L		.WASHER	C,G-K	3
R 183	NAS623-3-9		.SCREW	C,G-K	1
R 186	NAS620A10L		.WASHER	C,G-K	2
R 189	H10-3BAC		.NUT- (V15653) (SPEC BACN10JC3) (OPT NS202101-02 (V80539)) (OPT RMLH9075-3W (V72962)) (OPT T6S1032J (V71087)) (OPT VN303A02 (V92215)) (OPT 96-02 (V80539)) (OPT BRH10A3 (V52828)) -----*	C,G-K	1

25-28-14

FIG. & ITEM	PART NO.	AIRLINE PART NUMBER	NOMENCLATURE 1234567	EFF CODE	QTY PER ASSY
02-					
R 192	413T1014-7		DELETED		
R 192A	413T1014-13		.BRACKET	C,G,H	1
R -193	413T1014-14		.BRACKET	J,K	1
			ATTACHING PARTS		
R 195	NAS623-3-1		.SCREW	C,G-K	7
R 196	NAS6603-9		.BOLT	C,G-K	1
R 198	NAS620A10L		.WASHER	C,G-K	7
R 199	AN960KD10L		DELETED		
R 199A	AN960PD10L		.WASHER	C,G-K	2
R 200	H10-3BAC		.NUT-	C,G-K	1
			(V15653)		
			(SPEC BACN10JC3)		
			(OPT NS202101-02		
			(V80539))		
			(OPT RMLH9075-3W		
			(V72962))		
			(OPT T6S1032J		
			(V71087))		
			(OPT VN303A02		
			(V92215))		
			(OPT 96-02		
			(V80539))		
			(OPT BRH10A3		
			(V52828))		
			-----*-----		
R 201	413T1013-289		DELETED		
R 201A	413T1013-307		.PANEL ASSY-HINGE	C,G	1
			(OPT ITEM 201C)		
R -201B	413T1013-387		.PANEL ASSY-HINGE	H	1
			(OPT ITEM 201D)		
R -201C	413T1136-53		.PANEL ASSY-HINGE	C,G	1
			(OPT ITEM 201A)		
R -201D	413T1136-55		.PANEL ASSY-HINGE	H	1
			(OPT ITEM 201B)		

25-28-14

FIG. & ITEM	PART NO.	AIRLINE PART NUMBER	NOMENCLATURE 1234567	EFF CODE	QTY PER ASSY
02-			DELETED		
R -204	413T1013-290		.PANEL ASSY-HINGE (OPT ITEM 204C)	J	1
R -204A	413T1013-308		.PANEL ASSY-HINGE (OPT ITEM 204D)	K	1
R -204B	413T1013-388		.PANEL ASSY-HINGE (OPT ITEM 204A)	J	1
R -204C	413T1136-54		.PANEL ASSY-HINGE (OPT ITEM 204B)	K	1
R -204D	413T1136-56		ATTACHING PARTS		
R 207	NAS623-3-7		.SCREW	C,G-K	5
R 210	AN960PD10L		.WASHER	C,G-K	5
			-----*		
R 213	413T1013-294		..TRIM-EDGE (USED ON ITEMS 201A, 201B, 204A, 204B)	C,G-K	1
R 216	413T1013-296		..TRIM-EDGE (USED ON ITEMS 201A, 201B, 204A, 204B)	C,G-K	1
R 219	413T1013-295		..TRIM-EDGE (USED ON ITEMS 201A, 201B, 204A, 204B)	C,G-K	1
R -220	413T1136-61		..TRIM-EDGE (USED ON ITEMS 201C, 201D, 204C, 204D)	C,G-K	AR
R 222	NAS1836-3-11		..INSERT- (USED ON ITEMS 201A, 201B, 204A, 204B)	C,G-K	2
R -222A	NAS1836-3-09		..INSERT- (USED ON ITEMS 201C, 201D, 204C, 204D)	C,G-K	2

25-28-14

FIG. & ITEM	PART NO.	AIRLINE PART NUMBER	NOMENCLATURE 1234567	EFF CODE	QTY PER ASSY
02-					
R 223	NAS1836-3-09		..INSERT	C,G-K	11
R 225	SL618-3A		..INSERT- (V97393)	C,G-K	12
R 228	NAS1834-3-400		..INSERT- (OPT ITEM 228A) (USED ON ITEMS 201A, 201B, 204A, 204B)	C,G-K	2
R -228A	NAS1834A3-400		..INSERT- (OPT ITEM 228) (USED ON ITEMS 201A, 201B, 204A, 204B)	C,G-K	2
R -228B	NAS1834A3-380		..INSERT- (USED ON ITEMS 201C, 201D, 204C, 204D)	C,G-K	2
R 229	NAS1836-3-11		..INSERT- (USED ON ITEM 201B)	H	3
R -229A	NAS1836-3-09		..INSERT- (USED ON ITEM 201D)	H	3
R 230	NAS1836-3-11		..INSERT- (USED ON ITEM 204B)	K	3
R -230A	NAS1836-3-09		..INSERT- (USED ON ITEM 204D)	K	3
R 231	NAS1801-3-5		..SCREW-	C,G-K	5
R 234	BACW10P183AL		..WASHER- (V10630) (SPEC BACW10P183AL)	C,G-K	5
	237	413T1014-5	DELETED		
R 237A	413T1014-6		..SUPPORT-HINGE PANEL	C,G-K	5
R 240	A11330-8-3		..NUT- (V72962) (SPEC BACN10FX21) (OPT BRC500-8-3 (V52828)) (OPT F49322-3-21 (V15653)) (OPT SL240-3-1 (V97393)) (OPT 130061 (V60119))	C,G-K	5

25-28-14

 ILLUSTRATED PARTS LIST
 01.1 Page 1084J
 Jan 01/91

FIG. & ITEM	PART NO.	AIRLINE PART NUMBER	NOMENCLATURE 1234567	EFF CODE	QTY PER ASSY
R 02-243	413T1017-11		.HINGE ASSY (PRE SB 25-78) (OPT ITEMS 243A,243B)	C,G-K	1
R -243A	413T1017-17		.HINGE ASSY (PRE SB 25-78) (OPT ITEMS 243,243B)	C,G-K	1
R -243B	413T1017-25		.HINGE ASSY (PRE SB 25-78) (OPT ITEMS 243,243A)	C,G-K	1
-243C	9994		.HINGE ASSY (POST SB 25-78) (V80477)	C,G-K	1
R 246	413T1017-12		.HINGE ASSY (PRE SB 25-78) (OPT ITEMS 246A,246B)	C,G-K	1
R -246A	413T1017-18		.HINGE ASSY (PRE SB 25-78) (OPT ITEMS 246,246B)	C,G-K	1
R -246B	413T1017-26		.HINGE ASSY (PRE SB 25-78) (OPT ITEMS 246,246A)	C,G-K	1
-246C	9994		.HINGE ASSY (POST SB 25-78) (V80477)	C,G-K	1
R 249	PSFW10F6DS05WH		ATTACHING PARTS .SCREW- (V12324) (OPT TO ITEM 249A)	C,G-K	12
R -249A	BACS12FA3C5		.SCREW- (OPT TO ITEM 249)	C,G-K	12
R 252	NAS1801-3-6		.SCREW	C,G-K	8
R 255	NAS620A10L		DELETED		
R 255A	BACW10P183AL		.WASHER- (V10630) (SPEC BACW10P183AL)	C,G-K	8
R 258	413T1017-13		-----*----- ..HINGE ASSY- (USED ON ITEM 243)	C,G-K	1
R -258A	413T1017-21		..HINGE ASSY- (USED ON ITEM 243A)	C,G-K	1
R -258B	413T1017-29		..HINGE ASSY- (USED ON ITEM 243B)	C,G-K	1

25-28-14

FIG. & ITEM	PART NO.	AIRLINE PART NUMBER	NOMENCLATURE 1234567	EFF CODE	QTY PER ASSY
R 02-261	413T1017-14		..HINGE ASSY- (USED ON ITEM 246)	C,G-K	1
R -261A	413T1017-22		..HINGE ASSY- (USED ON ITEM 246A)	C,G-K	1
R -261B	413T1017-30		..HINGE ASSY- (USED ON ITEM 246B)	C,G-K	1
R 264	413T1086-13		...HOUSING-CAM (OPT ITEM 264B) (USED ON ITEM 258)	C,G-K	1
R 264A	413T1086-19		...HOUSING ASSY-CAM (OPT ITEM 264B) (USED ON ITEM 258)	C,G-K	1
R -264B	413T1086-31		...HOUSING-CAM (OPT ITEMS 264, 264A) (USED ON ITEM 258)	C,G-K	1
R -265	413T1086-13		...HOUSING-CAM (OPT ITEM 265B) (USED ON ITEM 258B)	C,G-K	1
R -265A	413T1086-19		...HOUSING ASSY-CAM (USED ON ITEM 258A)	C,G-K	1
R -265B	413T1086-31		...HOUSING-CAM (OPT ITEM 265) (USED ON ITEM 258B)	C,G-K	1
-267	413T1086-14		...HOUSING-CAM (OPT ITEM 267B) (USED ON ITEM 261)	C,G-K	1
-267A	413T1086-20		...HOUSING ASSY-CAM (OPT ITEM 267B) (USED ON ITEM 261)	C,G-K	1
R -267B	413T1086-32		...HOUSING-CAM (OPT ITEMS 267, 267A) (USED ON ITEM 261)	C,G-K	1

25-28-14

 ILLUSTRATED PARTS LIST
 01.1 Page 1084L
 Jan 01/91

FIG. & ITEM	PART NO.	AIRLINE PART NUMBER	NOMENCLATURE 1234567	EFF CODE	QTY PER ASSY
R 02-268	413T1086-14		...HOUSING-CAM (OPT ITEM 268B) (USED ON ITEM 261B)	C,G-K	1
R -268A	413T1086-20		...HOUSING ASSY-CAM (USED ON ITEM 261A)	C,G-K	1
R -268B	413T1086-32		...HOUSING-CAM (OPT ITEM 268) (USED ON ITEM 261B)	C,G-K	1
R 270	BACB30LH3PU28		...BOLT- (V06710) (SPEC BACB30LH3PU28) (OPT BACB30LH3PU28 (V06725)) (OPT BACB30LH3PU28 (V06950)) (OPT BACB30LH3PU28 (V08524)) (OPT BACB30LH3PU28 (V17943)) (OPT BACB30LH3PU28 (V27624)) (OPT BACB30LH3PU28 (V80539)) (OPT BACB30LH3PU28 (V92215)) (OPT BACB30LH3PU28 (V97928))	C,G-K	1

25-28-14

ILLUSTRATED PARTS LIST
01.1 Page 1084M
Jan 01/91

FIG. & ITEM	PART NO.	AIRLINE PART NUMBER	NOMENCLATURE 1234567	EFF CODE	QTY PER ASSY
R 02-272	BACB30LH3PU22		...BOLT- (V06710) (SPEC BACB30LH3PU22) (OPT BACB30LH3PU22 (V06725)) (OPT BACB30LH3PU22 (V06950)) (OPT BACB30LH3PU22 (V08524)) (OPT BACB30LH3PU22 (V17943)) (OPT BACB30LH3PU22 (V27624)) (OPT BACB30LH3PU22 (V80539)) (OPT BACB30LH3PU22 (V92215)) (OPT BACB30LH3PU22 (V97928)) -----*	C,G-K	2
274	413T1086-21	DOUBLER- (USED ON ITEMS 264A, 267A, 265A, 268A)	C,G-K	1
276	413T1086-1	HOUSING- (USED ON ITEMS 264A, 265A)	C,G-K	1
-278	413T1086-2	HOUSING- (USED ON ITEMS 267A, 268A)	C,G-K	1
280	NAS43DD3-30		...SPACER	C,G-K	1
282	413T1086-7		...DOOR ATTACHING PARTS	C,G-K	1
285	5S1-6		...STUD- (V71286)	C,G-K	1
R 288	5S3-2		...WASHER- (V71286) -----*	C,G-K	1
291	413T1083-3		...SCREW- (USED ON ITEMS 258, 261)	C,G-K	1
R -291A	413T1083-10		...SCREW- (USED ON ITEMS 258A, 258B, 261A, 261B)	C,G-K	1
294	413T1083-2		...SCREW- (USED ON ITEMS 258, 261)	C,G-K	1

25-28-14

 ILLUSTRATED PARTS LIST
 01.1 Page 1084N
 Jan 01/91

FIG. & ITEM	PART NO.	AIRLINE PART NUMBER	NOMENCLATURE 1234567	EFF CODE	QTY PER ASSY
R 02- -294A	413T1083-9		...SCREW- (USED ON ITEMS 258A, 258B, 261A, 261B)	C,G-K	1
297	NAS1515M3L		...WASHER	C,G-K	2
300	413T1085-4		...ROLLER	C,G-K	2
303	413T1085-3		...ROLLER	C,G-K	1
306	413T1023-1		...ACTUATOR ASSY-HINGE (USED ON ITEM 258, 258A, 258B)	C,G-K	1
-309	413T1023-2		...ACTUATOR ASSY-HINGE (USED ON ITEMS 261, 261A, 261B)	C,G-K	1
312	MS21209F4-10	INSERT	C,G-K	1
315	NAS77A3-24N	BUSHING	C,G-K	1
318	NAS77A3-68N	BUSHING	C,G-K	1
321	413T1023-3	ACTUATOR- (USED ON ITEM 306)	C,G-K	1
R -324	413T1023-4	ACTUATOR- (USED ON ITEM 309)	C,G-K	1
327	413T1022-7		...FOLLOWER ASSY-CAM (USED ON ITEM 258)	C,G-K	1
R -327A	413T1022-7		...FOLLOWER ASSY-CAM (OPT ITEM 327B) (USED ON ITEM 258A)	C,G-K	1
R -327B	413T1022-11		...FOLLOWER ASSY-CAM (OPT ITEM 327A) (USED ON ITEM 258A)	C,G-K	1
R -327C	413T1022-7		...FOLLOWER ASSY-CAM (OPT ITEM 327E) (USED ON ITEM 258B)	C,G-K	1
R -327D	413T1022-11		...FOLLOWER ASSY-CAM (OPT ITEM 327E) (USED ON ITEM 258B)	C,G-K	1
R -327E	413T1022-19		...FOLLOWER ASSY-CAM (OPT ITEMS 327C, 327D) (USED ON ITEM 258B)	C,G-K	1

25-28-14

FIG. & ITEM	PART NO.	AIRLINE PART NUMBER	NOMENCLATURE 1234567	EFF CODE	QTY PER ASSY
02- -330	413T1022-8		...FOLLOWER ASSY-CAM (USED ON ITEM 261)	C,G-K	1
R -330A	413T1022-8		...FOLLOWER ASSY-CAM (OPT ITEM 330B) (USED ON ITEM 261A)	C,G-K	1
R -330B	413T1022-12		...FOLLOWER ASSY-CAM (OPT ITEM 330A) (USED ON ITEM 261A)	C,G-K	1
R -330C	413T1022-8		...FOLLOWER ASSY-CAM (OPT ITEM 330E) (USED ON ITEM 261B)	C,G-K	1
R -330D	413T1022-12		...FOLLOWER ASSY-CAM (OPT ITEM 330E) (USED ON ITEM 261B)	C,G-K	1
R -330E	413T1022-20		...FOLLOWER ASSY-CAM (OPT ITEM 330C, 330D) (USED ON ITEM 261B)	C,G-K	1
333	NAS76A3-009N	BUSHING	C,G-K	1
336	MS21209C0610	INSERT- (USED ON ITEMS 327, 327A, 327C, 330, 330A, 330C)	C,G-K	2
339	413T1022-9	FOLLOWER-CAM (USED ON ITEMS 327, 327A, 327C)	C,G-K	1
R -339A	413T1022-13	FOLLOWER-CAM (USED ON ITEMS 327B, 327D)	C,G-K	1
R -339B	413T1022-17	FOLLOWER- (USED ON ITEM 327E)	C,G-K	1

25-28-14

 ILLUSTRATED PARTS LIST
 01.1 Page 1084P
 Jan 01/91

FIG. & ITEM	PART NO.	AIRLINE PART NUMBER	NOMENCLATURE 1234567	EFF CODE	QTY PER ASSY
02- -342	413T1022-10	 FOLLOWER-CAM (USED ON ITEMS 330, 330A, 330C)	C,G-K	1
R -342A	413T1022-14	 FOLLOWER-CAM (USED ON ITEMS 330B, 330D)	C,G-K	1
R -342B	413T1022-18	 FOLLOWER- (USED ON ITEM 330E)	C,G-K	1
345	NAS601-3		... SCREW	C,G-K	2
348	MS35338-136		... WASHER	C,G-K	2
351	413T1083-5		... NUT	C,G-K	2
354	413T1087-1		... BRACKET	C,G-K	1
357	413T1020-1		... ARM ASSY-UPR (USED ON ITEMS 258, 261)	C,G-K	1
R -357A	413T1020-1		... ARM ASSY-UPR (OPT ITEM 357B) (USED ON ITEMS 258A, 258B, 261A, 261B)	C,G-K	1
R -357B	413T1020-4		... ARM ASSY-UPR (OPT ITEM 357A) (USED ON ITEMS 258A, 258B, 261A, 261B)	C,G-K	1
360	NAS77A3-15N	 BUSHING	C,G-K	2
363	MS21209C0615	 INSERT- (USED ON ITEMS 357, 357A)	C,G-K	1
366	413T1020-2	 ARM-UPR (USED ON ITEMS 357, 357A)	C,G-K	1
R -366A	413T1020-5	 ARM-UPR (USED ON ITEM 357B)	C,G-K	1
369	413T1083-6		... SCREW- (USED ON ITEMS 258, 261)	C,G-K	1
R -369A	413T1083-11		... SCREW- (USED ON ITEMS 258A, 258B, 261A, 261B)	C,G-K	1

25-28-14

ILLUSTRATED PARTS LIST
01.1 Page 1084Q
Jan 01/91

FIG. & ITEM	PART NO.	AIRLINE PART NUMBER	NOMENCLATURE 1234567	EFF CODE	QTY PER ASSY
02-					
372	NAS1515M3L		...WASHER	C,G-K	2
375	413T1084-1		...SHAFT	C,G-K	1
378	413T1021-1		...ARM ASSY-LWR	C,G-K	1
381	NAS77A3-15N	BUSHING	C,G-K	4
384	NAS76A3-007N	BUSHING	C,G-K	1
387	413T1021-2	ARM-LWR	C,G-K	1
390	413T1083-8		...SCREW	C,G-K	1
393	413T1086-9		...SUPPORT ASSY-SPR (USED ON ITEMS 258, 258A)	C,G-K	1
R -393A	413T1086-9		...SUPPORT ASSY-SPR (OPT ITEM 393B) (USED ON ITEM 258B)	C,G-K	1
R -393B	413T1086-35		...SUPPORT ASSY-SPR (OPT ITEM 393A) (USED ON ITEM 258B)	C,G-K	1
-396	413T1086-10		...SUPPORT ASSY-SPR (USED ON ITEMS 261, 261A)	C,G-K	1
R -396A	413T1086-10		...SUPPORT ASSY-SPR (OPT ITEM 396B) (USED ON ITEM 261B)	C,G-K	1
R -396B	413T1086-36		...SUPPORT ASSY-SPR (OPT ITEM 396A) (USED ON ITEM 261B)	C,G-K	1
400	UI19136-2B8	INSERT- (V07757) (OPT ITEM 400A)	C,G-K	1
-400A	6035-04BR0219	INSERT- (V01556) (OPT ITEM 400)	C,G-K	1
403	413T1086-11	SUPPORT-SPR (USED ON ITEMS 393, 393A)	C,G-K	1
R -403A	413T1086-37	SUPPORT- (USED ON ITEM 393B)	C,G-K	1
-406	413T1086-12	SUPPORT-SPR (USED ON ITEMS 396, 396A)	C,G-K	1
R -406A	413T1086-38	SUPPORT- (USED ON ITEM 396B)	C,G-K	1

25-28-14

FIG. & ITEM	PART NO.	AIRLINE PART NUMBER	NOMENCLATURE 1234567	EFF CODE	QTY PER ASSY
02-409	413T1086-23		...HOUSING ASSY-SPR (OPT ITEM 409A) (USED ON ITEMS 258, 258A, 258B)	C,G-K	1
-409A	413T1086-27		...HOUSING ASSY-SPR (OPT ITEM 409) (USED ON ITEMS 258, 258A, 258B)	C,G-K	1
-412	413T1086-24		...HOUSING ASSY-SPR (OPT ITEM 412A) (USED ON ITEMS 261, 261A, 261B)	C,G-K	1
-412A	413T1086-28		...HOUSING ASSY-SPR (OPT ITEM 412) (USED ON ITEMS 261, 261A, 261B)	C,G-K	1
415	UI19136-2B8	INSERT- (V07757) (OPT ITEM 415A)	C,G-K	1
-415A	6035-04BR0219	INSERT- (V01556) (OPT ITEM 415)	C,G-K	1
418	UI19136-6B8	INSERT- (V07757) (OPT ITEM 418A)	C,G-K	3
-418A	6041-3BR0375	INSERT- (V01556) (OPT ITEM 418)	C,G-K	3
421	413T1086-25	HOUSING-SPR (USED ON ITEM 409)	C,G-K	1

25-28-14

FIG. & ITEM	PART NO.	AIRLINE PART NUMBER	NOMENCLATURE 1234567	EFF CODE	QTY PER ASSY
02-					
-421A	413T1086-29	HOUSING-SPR (USED ON ITEM 409A)	C,G-K	1
-424	413T1086-26	HOUSING-SPR (USED ON ITEM 412)	C,G-K	1
-424A	413T1086-30	HOUSING-SPR (USED ON ITEM 412A)	C,G-K	1
427	413T1017-3		...RECEPTACLE ASSY ATTACHING PARTS	C,G-K	1
430	NAS1352C04LB4		...SCREW -----*	C,G-K	2
433	5R3-1	RECEPTACLE- (V71286)	C,G-K	1
436	F1313A		DELETED		
R 436A	F1313		..SPRING ASSY-GAS (V55787) (SPEC S413T301-2)	C,G-K	1
R 439	412T2014-1		.FITTING ASSY ATTACHING PARTS	C,G-K	1
R 442	NAS623-3-2		.SCREW	C,G-K	2
R 445	NAS623-3-3		.SCREW	C,G-K	1
R 448	NAS620A10L		.WASHER -----*	C,G-K	3
451	BACB28AR04A050A		DELETED		
451A	BCREFA0486		DELETED		
R 451B	BACB28X4M050		..BUSHING- (V23294) (SPEC BACB28X4M050) (OPT BACB28X4M050 (V70265)) (OPT BACB28X4M050 (V94892))	C,G-K	1

25-28-14

 **BOEING**
COMPONENT
MAINTENANCE MANUAL

FIG. & ITEM	PART NO.	AIRLINE PART NUMBER	NOMENCLATURE 1234567	EFF CODE	QTY PER ASSY
02-					
R 454	412T2014-2		..FITTING	C,G-K	1
R 457	412T1004-63SP		.RAIL ASSY	C,G,H	1
R -460	412T1004-64SP		.RAIL ASSY	J,K	1
			ATTACHING PARTS		
R 463	NAS6603-2		.BOLT	C,G-K	10
R 469	AN960PD10L		.WASHER	C,G-K	10
			-----*-----		
R 472	412T1004-65		..RAIL	C,G,H	1
R -476	412T1004-66		..RAIL	J,K	1
R 479	412T1004-67SP		..SURFACE-DECORATIVE	C,G-K	1
R 482	2055051		.RETAINER-	C,G-K	8
			(V04169)		
R 485	413T1081-21		.CHANNEL ASSY	C,G,H	1
R -488	413T1081-22		.CHANNEL ASSY	J,K	1
			ATTACHING PARTS		
R 491	NAS623-3-1		.SCREW	C,G-K	20
	494 NAS623-3-3		DELETED		
R 497	NAS623-3-2		.SCREW	C,G-K	1
R 500	NAS620A10L		.WASHER	C,G-K	21
			-----*-----		
R 502	AF5171-3-2		..RIVET-	C,G-K	24
			(V53551)		
			(SPEC BACR15DR3-2)		
			(OPT CCR264SS3-2		
			(V11815))		
			(OPT RV571A3-2		
			(V98996))		
R 503	BRF100A3		..NUTPLATE-	C,G-K	4
			(V52828)		
			(SPEC BACN10KB3F)		
			(OPT F2000-3		
			(V15653))		
			(OPT T8114S1032S		
			(V11815))		
			(OPT VN151A1-02		
			(V92215))		
			(OPT F2000-3		
			(V15653))		
			(OPT VN151A1-02		
			(V92215))		

25-28-14

FIG. & ITEM	PART NO.	AIRLINE PART NUMBER	NOMENCLATURE 1234567	EFF CODE	QTY PER ASSY
R 02-506	F5000-3BAC		..NUTPLATE- (V15653) (SPEC BACN10JR3F) (OPT NS103203-02 (V80539)) (OPT RMF9201-3 (V72962)) (OPT T8091S1032 (V11815)) (OPT VN152A1-02 (V92215)) (OPT BRF200A3 (V52828)) ATTACHING PARTS	C,G-K	8
R 509	BACR15BA3AD		DELETED		
R 512	413T1081-23		..CHANNEL	C,G,H	1
R -515	413T1081-24		..CHANNEL	J,K	1
R 518	412T1000-23SP		..RAIL AND BRACKET ASSY- PASS. SVCE UNIT/ SIDEWALL SPRT	C,G,H	1
R -521	412T1000-24SP		..RAIL AND BRACKET ASSY- PASS. SVCE UNIT/ SIDEWALL SPRT	J,K	1
R 524	NAS1801-3-6		..SCREW	C,G-K	6
R 527	NAS620A10L		..WASHER	C,G-K	6
			-----*-----		
R 530	412T1001-1		..CHANNEL ASSY	C,G,H	1
R -533	412T1001-2		..CHANNEL ASSY	J,K	1
			ATTACHING PARTS		
R 536	NAS6603-3		..BOLT	C,G-K	2
R 539	AN960PD10		..WASHER	C,G-K	2
R 542	BACR15FT5D		DELETED		

25-28-14

 ILLUSTRATED PARTS LIST
 01.1 Page 1084V
 Jan 01/91

BOEING
COMPONENT
MAINTENANCE MANUAL

FIG. & ITEM	PART NO.	AIRLINE PART NUMBER	NOMENCLATURE 1234567	EFF CODE	QTY PER ASSY
R	02-542A	NAS623-2-2	..SCREW	C,G-K	2
R	543	AN960PD8L	..WASHER	C,G-K	2
R	544	H10-08BAC	..NUT- (V15653) (SPEC BACN10JC08) (OPT NS202101-82 (V80539)) (OPT RMLH9075-82W (V72962)) (OPT T6S832J (V71087)) (OPT VN303A82 (V92215)) (OPT 96-82 (V80539)) (OPT BRH10A08 (V52828)) (OPT T6S832J (V11815)) -----*	C,G-K	2
R	545	BRM100A3	...NUTPLATE- (V52828) (SPEC BACN10JP3B) (OPT MK2000-3BAC (V15653)) (OPT NS103198-02 (V80539)) (OPT RMA9207-3 (V72962)) (OPT T8077S1032 (V11815)) (OPT VN201A1-02 (V92215)) ATTACHING PARTS	C,G-K	2
R	548	BACR15BA3AD	...RIVET- (SIZE DETERMINE ON INST) -----*	C,G-K	4
R	551	412T1001-7	...CHANNEL	C,G,H	1
R	-554	412T1001-8	...CHANNEL	J,K	1
R	557	412T1003-2	..BRACKET ASSY	C,G,H	3
R	-560	412T1003-1	..BRACKET ASSY ATTACHING PARTS	J,K	3
R	563	NAS6603-3	..BOLT	C,G-K	6
R	566	AN960PD10	..WASHER -----*	C,G-K	6

25-28-14

FIG. & ITEM	PART NO.	AIRLINE PART NUMBER	NOMENCLATURE 1234567	EFF CODE	QTY PER ASSY
R 02-569	BRM300A3		...NUTPLATE- (V52828) (SPEC BACN10JP3C) (OPT MK3000-3BAC (V15653)) (OPT NS103199-02 (V80539)) (OPT T8078S1032 (V71087)) (OPT T8078S1032 (V11815)) (OPT VN203A1-02 (V92215)) ATTACHING PARTS	C,G-K	2
R 572	BACR15BA3AD		...RIVET- (SIZE DETERMINE ON INST) -----*-----	C,G-K	4
R 575	412T1003-4		...BRACKET	C,G,H	1
R -578	412T1003-3		...BRACKET	J,K	1
R 581	2055144		..RETAINER- (V04169)	C,G-K	6
R 584	412T1002-65SP		..RAIL ASSY	C,G,H	1
R -587	412T1002-66SP		..RAIL ASSY	J,K	1
R 590	WS1-332A8		...NUTPLATE- (V04169) (SPEC BACN10GH3A8)	C,G-K	3
R 593	BACR15BB4AD		...RIVET- (SIZE DETERMINE ON INST)	C,G-K	6
R 597	NAS1801-3-12		...SCREW	C,G-K	4
R 600	MS35338-43		...WASHER	C,G-K	4
R 603	AN960D10L		...WASHER	C,G-K	8
R 606	MS35650-305S		...NUT	C,G-K	4
R 609	412T1002-67		...RAIL	C,G,H	1
R -609A	412T1002-68		...RAIL	J,K	1
R 612	412T1002-69		...SURFACE-DECORATIVE	C,G-K	1
R 615	412T3109-23		DELETED		
R 615A	412T3109-33		.FITTING ASSY	C,G,H	1
R -618	412T3109-24		DELETED		
R -618A	412T3109-34		.FITTING ASSY	J,K	1

25-28-14

 **BOEING**
COMPONENT
MAINTENANCE MANUAL

FIG. & ITEM	PART NO.	AIRLINE PART NUMBER	NOMENCLATURE 1234567	EFF CODE	QTY PER ASSY
R 02- 620	BACB30LU3-9		ATTACHING PARTS .BOLT- (V06710) (SPEC BACB30LU3-9) (OPT BACB30LU3-9 (V06725)) (OPT BACB30LU3-9 (V06950)) (OPT BACB30LU3-9 (V17943)) (OPT BACB30LU3-9 (V27624)) (OPT BACB30LU3-9 (V56878)) (OPT BACB30LU3-9 (V80539)) (OPT BACB30LU3-9 (V85495)) (OPT BACB30LU3-9 (V92215)) (OPT BACB30LU3-9 (V97928))	C,G-K	2
R 621	NAS623-3-1		.SCREW	C,G-K	11
R 623	AN960KD10L		DELETED		
R 623A	AN960PD10L		.WASHER	C,G-K	2
R 624	NAS620A10L		.WASHER	C,G-K	11
R 625	H10-3BAC		.NUT- (V15653) (SPEC BACN10JC3) (OPT NS202101-02 (V80539)) (OPT RMLH9075-3W (V72962)) (OPT T6S1032J (V71087)) (OPT VN303A02 (V92215)) (OPT 96-02 (V80539)) (OPT BRH10A3 (V52828)) -----*	C,G-K	2

25-28-14

ILLUSTRATED PARTS LIST
01.1 Page 1084Y
Jan 01/91

FIG. & ITEM	PART NO.	AIRLINE PART NUMBER	NOMENCLATURE 1234567	EFF CODE	QTY PER ASSY
R 02-627	BACB28X4C035		..BUSHING- (V23294) (SPEC BACB28X4C035) (OPT BACB28X4C035 (V70265)) (OPT BACB28X4C035 (V94892))	C,G-K	1
R 630	412T3109-28		..DOUBLER	C,G-K	1
R 633	412T3109-25		DELETED		
R 633A	412T3109-35		..FITTING	C,G,H	1
R -636	412T3109-26		DELETED		
R -636A	412T3109-36		..FITTING	J,K	1
R 637	412T2046-5		.DOUBLER	C,G-K	1
R 639	412T3109-29		.FITTING ASSY	C,G,H	1
R -642	412T3109-30		.FITTING ASSY ATTACHING PARTS	J,K	1
R 646	NAS623-3-1		.SCREW	C,G-K	4
R 647	NAS623-3-2		.SCREW	C,G-K	2
R 649	NAS620A10L		.WASHER	C,G-K	6
			-----*-----		
R 652	BACB28X4C005		..BUSHING- (V23294) (SPEC BACB28X4C005) (OPT BACB28X4C005 (V70265)) (OPT BACB28X4C005 (V94892))	C,G-K	1
R 655	412T3109-31		..FITTING	C,G,H	1
R -658	412T3109-32		..FITTING	J,K	1
R 661	412T2045-1		.FITTING	C,G,H	1
R -664	412T2045-2		.FITTING	J,K	1

25-28-14

 ILLUSTRATED PARTS LIST
 01.1 Page 1084Z
 Jan 01/91

FIG. & ITEM	PART NO.	AIRLINE PART NUMBER	NOMENCLATURE 1234567	EFF CODE	QTY PER ASSY
R 02- 667	BACB30LU3-11		ATTACHING PARTS .BOLT- (V06710) (SPEC BACB30LU3-11) (OPT BACB30LU3-11 (V06725)) (OPT BACB30LU3-11 (V06950)) (OPT BACB30LU3-11 (V17943)) (OPT BACB30LU3-11 (V27624)) (OPT BACB30LU3-11 (V56878)) (OPT BACB30LU3-11 (V80539)) (OPT BACB30LU3-11 (V85495)) (OPT BACB30LU3-11 (V92215)) (OPT BACB30LU3-11 (V97928))	C,G-K	4
R 668	BACB30LU3-9		.BOLT- (V06710) (SPEC BACB30LU3-9) (OPT BACB30LU3-9 (V06725)) (OPT BACB30LU3-9 (V06950)) (OPT BACB30LU3-9 (V17943)) (OPT BACB30LU3-9 (V27624)) (OPT BACB30LU3-9 (V56878)) (OPT BACB30LU3-9 (V80539)) (OPT BACB30LU3-9 (V85495)) (OPT BACB30LU3-9 (V92215)) (OPT BACB30LU3-9 (V97928))	C,G-K	3

25-28-14

FIG. & ITEM	PART NO.	AIRLINE PART NUMBER	NOMENCLATURE 1234567	EFF CODE	QTY PER ASSY
R 02-670	AN960PD10L		.WASHER	C,G-K	6
R 673	AN960PD10		.WASHER	C,G-K	1
R 676	H10-3BAC		.NUT- (V15653) (SPEC BACN10JC3) (OPT NS202101-02 (V80539)) (OPT RMLH9075-3W (V72962)) (OPT T6S1032J (V71087)) (OPT VN303A02 (V92215)) (OPT 96-02 (V80539)) (OPT BRH10A3 (V52828))	C,G-K	7
R 679	NAS514P1032-4		.SCREW	C,G-K	2
R 682	NAS514P1032-5		.SCREW -----*-----	C,G-K	1
R 685	NAS514P1032-6		.SCREW	C,G-K	1
R 688	412T2046-1		.DOUBLER	C,G,H	1
R -691	412T2046-2		.DOUBLER	J,K	1
R 693	1281-5		.TIE ASSY-TNSN (V34742) (OPT ITEM 693A)	C,G,H	1
R -693A	412T2010-4		.TIE ASSY-TNSN (OPT ITEM 693)	C,G,H	1
R -693B	1281-1		.TIE ASSY-TNSN (V34742) (OPT ITEM 693C)	J,K	1
R -693C	412T2010-1		.TIE ASSY-TNSN (OPT ITEM 693B)	J,K	1
			ATTACHING PARTS		

25-28-14

 ILLUSTRATED PARTS LIST
 01.1 Page 1086
 Jan 01/91

 **BOEING**
COMPONENT
MAINTENANCE MANUAL

FIG. & ITEM	PART NO.	AIRLINE PART NUMBER	NOMENCLATURE 1234567	EFF CODE	QTY PER ASSY
R 02-696 696A	BACB30FN10A25 HL19PB10-25		DELETED .BOLT- (V56878) (SPEC BACB30FN10-25) (OPT HL19PB10-25 (V73197)) (OPT HL19PB10-25 (V92215)) (OPT HL19PB10-25 (V97928)) (OPT 62547-10-25 (V56878)) (OPT HL19PB10-25 (V80539)) (OPT WC2510-25 (V60516)) (OPT HL19PB10-25 (V60516)) (OPT HL19PB10-25 (V08524))	C,G-K	1
R 699	AN960C516L		.WASHER	C,G-K	1
R 702	H01-5BAC		.NUT- (V15653) (SPEC BACN10JC5CM) (OPT T6C524JM (V11815)) (OPT 109LH9075-5W (V72962)) (OPT 97E054 (V80539))	C,G-K	1
			*-----		
R 705 708	BACB28Z5-025 412T2010-5		DELETED ..TUBE- (USED ON ITEM 693A)	C,G,H	1
R -708A	412T2010-2		..TUBE- (USED ON ITEM 693C)	J,K	1
R 711	412T2010-6		..PAD- (USED ON ITEM 693A)	C,G,H	1
R -711A	412T2010-3		..PAD- (USED ON ITEM 693C)	J,K	1
R 715	412T2011-1		..FITTING ASSY- (USED ON ITEMS 693A, 693C)	C,G-K	1

25-28-14

FIG. & ITEM	PART NO.	AIRLINE PART NUMBER	NOMENCLATURE 1234567	EFF CODE	QTY PER ASSY
	02-				
R 718	SALPYT6-16		ATTACHING PARTS ..BOLT- (V11815) (SPEC BACB30GW6-16) (OPT SALPYT6-16 (V29666)) (OPT SALPYT6-16 (V17446))	C,G-K	2
R 721	2DCC6		..COLLAR- (V11815) (SPEC BACC30K6) (OPT 2DCC6 (V17446)) -----*	C,G-K	2
R 724	HU4-134		...BEARING- (V02758) (SPEC BACB10AB4) (OPT ABW4V5 (V50294)) (OPT AB4VCRG (V15860)) (OPT BSSR4804 (V81376)) (OPT KWB4-20CRG (V97613)) (OPT WG4E (V73134)) (OPT 55282 (V09455)) (OPT WC4G1 (V56644))	C,G-K	1
R 727	412T2011-2		...FITTING	C,G-K	1
R 730	10-60779-112L		..BEARING-ROD END (USED ON ITEMS 693A, 693C)	C,G-K	1
R 733	412T2012-2		..NUT- (USED ON ITEMS 693A, 693C)	C,G-K	1
R 736	412T2012-1		..SLEEVE- (USED ON ITEMS 693A, 693C)	C,G-K	1
R 739	AN316-6L		..NUT- (USED ON ITEMS 693A, 693C)	C,G-K	1

25-28-14

 ILLUSTRATED PARTS LIST
 01.1 Page 1086B
 Jan 01/91

FIG. & ITEM	PART NO.	AIRLINE PART NUMBER	NOMENCLATURE 1234567	EFF CODE	QTY PER ASSY
R 02-740	BACB28Z5-025		.BUSHING- (V23294) (SPEC BACB28Z5-025) (OPT BACB28Z5-025 (V70265)) (OPT BACB28Z5-025 (V94892))	C,G-K	2
R 742 742A	NAS623-3-1 BACB30LU3-9		DELETED .BOLT- (V06710) (SPEC BACB30LU3-9) (OPT BACB30LU3-9 (V06725)) (OPT BACB30LU3-9 (V06950)) (OPT BACB30LU3-9 (V17943)) (OPT BACB30LU3-9 (V27624)) (OPT BACB30LU3-9 (V56878)) (OPT BACB30LU3-9 (V80539)) (OPT BACB30LU3-9 (V85495)) (OPT BACB30LU3-9 (V92215)) (OPT BACB30LU3-9 (V97928))	C,G-K	2

25-28-14

FIG. & ITEM	PART NO.	AIRLINE PART NUMBER	NOMENCLATURE 1234567	EFF CODE	QTY PER ASSY
	02-				
	745	NAS620A10L	DELETED		
	745A	AN960KD10L	DELETED		
R	745B	AN960PD10L	.WASHER	C,G-K	2
R	746	H10-3BAC	.NUT-	C,G-K	2
			(V15653)		
			(SPEC BACN10JC3)		
			(OPT NS202101-02		
			(V80539))		
			(OPT RMLH9075-3W		
			(V72962))		
			(OPT T6S1032J		
			(V71087))		
			(OPT VN303A02		
			(V92215))		
			(OPT 96-02		
			(V80539))		
			(OPT BRH10A3		
			(V52828))		
R	747	412T2046-6	.DOUBLER	C,G-K	1
R	748	BACR15FT5D	.RIVET-	C,G-K	7
			(SIZE DETERMINE ON INST)		
R	752	NAS623-3-1	.SCREW	C,G-K	7
R	755	NAS620A10L	.WASHER	C,G-K	7
R	758	NAS623-3-9	.SCREW	C,G-K	1
R	762	NAS620A10L	.WASHER	C,G-K	2
R	765	H10-3BAC	.NUT-	C,G-K	1
			(V15653)		
			(SPEC BACN10JC3)		
			(OPT NS202101-02		
			(V80539))		
			(OPT RMLH9075-3W		
			(V72962))		
			(OPT T6S1032J		
			(V71087))		
			(OPT VN303A02		
			(V92215))		
			(OPT 96-02		
			(V80539))		
			(OPT BRH10A3		
			(V52828))		

25-28-14

 ILLUSTRATED PARTS LIST
 01.1 Page 1086D
 Jan 01/91

FIG. & ITEM	PART NO.	AIRLINE PART NUMBER	NOMENCLATURE 1234567	EFF CODE	QTY PER ASSY
02-					
	768	413T1126-1	. SHROUD	C	1
	-772	413T1126-2	DELETED		
R	774	413T1126-15	. SHROUD ASSY-END	G,H	1
	775	413T1126-11	DELETED		
R	-776	413T1126-16	. SHROUD ASSY-END	J,K	1
	-778	413T1126-12	DELETED		
R	779	SL6164-08-4	.. STUD- (V97393)	G-K	2
R	781	413T1126-17	.. SHROUD	G,H	1
R	-781A	413T1126-18	.. SHROUD	J,K	1
	782	BACR15FT5D	DELETED		
R	785	NAS623-3-9	. SCREW	C,G-K	2
R	788	NAS623-3-1	. SCREW	C,G-K	3
R	792	NAS620A10L	. WASHER	C,G-K	6
R	795	H10-3BAC	. NUT- (V15653) (SPEC BACN10JC3) (OPT NS202101-02 (V80539)) (OPT RMLH9075-3W (V72962)) (OPT T6S1032J (V71087)) (OPT VN303A02 (V92215)) (OPT 96-02 (V80539)) (OPT BRH10A3 (V52828))	C,G-K	2
R	798	BACR15FT5D	. RIVET- (SIZE DETERMINE ON INST)	C,G-K	8
R	802	413T1126-5	. CLIP	C,G-K	1
R	803	413T1126-11	. CLIP	C,G,H	1
R	-804	413T1126-12	. CLIP	J,K	1

25-28-14

ILLUSTRATED PARTS LIST
01.1 Page 1086E
Jan 01/91

FIG. & ITEM	PART NO.	AIRLINE PART NUMBER	NOMENCLATURE 1234567	EFF CODE	QTY PER ASSY
	02-				
R	805	413T1126-3	.BRACKET	C,G,H	1
R	-806	413T1126-4	.BRACKET	J,K	1
R	808	BACR15FT5D	.RIVET- (SIZE DETERMINE ON INST)	C,G-K	2
R	811	NAS1801-3-5	.SCREW	C,G-K	1
	814	AN96OKD10	DELETED		
R	814A	AN96OPD10	.WASHER	C,G-K	1
R	817	413T1126-7	.BRACKET ASSY	C,G,H	1
R	-820	413T1126-8	.BRACKET ASSY	J,K	1
R	823	BACF3F006G006NN	..FILLER	C,G-K	1
R	825	413T1126-6	..BRACKET	C,G-K	1
R	828	NAS623-3-1	.SCREW	C,G-K	3
R	830	NAS620A10L	.WASHER	C,G-K	3
R	833	413T1126-13	.DOUBLER	C,G,H	1
R	-836	413T1126-14	.DOUBLER	J,K	1
R	839	413T1126-9	.DOUBLER	C,G,H	1
R	-842	413T1126-10	.DOUBLER	J,K	1
R	845	413T1127-1	.STOP ASSY-DOOR	C,G-K	1
	848	413T1013-261	DELETED		
	-848A	413T1013-349	DELETED		
	-848B	413T1013-377	DELETED		
R	848C	413T1013-427	.SHELL ASSY	C	1
R	-848D	413T1013-431	.SHELL ASSY	G	1
R	-848E	413T1013-435	.SHELL ASSY	H	1
	-849	413T1013-262	DELETED		
	-849A	413T1013-350	DELETED		
	-849B	413T1013-378	DELETED		
R	-849C	413T1013-432	.SHELL ASSY	J	1
R	-849D	413T1013-436	.SHELL ASSY	K	1
R	851	413T1013-279	..PANEL ASSY-INBD	C,G,H	1
R	-852	413T1013-280	..PANEL ASSY-INBD	J,K	1
R	854	NAS1836-3-07	...INSERT	C,G-K	4
R	857	413T1013-275	..PANEL ASSY-INBD	C,G,H	1
R	-858	413T1013-276	..PANEL ASSY-INBD	J,K	1
R	860	NAS1836-3-7	...INSERT	C,G-K	6
R	863	413T1013-271	..PANEL ASSY-AFT	C	1
R	-863A	413T1013-359	..PANEL ASSY-AFT	G,H	1
	-864	413T1013-272	DELETED		
R	-864A	413T1013-360	..PANEL ASSY-AFT	J,K	1
R	866	NAS1834A3-400	...INSERT- (OPT ITEM 866A)	C,G-K	11
R	-866A	NAS1834-3-400	...INSERT- (OPT ITEM 866)	C,G-K	11
R	869	NAS1836-3-11	...INSERT	C,G-K	12

25-28-14

FIG. & ITEM	PART NO.	AIRLINE PART NUMBER	NOMENCLATURE 1234567	EFF CODE	QTY PER ASSY
R 02-					
R 870	NAS1834-3K400		...INSERT	G-K	6
R 872	413T1013-267		..PANEL ASSY-FWD	C	1
R -872A	413T1013-363		..PANEL ASSY-FWD	G,H	1
-873	413T1013-268		DELETED		
R -873A	413T1013-364		..PANEL ASSY-FWD	J,K	1
R 875	NAS1836-3-11		...INSERT	C,G-K	25
R 876	NAS1836-3-11		...INSERT	G-K	2
R 878	NAS1834A4-400		...INSERT- (OPT ITEM 878A)	C,G-K	7
R -878A	NAS1834-4-400		...INSERT- (OPT ITEM 878)	C,G-K	7
881	413T1013-263		DELETED		
-881A	413T1013-365		DELETED		
-881B	413T1013-383		DELETED		
R 881C	413T1013-429		..PANEL ASSY-SHELL	C	1
R -881D	413T1013-433		..PANEL ASSY-SHELL	G	1
R -881E	413T1013-437		..PANEL ASSY-SHELL	H	1
-882	413T1013-264		DELETED		
-882A	413T1013-366		DELETED		
-882B	413T1013-384		DELETED		
R -882C	413T1013-434		..PANEL ASSY-SHELL	J	1
R -882D	413T1013-438		..PANEL ASSY-SHELL	K	1
R 884	NAS1836-3-11		...INSERT	C,G-K	77
R 885	NAS1836-3-11		...INSERT	G-K	5
R 886	NAS1836-3-11		...INSERT	H	4
R 886G	NAS1836-3-11		...INSERT	K	4
R 887	NAS1836-08-11		...INSERT	C,G-K	2
R 890	NAS1834A4-400		...INSERT- (OPT ITEM 890A)	C,G-K	5
R -890A	NAS1834-4-400		...INSERT- (OPT ITEM 890)	C,G-K	5

25-28-14

FIG. & ITEM	PART NO.	AIRLINE PART NUMBER	NOMENCLATURE 1234567	EFF CODE	QTY PER ASSY
R 02-893	NAS1834A3-400		...INSERT- (OPT ITEM 893A)	C,G-K	14
R -893A	NAS1834-3-400		...INSERT- (OPT ITEM 893)	C,G-K	14
R 896	NAS1834C5-400		...INSERT	C,G-K	1
R 899	NAS1833-3-400		...INSERT	C,G-K	2
R 902	SL618-3A		...INSERT- (V97393)	C,G-K	8
R 903	SL618-3A		...INSERT- (V97393)	H	10
R 903G	SL618-3A		...INSERT- (V97393)	K	8
R 905	413T1002-18		DELETED		
R 908	BAC27TPPS0247		.DECAL-DOOR MUST BE LATCHED CLOSED LOAD LIMIT 80 LB/36 KG	C,G,J	1
R 911	BAC29PPS0554		.DECAL-DOOR MUST BE LATCHED CLOSED LOAD LIMIT 54 LB/24 KG	H	1
R -911A	BAC27TPPS0249		.PLACARD-DOOR MUST BE LATCHED CLOSED LOAD LIMIT 43 LB/19 KG	K	1
R 914	BAC29PPS0557		.PLACARD-DOOR MUST BE LATCHED CLOSED LOAD LIMIT 25 LB/11 KG	H	1
R -914A	BAC29PPS0555		.PLACARD-DOOR MUST BE LATCHED CLOSED LOAD LIMIT 37 LB/16 KG	K	1
R 917	BAC29PPS0558		.PLACARD-EMERGENCY EQUIPMENT ONLY	H,K	1
R 920	413T1126-19		.BRACKET ASSY	G,H	1
R -923	413T1126-20		.BRACKET ASSY ATTACHING PARTS	J,K	1

25-28-14

 ILLUSTRATED PARTS LIST
 01.1 Page 1086H
 Jan 01/91

FIG. & ITEM	PART NO.	AIRLINE PART NUMBER	NOMENCLATURE 1234567	EFF CODE	QTY PER ASSY
02-					
R 926	NAS623-3-1		. SCREW	G-K	2
R 929	NAS620A10L		. WASHER -----*-----	G-K	2
R 932	SL6164-08-4		.. STUD- (V97393)	G-K	2
R 935	413T1126-21		.. BRACKET	G,H	1
R -938	413T1126-22		.. BRACKET	J,K	1
R 941	NAS623-3-1		. SCREW	H,K	14
R 944	NAS620A10L		. WASHER	H,K	14
R 947	413T1098-1		. BRACKET	H,K	7
R 950	413T1012-15		. PANEL ASSY-DIVIDER	H	1
R -953	413T1012-16		. PANEL ASSY-DIVIDER	K	1
R 956	413T1012-5		DELETED		
R 959	NAS1836-3-09		.. INSERT	H,K	7

25-28-14

FIG. & ITEM	PART NO.	AIRLINE PART NUMBER	NOMENCLATURE 1234567	EFF CODE	QTY PER ASSY
03-					
-1	413T1002-229SP		DELETED		
-5	413T1002-230SP		DELETED		
8	412T3108-3		DELETED		
-11	412T3108-4		DELETED		
			ATTACHING PARTS		
14	NAS623-3-1		DELETED		
17	NAS620A10L		DELETED		
20	NAS6603-9		DELETED		
23	AN960PD10L		DELETED		
26	H10-3BAC		DELETED		
29	BACB28AR06A024A		DELETED		
29A	BACB28X6M024		DELETED		
32	412T3108-17		DELETED		
35	412T3108-9		DELETED		
-38	412T3108-10		DELETED		
41	NAS623-3-1		DELETED		
44	NAS620A10L		DELETED		
47	412T2013-2		DELETED		
50	412T3108-5		DELETED		
-53	412T3108-6		DELETED		
56	NAS623-3-1		DELETED		
59	NAS620A10L		DELETED		
62	BACB30LU3-9		DELETED		
65	AN960PD10L		DELETED		
68	H10-3BAC		DELETED		
71	BACB28X4C009		DELETED		
74	BACB28X4C024		DELETED		
77	412T3108-11		DELETED		
-80	412T3108-12		DELETED		
83	413T1007-111SP		DELETED		

25-28-14

 ILLUSTRATED PARTS LIST
 01.1 Page 1086J
 Jan 01/91

FIG. & ITEM	PART NO.	AIRLINE PART NUMBER	NOMENCLATURE 1234567	EFF CODE	QTY PER ASSY
03-					
-86	413T1007-112SP		DELETED		
89	413T1028-4		DELETED		
92	NAS623-3-1W		DELETED		
95	AN960PD10L		DELETED		
98	413T1028-2		DELETED		
101	413T1093-3		DELETED		
104	MS20253-2-083		DELETED		
107	NAS514P1032-6		DELETED		
110	413T1010-1		DELETED		
113	413T1118-4		DELETED		
116	413T1118-3		DELETED		
119	413T1007-10SP		DELETED		
122	SL618-3A		DELETED		
125	NAS1836-3-11		DELETED		
128	413T1024-2		DELETED		
131	NAS514P1032-5		DELETED		
134	MS16624-5012		DELETED		
137	413T1090-3		DELETED		
140	413T1093-2		DELETED		
143	413T1090-1		DELETED		
146	413T1091-1		DELETED		
149	H10-08BAC		DELETED		
152	AN960C8		DELETED		
155	MS24585C93		DELETED		
158	413T1092-2		DELETED		
161	413T1030-4		DELETED		
-161A	413T1030-3		DELETED		
164	NAS623-3-1		DELETED		
167	NAS620A10L		DELETED		
170	413T1014-1		DELETED		
-173	413T1014-2		DELETED		
176	NAS514P1032-5		DELETED		
179	413T1014-17		DELETED		
-182	413T1014-18		DELETED		
185	NAS603-4P		DELETED		
188	NAS620A10L		DELETED		
191	413T1014-3		DELETED		
194	413T1136-83		DELETED		
-197	413T1136-84		DELETED		
200	413T1136-61		DELETED		
203	NAS1836-3-09		DELETED		
206	SL618-3A		DELETED		
209	NAS1801-3-5		DELETED		
212	BACW10P183AL		DELETED		
215	413T1014-5		DELETED		

25-28-14

FIG. & ITEM	PART NO.	AIRLINE PART NUMBER	NOMENCLATURE 1234567	EFF CODE	QTY PER ASSY
03-					
218	A11330-8-3		DELETED		
221	413T1017-23		DELETED		
224	413T1017-24		DELETED		
227	PSFW10F6DS05WH		DELETED		
230	NAS1801-3-6		DELETED		
233	NAS620A10L		DELETED		
236	413T1017-27		DELETED		
-239	413T1017-28		DELETED		
242	BACB30LH3PU28		DELETED		
245	BACB30LH3PU22		DELETED		
248	413T1086-13		DELETED		
-248A	413T1086-31		DELETED		
-251	413T1086-14		DELETED		
-251A	413T1086-32		DELETED		
254	NAS43DD3-30		DELETED		
257	413T1086-7		DELETED		
260	5S1-6		DELETED		
263	5S3-2		DELETED		
266	413T1083-10		DELETED		
269	413T1083-9		DELETED		
272	NAS1515M3L		DELETED		
275	413T1085-4		DELETED		
278	413T1085-3		DELETED		
281	413T1023-1		DELETED		
-284	413T1023-2		DELETED		
287	MS21209F4-10		DELETED		
290	NAS77A3-24N		DELETED		
293	NAS77A3-68N		DELETED		
296	413T1023-3		DELETED		
-299	413T1023-4		DELETED		
302	413T1022-7		DELETED		
-302A	413T1022-11		DELETED		
-302B	413T1022-19		DELETED		
-305	413T1022-8		DELETED		
-305A	413T1022-12		DELETED		
-305B	413T1022-20		DELETED		
308	NAS76A3-009N		DELETED		
311	MS21209C0610		DELETED		
314	413T1022-9		DELETED		
-314A	413T1022-13		DELETED		
-314B	413T1022-17		DELETED		
-317	413T1022-10		DELETED		
-317A	413T1022-14		DELETED		
-317B	413T1022-18		DELETED		
320	NAS601-3		DELETED		

25-28-14

 ILLUSTRATED PARTS LIST
 01.1 Page 1086L
 Jan 01/91

FIG. & ITEM	PART NO.	AIRLINE PART NUMBER	NOMENCLATURE 1234567	EFF CODE	QTY PER ASSY
03-					
323	MS35338-136		DELETED		
326	413T1083-5		DELETED		
329	413T1087-1		DELETED		
332	413T1020-1		DELETED		
-335	413T1020-4		DELETED		
338	NAS77A3-15N		DELETED		
341	MS21209C0615		DELETED		
344	413T1020-2		DELETED		
-347	413T1020-5		DELETED		
350	413T1083-11		DELETED		
353	AN960C10L		DELETED		
356	413T1084-1		DELETED		
359	413T1021-1		DELETED		
362	NAS77A3-15N		DELETED		
365	NAS76A3-007N		DELETED		
368	413T1021-2		DELETED		
371	413T1038-8		DELETED		
371A	413T1083-8		DELETED		
374	413T1086-35		DELETED		
-374A	413T1086-9		DELETED		
-377	413T1086-10		DELETED		
-377A	413T1086-36		DELETED		
380	UI19136-2B8		DELETED		
-380A	6035-04BR0219		DELETED		
383	413T1086-37		DELETED		
-383A	413T1086-11		DELETED		
-386	413T1086-12		DELETED		
-386A	413T1086-38		DELETED		
389	413T1086-15		DELETED		
-389A	413T1086-3		DELETED		

25-28-14

FIG. & ITEM	PART NO.	AIRLINE PART NUMBER	NOMENCLATURE 1234567	EFF CODE	QTY PER ASSY
03-					
-392	413T1086-16		DELETED		
-392A	413T1086-4		DELETED		
395	UI19136-2B8		DELETED		
-395A	6035-04BR0219		DELETED		
398	UI19136-6B8		DELETED		
-398A	6041-3BR0375		DELETED		
401	413T1086-17		DELETED		
-401A	413T1086-5		DELETED		
-404	413T1086-18		DELETED		
-404A	413T1086-6		DELETED		
407	413T1017-3		DELETED		
410	NAS1352C04LB4		DELETED		
413	5R3-1		DELETED		
416	F1313		DELETED		
419	412T2014-1		DELETED		
422	NAS623-3-2		DELETED		
425	NAS620A10L		DELETED		
428	BACB28AR04A050A		DELETED		
428A	BCREFA0486		DELETED		
431	412T2014-2		DELETED		
434	412T1004-117SP		DELETED		
-437	412T1004-118SP		DELETED		
440	NAS6603-2		DELETED		
443	AN960PD10L		DELETED		
446	412T1004-119		DELETED		
-449	412T1004-120		DELETED		
452	412T1004-20		DELETED		
455	2055051		DELETED		
458	413T1081-37		DELETED		
-461	413T1081-38		DELETED		

25-28-14

 ILLUSTRATED PARTS LIST
 01.1 Page 1086N
 Jan 01/91

FIG. & ITEM	PART NO.	AIRLINE PART NUMBER	NOMENCLATURE 1234567	EFF CODE	QTY PER ASSY
03-					
464	NAS623-3-1		DELETED		
467	NAS623-3-3		DELETED		
470	NAS620A10L		DELETED		
472	AF5171-3-2		DELETED		
473	BRF100A3		DELETED		
476	F5000-3BAC		DELETED		
479	BACR15BA3AD		DELETED		
482	413T1081-39		DELETED		
-485	413T1081-40		DELETED		
490	412T1000-49SP		DELETED		
-493	412T1000-50SP		DELETED		
496	NAS1801-3-5		DELETED		
499	NAS620A10L		DELETED		
502	412T1001-13		DELETED		
-505	412T1001-14		DELETED		
508	NAS6603-3		DELETED		
511	AN960PD10		DELETED		
514	NAS623-2-2		DELETED		
517	AN960PD8L		DELETED		
520	H10-08BAC		DELETED		
523	BACR15BA3AD		DELETED		
526	BRM100A3		DELETED		
529	412T1001-15		DELETED		
-532	412T1001-16		DELETED		
535	412T1003-2		DELETED		
-538	412T1003-1		DELETED		
541	NAS6603-3		DELETED		
544	AN960PD10		DELETED		
547	BACR15BA3AD		DELETED		
550	BRM300A3		DELETED		
553	412T1003-3		DELETED		
-557	412T1003-4		DELETED		
560	2055144		DELETED		
563	412T1002-135SP		DELETED		
-566	412T1002-136SP		DELETED		
569	BACR15BB4AD		DELETED		
572	WS1-332A8		DELETED		
575	NAS1801-3-12		DELETED		
578	MS35338-43		DELETED		
581	AN960D10L		DELETED		
584	MS35650-305S		DELETED		
587	412T1002-137		DELETED		
-590	412T1002-138		DELETED		
593	412T1002-20SP		DELETED		
596	412T3109-3		DELETED		

25-28-14

FIG. & ITEM	PART NO.	AIRLINE PART NUMBER	NOMENCLATURE 1234567	EFF CODE	QTY PER ASSY
03-					
-599	412T3109-4		DELETED		
602	NAS623-3-1		DELETED		
605	NAS620A10L		DELETED		
608	BACB28AR06A024A		DELETED		
611	412T3109-21		DELETED		
614	412T3109-13		DELETED		
-617	412T3109-14		DELETED		
620	412T3109-5		DELETED		
-623	412T3109-6		DELETED		
626	NAS623-3-1		DELETED		
629	NAS620A10L		DELETED		
632	BACB28X4C005		DELETED		
635	412T3109-15		DELETED		
-638	412T3109-16		DELETED		
641	BACB30LU3-9		DELETED		
644	AN960PD10L		DELETED		
647	H10-3BAC		DELETED		
650	HL441UC8-8		DELETED		
653	AN960C416L		DELETED		
656	H01-4BAC		DELETED		
659	412T2046-3		DELETED		
-662	412T2046-4		DELETED		
665	412T2013-3		DELETED		
668	HL19PB10-24		DELETED		
671	AN960C516		DELETED		
674	H01-5BAC		DELETED		
677	BACB28Z5-025		DELETED		
680	412T2010-7		DELETED		
683	ART4E125		DELETED		
686	10-60779-103L		DELETED		
689	AN316-5R		DELETED		
692	AN316-5L		DELETED		
695	412T2010-8		DELETED		
698	412T2047-1		DELETED		
701	NAS623-3-1		DELETED		
704	NAS620A10L		DELETED		
707	413T1130-23		DELETED		
-710	413T1130-24		DELETED		
713	413T1007-115SP		DELETED		
-716	413T1007-116SP		DELETED		
719	413T1007-10SP		DELETED		
722	NAS1836-3-11		DELETED		
725	413T1013-495		DELETED		
-728	413T1013-496		DELETED		
731	413T1013-21		DELETED		

25-28-14

 ILLUSTRATED PARTS LIST
 01.1 Page 1086P
 Jan 01/91

FIG. & ITEM	PART NO.	AIRLINE PART NUMBER	NOMENCLATURE	EFF CODE	QTY PER ASSY
			1234567		
03-					
-734	413T1013-22		DELETED		
737	NAS1836-3-07		DELETED		
740	413T1013-613		DELETED		
-743	413T1013-614		DELETED		
746	NAS1836-3-11		DELETED		
749	NAS1836-3-400		DELETED		
752	SL2334-3A2		DELETED		
755	413T1013-611		DELETED		
-758	413T1013-612		DELETED		
761	NAS1836-3-11		DELETED		
762	NAS1834A4-400		DELETED		
764	NAS1834A3-400		DELETED		
765	NAS1834C5-400		DELETED		
767	NAS1836-08-11		DELETED		
768	SL618-3A		DELETED		
770	413T1013-101		DELETED		
-773	413T1013-102		DELETED		
776	NAS1836-3-11		DELETED		
779	NAS1834A3-400		DELETED		
782	BAC29PPS2176		DELETED		
785	BAC29PPS2172		DELETED		

25-28-14